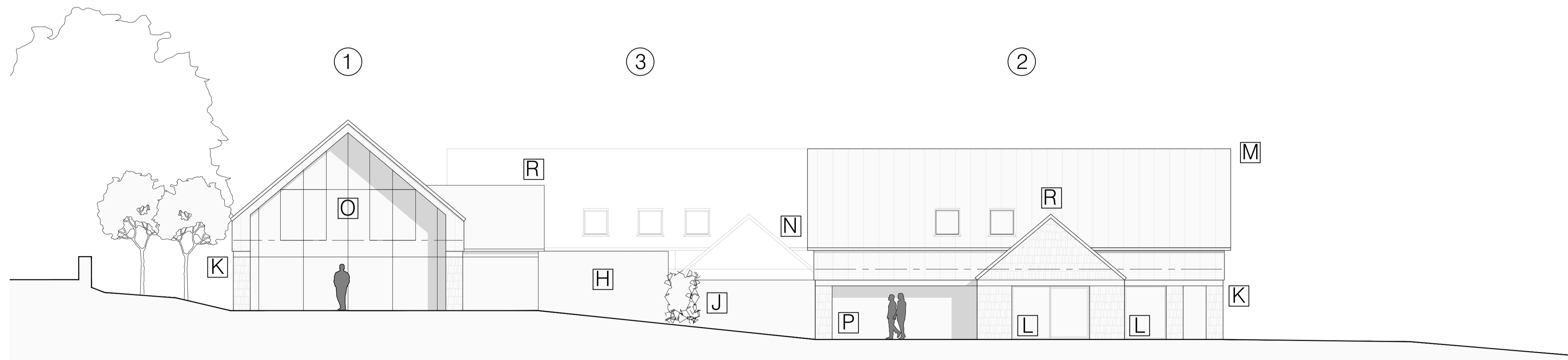
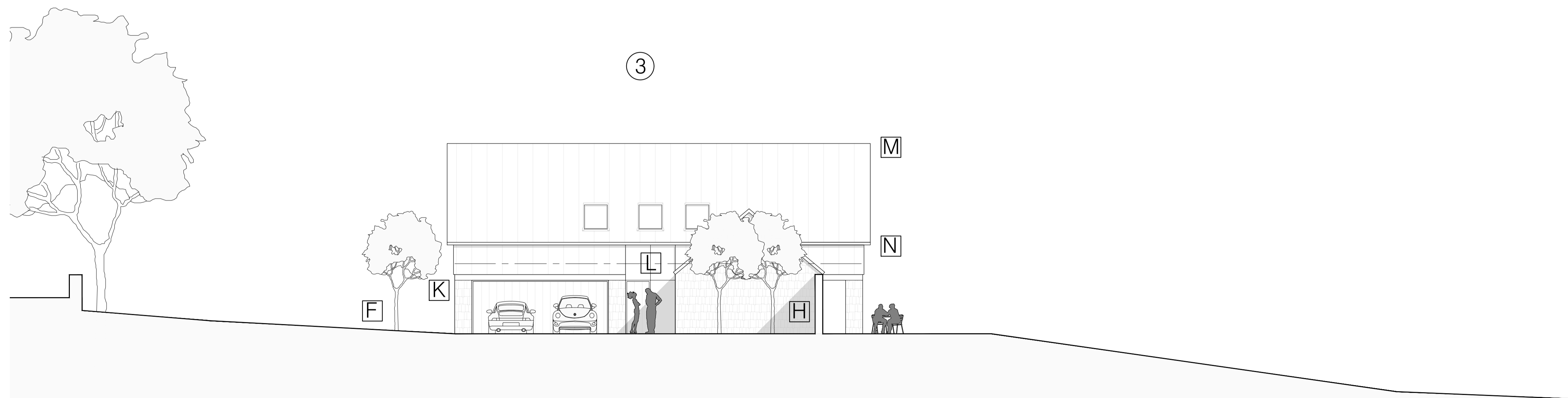


Moor Elevation 1: 100



Garden Elevation 1: 100

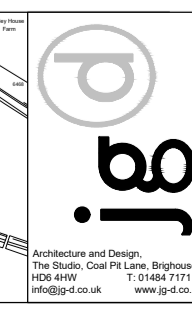
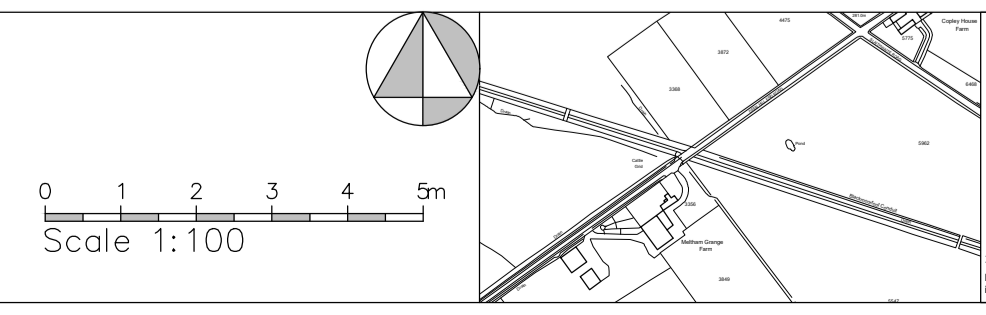


Courtyard Elevation 1: 100

- Notes:
- A_Deer Hill End Road
 - B_Existing gated access and track to Meltham Grange Farm
 - C_Concrete Yard
 - D_Outline of existing portal framed agricultural storage buildings with blockwork plinth/ profiled metal wall and roof cladding to be demolished
 - E_Proposed new Farmyard with notional driveway, parking apron undertaken in accordance with MHCLG note on the permeable paving of front gardens
 - F_Low level planting as specialist detail
 - G_Visitor space with aggregate surfacing retained in geo-grid
 - H_Stone enclosing wall to courtyard with gated access points to private garden areas
 - I_Paved perimeter footpath and seating areas linked to courtyard as specialist detail
 - J_Timber post and rail fencing/ indigenous hedging to define plots
 - K_Coursed natural stone plinth to match farmhouse with feature string course
 - L_Ppc aluminium windows and doors in opening formed in walling as SE detail
 - M_Standing seam wall and roof cladding with proprietary rooflights installed in line with manufacturers recommendations.
 - N_Seamless metal gutters and downpipes linked to S/ w drainage
 - O_Recessed glazed elevation as specialist detail to meet AD_O requirements
 - P_Covered ramped approach to entrance door with oversize door and level threshold
 - Q_Double height entrance space with rooflight over
 - R_Single storey snug space with open ceiling and garden access
 - S_Island kitchen as specialist detail
 - T_Feature timber return stair with open landing
 - U_En-suite bathroom with sanitaryware linked to new drainage
 - V_Study space with rooflight
 - W_Refuse/ recycling storage
 - X_Indicative drainage subject to specialist detail
 - Y_Proposed packaged treatment plant with service access from existing track.
 - Z_Drainage field as specialist detail defined by existing/ new fencing

Drawings based on Ordnance Survey (Streetwise License No 100047474) and preliminary survey - design and drawing content subject to further Site Surveys, Structural Survey, Site Investigations, Planning and Statutory Requirements and Approvals.

A Planning submission June 26
 Rev. Des. Date



| | | | |
|-----------|------------------------------------------------------------------------------------|--|---|
| Project | Proposed replacement dwellings at Meltham Grange Farm, Deer Hill End Road, Meltham | | |
| Client | Mrs Maxine Parker, Meltham Grange Farm, Deer Hill End Road, Meltham HD9 5PT | | |
| Dwg Title | (25430)9_Western Elevations | | A |
| Scale | 1: 100 @ A1 | | |
| Date | Apr 26 | | |