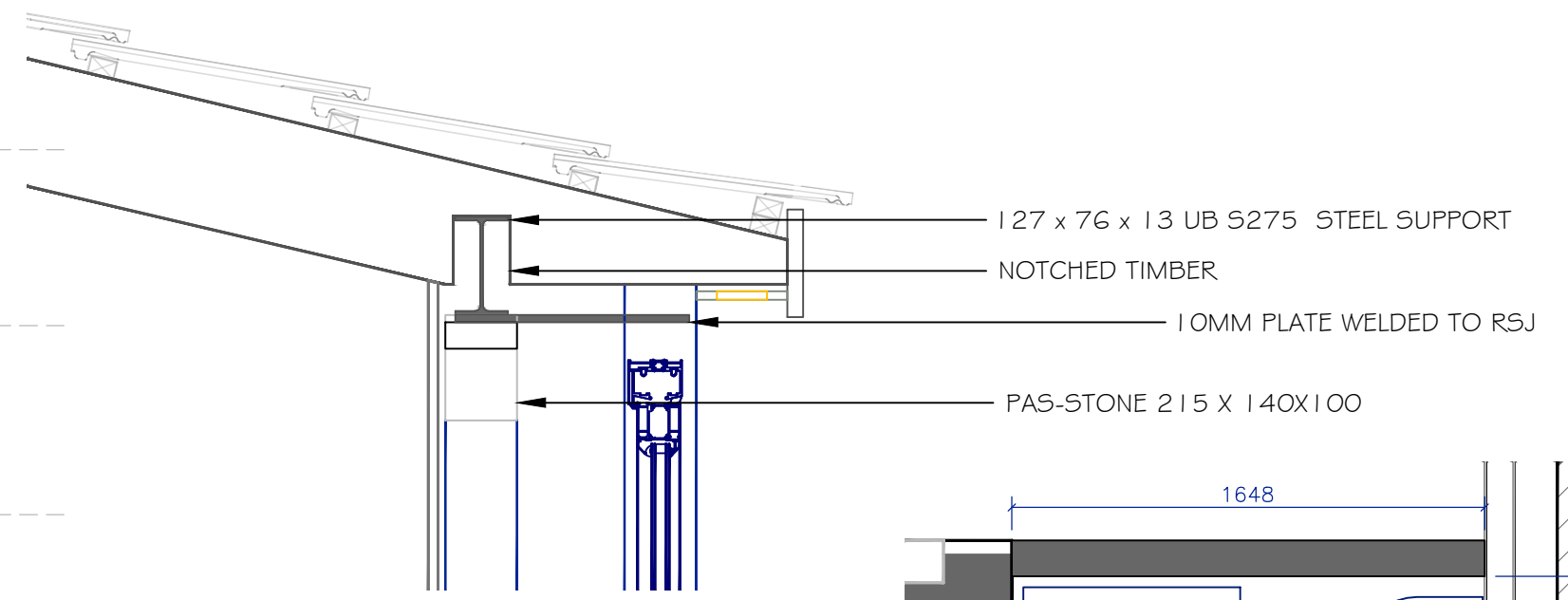


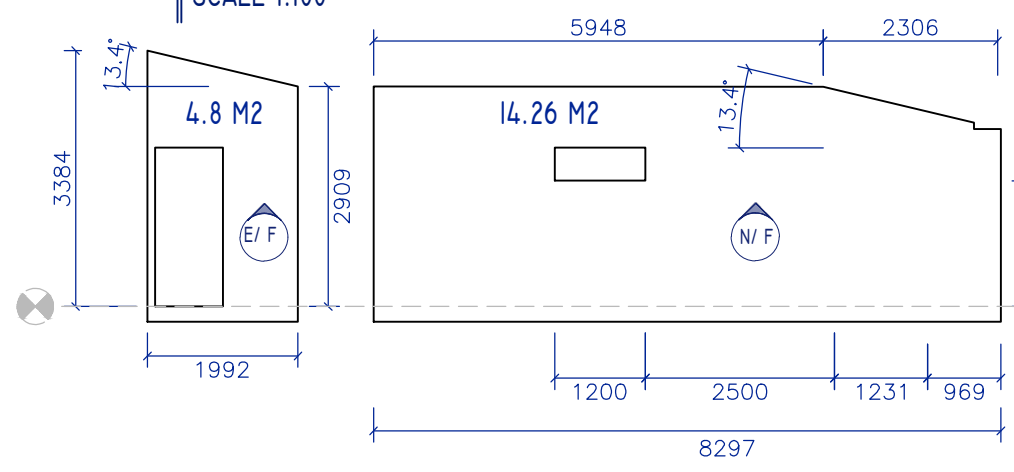
NORTH ELEVATION

SCALE 1:100

GAS METER

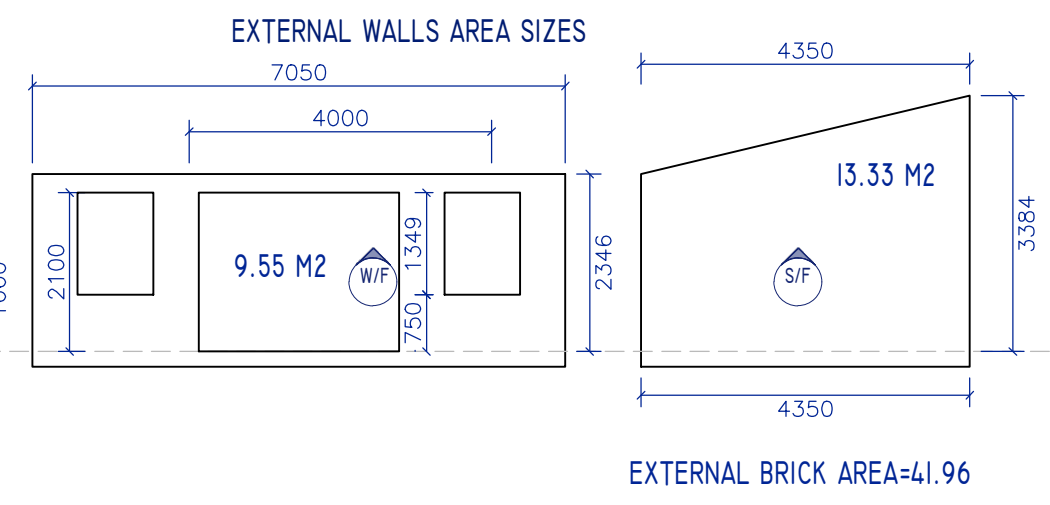


- 127 x 76 x 13 UB S275 STEEL SUPPORT
- NOTCHED TIMBER
- 10MM PLATE WELDED TO RSJ
- PAS-STONE 215 X 140X100



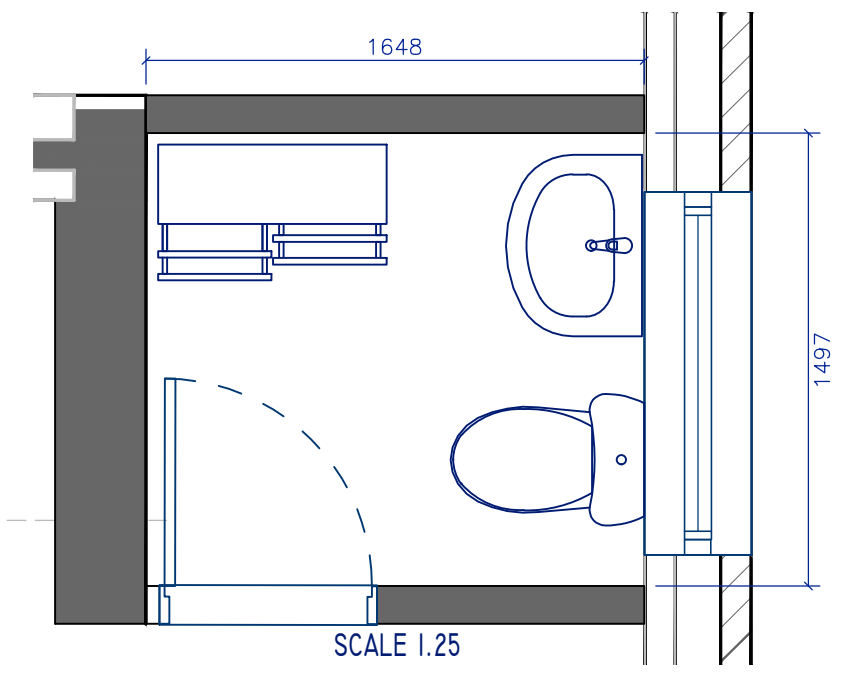
EAST ELEVATION

SCALE 1:100



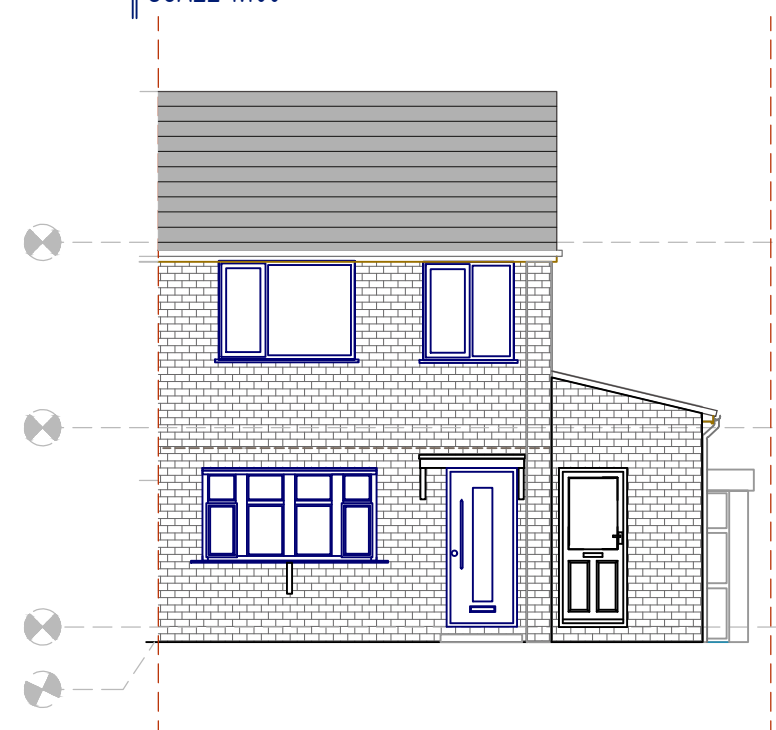
WEST ELEVATION

SCALE 1:100



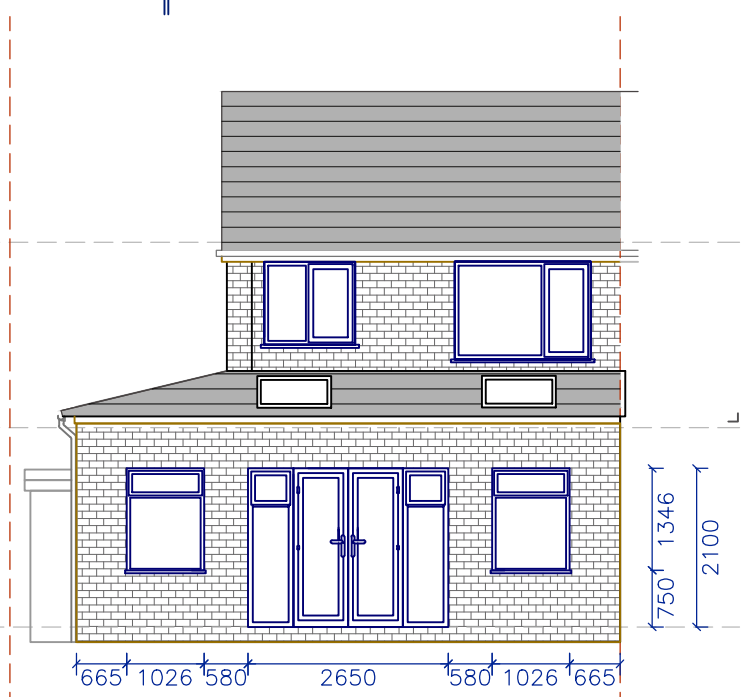
SOUTH ELEVATION

SCALE 1:100



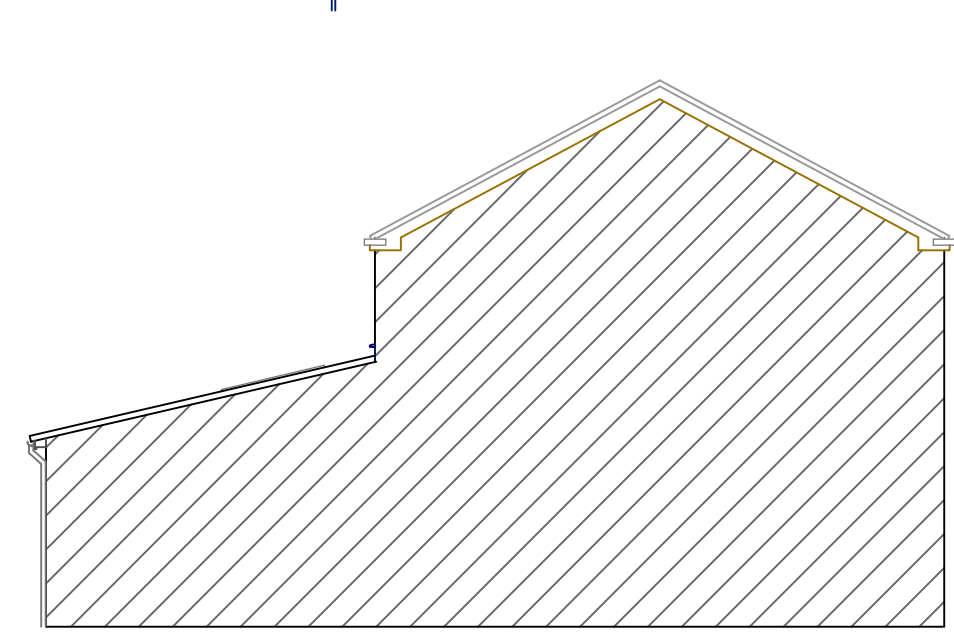
EAST ELEVATION

SCALE 1:100



WEST ELEVATION

SCALE 1:100



SOUTH ELEVATION

SCALE 1:100

Scale 1:50



DRAWING VIEWS	
PROPOSED ELEVATIONS	
DRAWN BY:	PG
DATE	18/05/2026
ADDRESS	15 POLLARD AVENUE BD19 4PP
NAME	CONNER
REFERENCE	
SCALE:	1:100 SHEET SIZE: A3
DRAWING REF:	UNIT: MM



GC. ARCHITECTURAL DESIGN
Construction Drawings

CONTACT NO
07791359431-01132534971
E-MAIL :
paul@architectural-leeds.uk