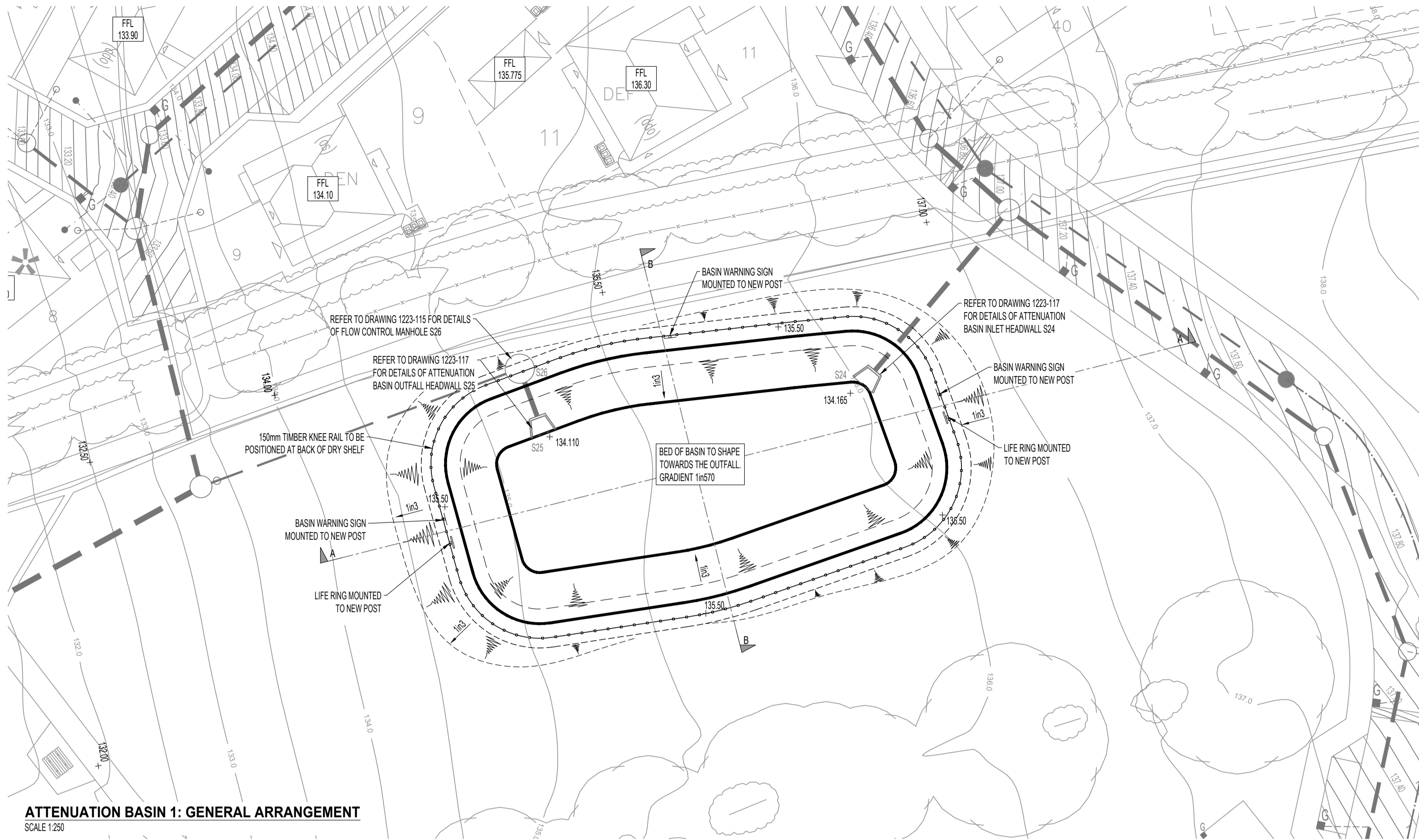


NOTES:

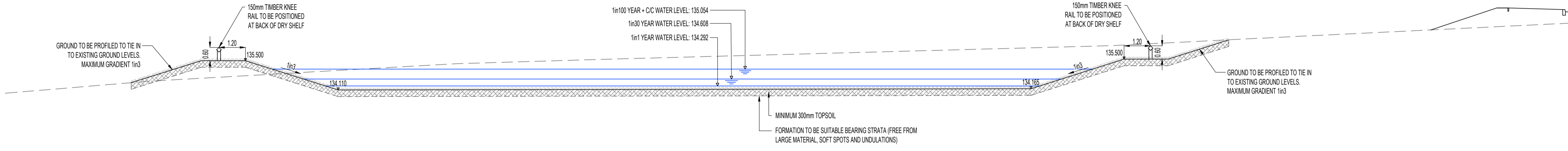
- THIS DRAWING IS BASED UPON:
 - JRP SITE LAYOUT 22-5611-01AG (FORTEM AMENDED);
 - HAYCOCK AND TODD SITE SURVEY DRAWING S10979 DATED OCTOBER 2024;
 - SMEEDEN FOREMAN TREE PROTECTION PLAN DRAWING 21367-SFH-XX-XX-DR-L-TPP01 & TPP02 REV C DATED OCTOBER 2024;
 - ORDNANCE SURVEY MAPS.
- THIS DRAWING SHOULD BE READ IN CONJUNCTION WITH FORTEM EXTERNAL WORKS DRAWINGS 1223-150 & 151 FOR FULL DEVELOPMENT DETAILED DESIGN LEVELS.

KEY:

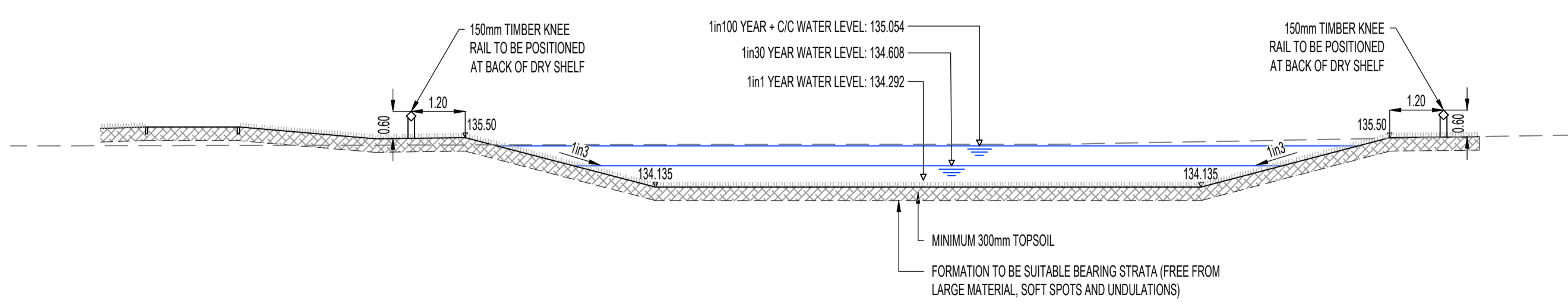
- PROPOSED FOUL WATER SEWER / MANHOLE (S104)
- PROPOSED SURFACE WATER SEWER / MANHOLE (S104)
- PROPOSED FOUL WATER RISING MAIN (S104)
- PROPOSED FOUL WATER LATERAL / DEMARCATION CHAMBER
- PROPOSED SURFACE WATER LATERAL / DEMARCATION CHAMBER
- ROAD/HIGHWAY GULLY (DG DENOTES DOUBLE GULLY) (S38)
- 134.00 PRIMARY CONTOURS
- SECONDARY CONTOURS



ATTENUATION BASIN 1: GENERAL ARRANGEMENT
SCALE 1:250



SECTION A-A
SCALE 1:100



SECTION B-B
SCALE 1:100

THIS DRAWING IS SUBJECT TO THE APPROVAL OF: THE WATER AUTHORITY

Rev	Date	Amendments	By
E	25.02.26	Amended to suit revised site layout and client requirements.	JOH
D	16.01.26	Site layout updated.	JOH
C	27.11.25	Site layout updated.	JOH
B	24.11.25	Site layout updated.	JOH
A	08.10.25	Site layout updated.	LS

Rev	Date	Amendments	By
Drawing Status: TENDER PACK			

FORTEM

FORTEM Civil Engineering Consultants Ltd
T. 07377 556170 / 07748 982468
E. info@fortemconsultants.co.uk
W. www.fortemconsultants.co.uk

Client: MILLER HOMES

Project: HERMITAGE PARK, LEPTON

Drawing Title: ATTENUATION BASIN DETAILS BASIN 1

Drawn: JC	Scale: AS SHOWN @ A1
Checked: ML	Date: MAY 2025

Drawing No. 1223 - 114	Rev. E
------------------------	--------

C:\Users\jameshead\OneDrive\FORTEM\Projects\1223 - Hermitage Park\Lepton2_Drawings\1_FORTEM\Drawings\1223 - 114 - 116 - Attenuation Basin Details.dwg 25 Feb 2025 - 10:30am