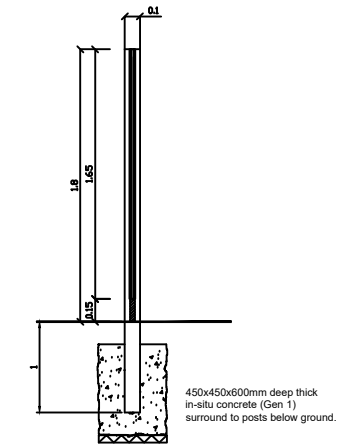
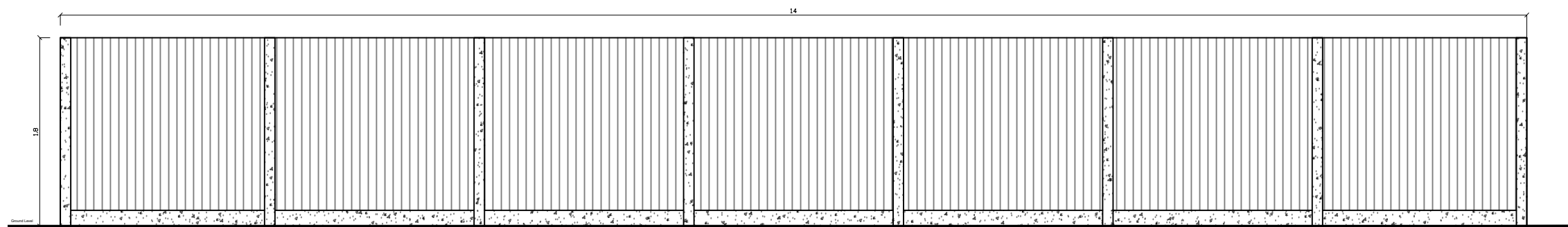


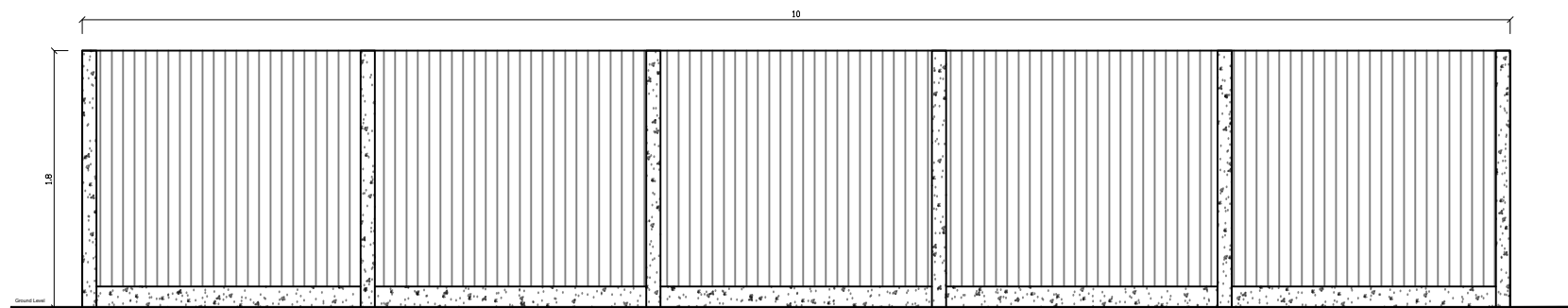
**Front Elevation**  
Scale 1:50



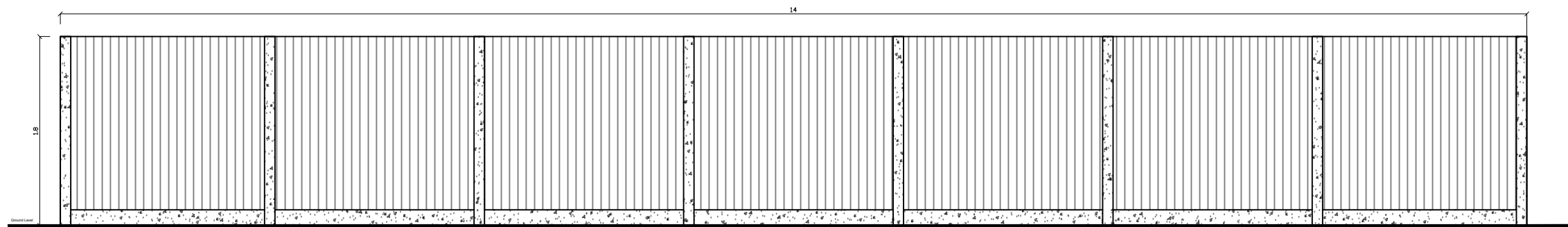
**SECTION**  
Scale 1:50



**Side Elevation**  
Scale 1:50



**Rear Elevation**  
Scale 1:50



**Side Elevation**  
Scale 1:50

Rev.	Description	Drawn	Date
------	-------------	-------	------

**miller homes**

Miller Homes Ltd - Yorkshire  
Lapwing House  
Peel Avenue, Calder Park  
Wakefield  
West Yorkshire, WF2 7UA

Telephone 0870 336 4600  
Fax 0870 336 4602  
www.millerhomes.co.uk

Project Title  
**Woodsome View,  
Lepton**

Drawing Title  
**Foul Pump Station Elevations  
(1.8m High Close Board Mortice  
Fencing Set in Concrete Posts with  
Concrete Gravel Board)**

Scale	Drawn By	Checked By	Authorised By
1:50	JW	LG	
	Date Mar' 26	Date Mar' 26	Date

Job No.	Drawing No.	Revision
811110	PS-01	-

Original Sheet Size A3