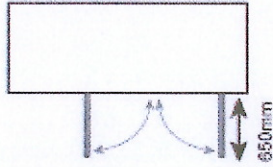


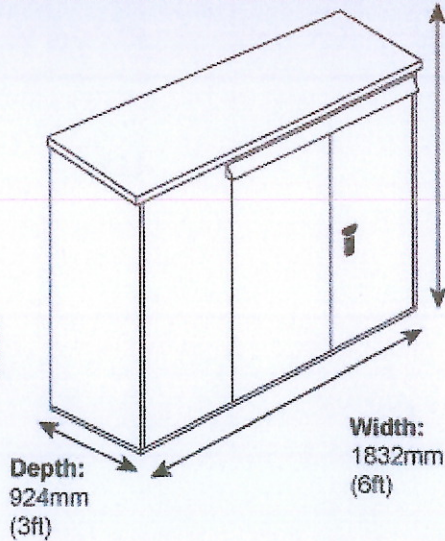
EXTERNAL MEASUREMENTS

INSURANCE APPROVED BIKE STORAGE

Weight:
138kg (21.7 stone)
Door Aperture:
1180mm (3ft 10") x
1140mm (3ft 9")



Door Clearance
650mm
(2ft 1")



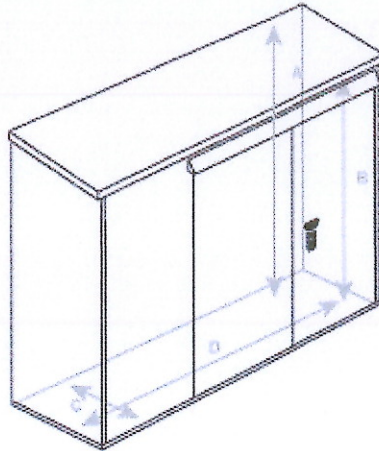
Height
(at rear):
1444mm
(4ft 7")

Width:
1832mm
(6ft)

Depth:
924mm
(3ft)

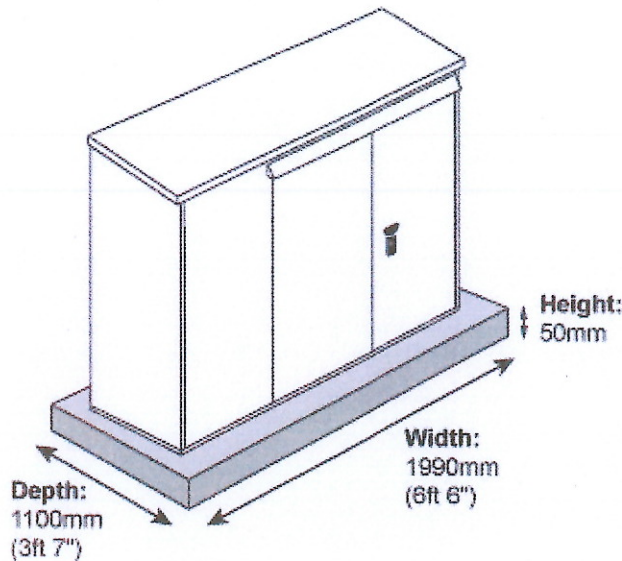
INTERNAL MEASUREMENTS

A. Internal Height
(at rear):
1440mm (4ft 8")
B. Internal Height
(at front):
1335mm (4ft 4")
C. Internal Depth:
810mm (2ft 7")
D. Internal Width:
1725mm (5ft 7")



BASE SIZE

Base Size:
1990mm (6ft 6") x
1100mm (3ft 7")
Base Depth:
Min. 50mm
Recommended:
Concrete,
Tarmac,
Paving Flags



Height:
50mm

Width:
1990mm
(6ft 6")

Depth:
1100mm
(3ft 7")

GREEN ASCARD SHELTER. HEAVY GAUGE GALV. STEEL PANELS. HEAVY BUTY GROUND BOLTS. 5 POINT LOCKING SYSTEM WITH DRILL / PICK RESISTANT LOCKS. INDIVIDUAL STORAGE TO ALL PLOTS. MOTOR CYCLES CAN BE SECURED IN EACH REAR GARDEN AREA.