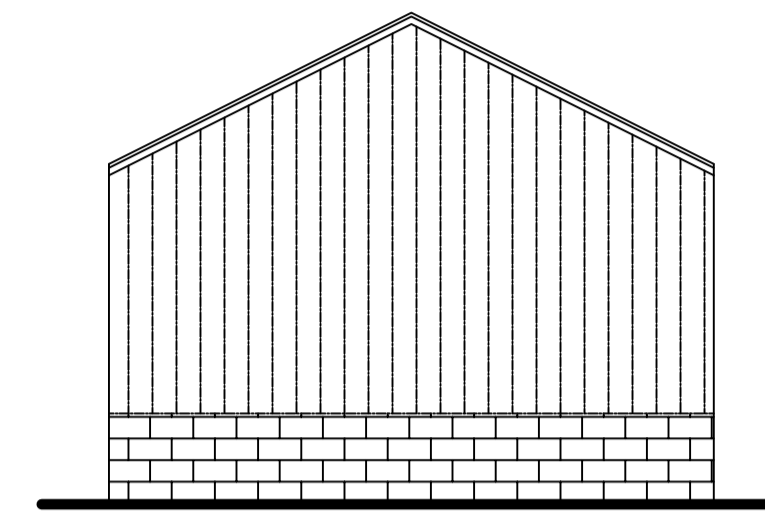
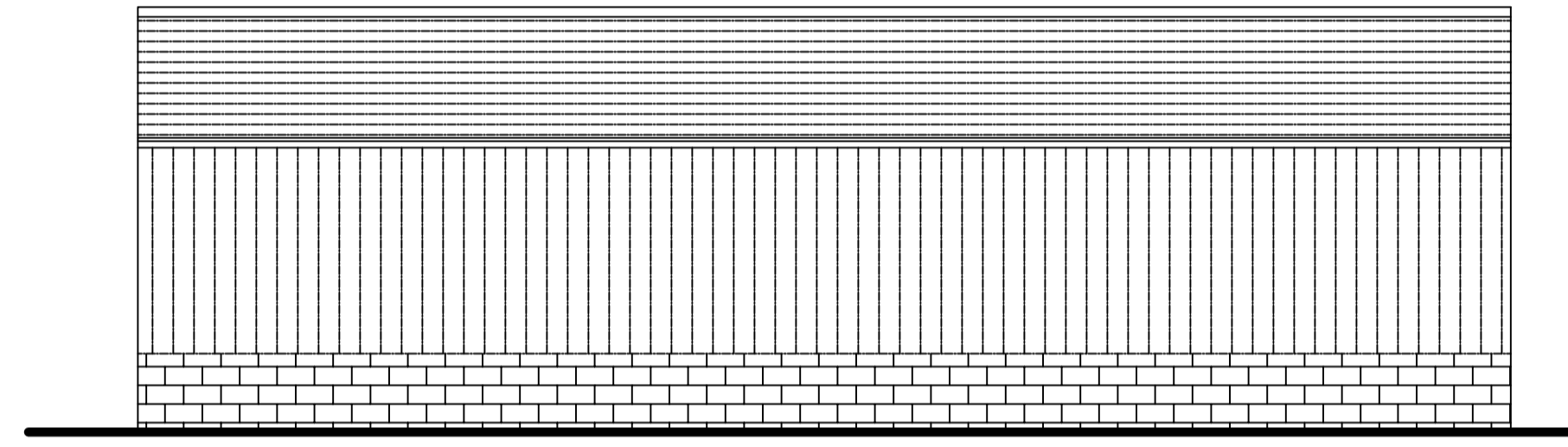


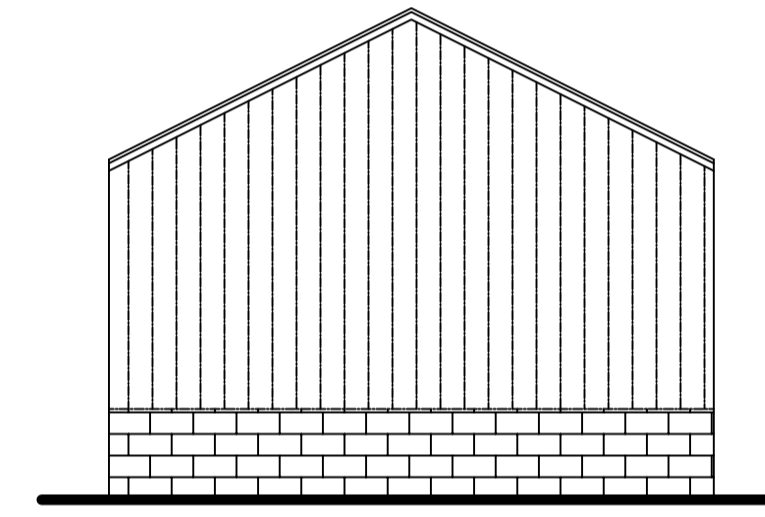
PROPOSED FRONT ELEVATION



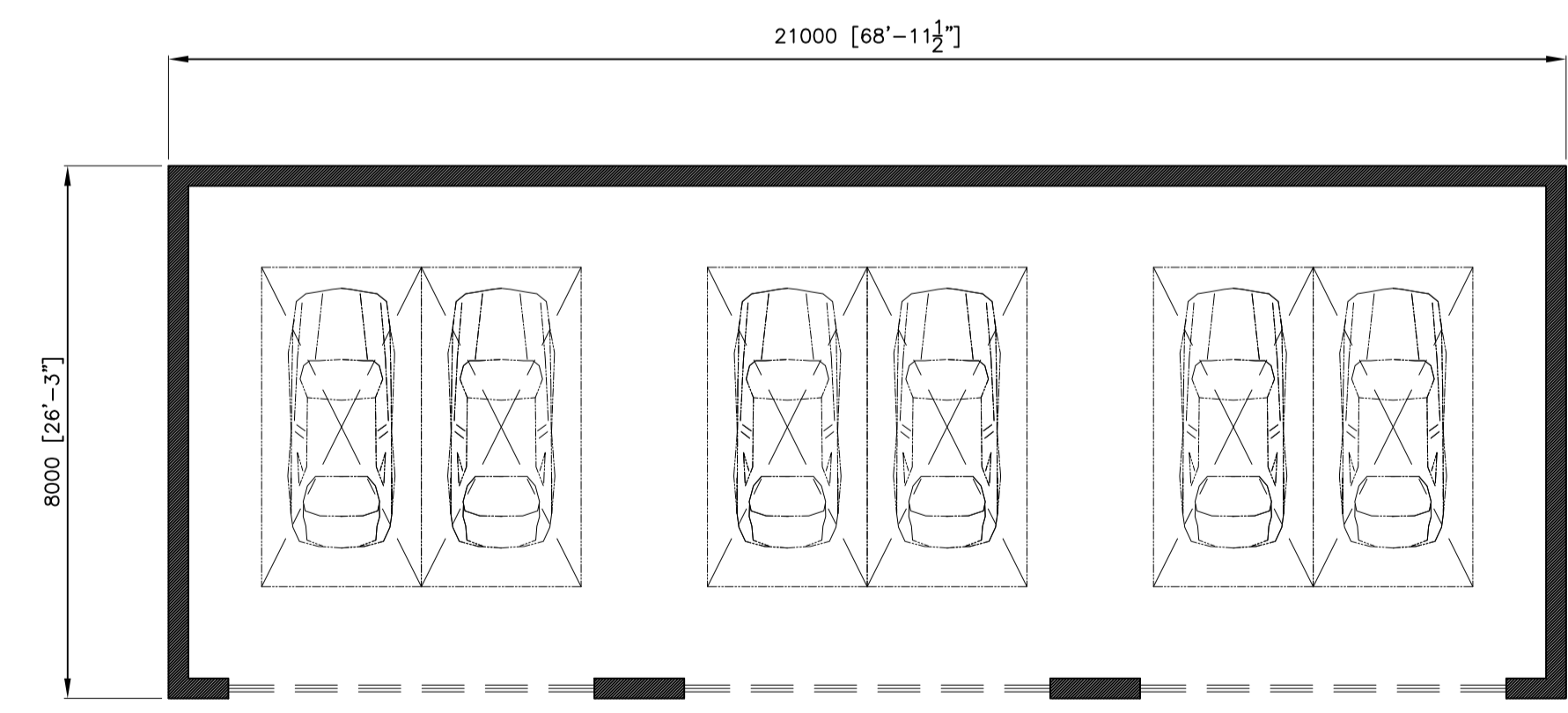
PROPOSED SIDE ELEVATION



PROPOSED REAR ELEVATION



PROPOSED SIDE ELEVATION



PROPOSED GROUND FLOOR PLAN

Note;

ALL WORK TO BE CARRIED OUT IN ACCORDANCE WITH THE CURRENT BUILDING REGULATIONS & CODES OF PRACTICE.

ALL DIMENSIONS TO BE CHECKED ON SITE. DO NOT SCALE FROM THIS DRAWING.

ALL WORKS UNDERTAKEN TO THE SATISFACTION OF BUILDING CONTROL INSPECTORS.

Rev:	A	REDUCED PROPOSAL	27.02.26
Revision Note:			Date:
Client:	MR A. AZEEM		
Project:	125 WELLINGTON STREET, BATLEY, WF17 5TH.		
Title:	PROPOSED ELEVATIONS		
Scale:	1:100@A1	Date:	JAN 26
Drawing No:	2611-3	Revision:	A

KMS CONSULTANTS & ASSOCIATES LTD
 M - 07939 545 564 T - 0845 111 0945
 E - kmsconsultants@gmail.com