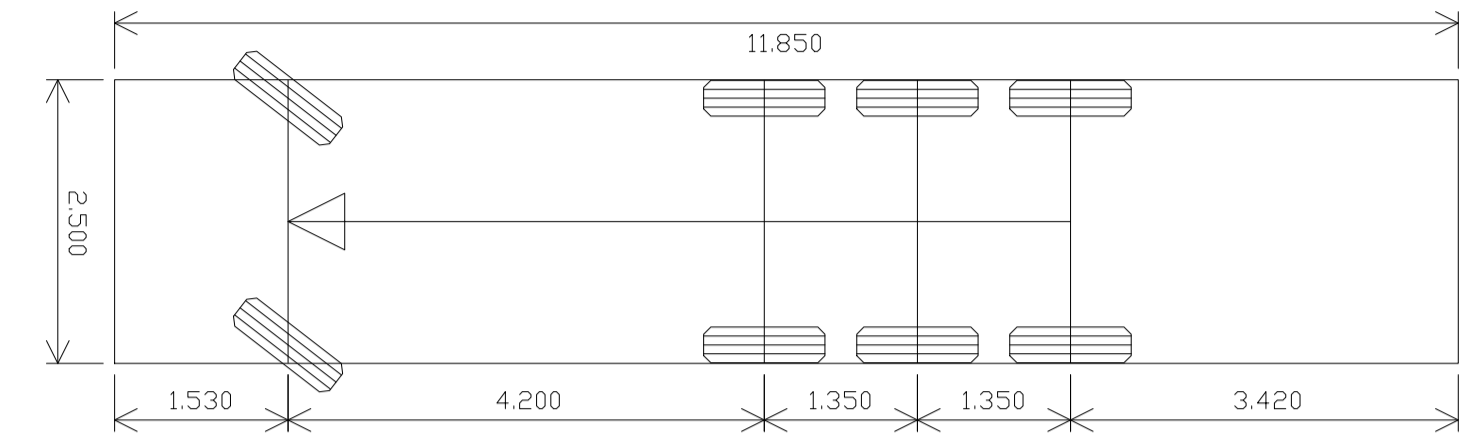


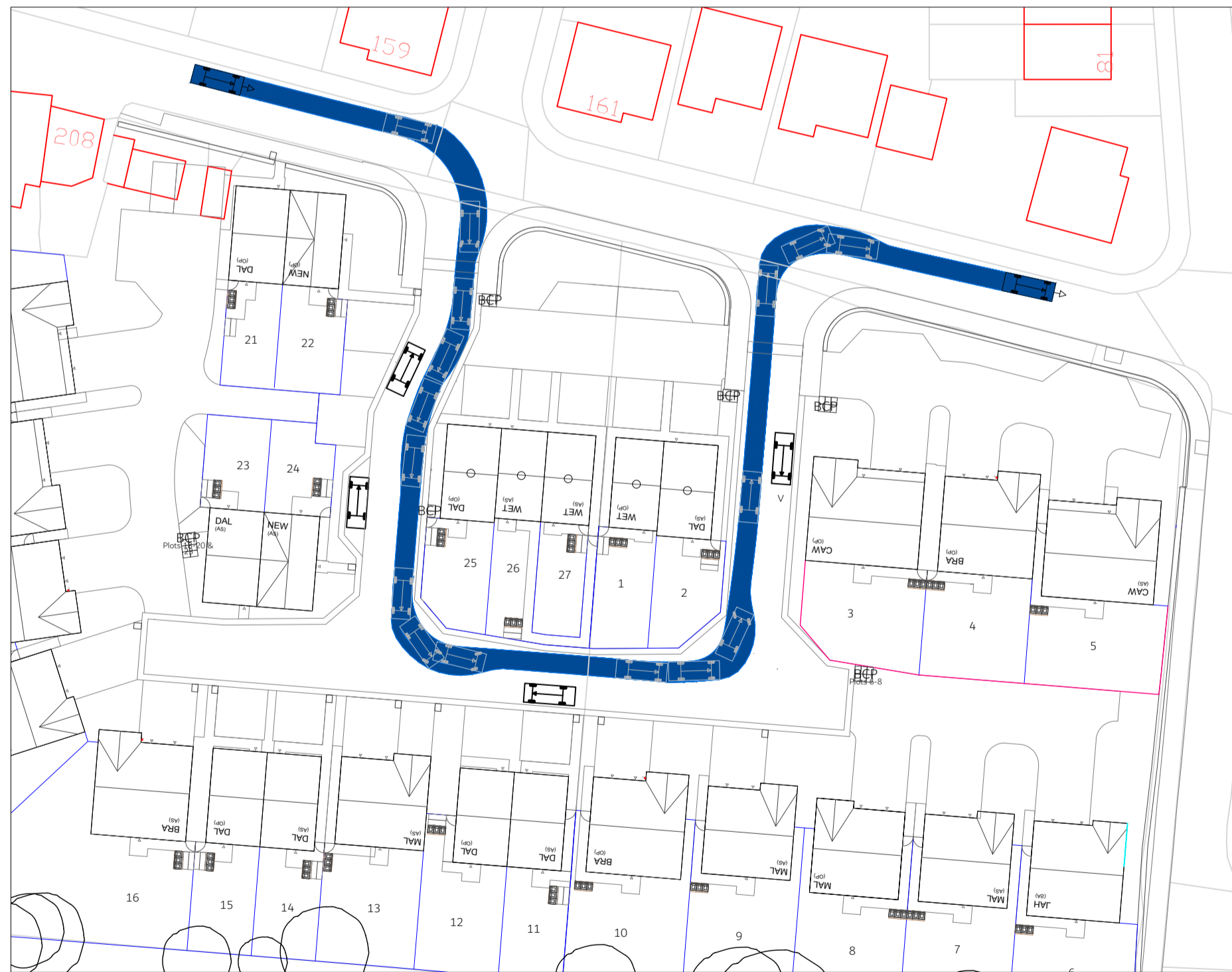
Refuse lorry - East to west



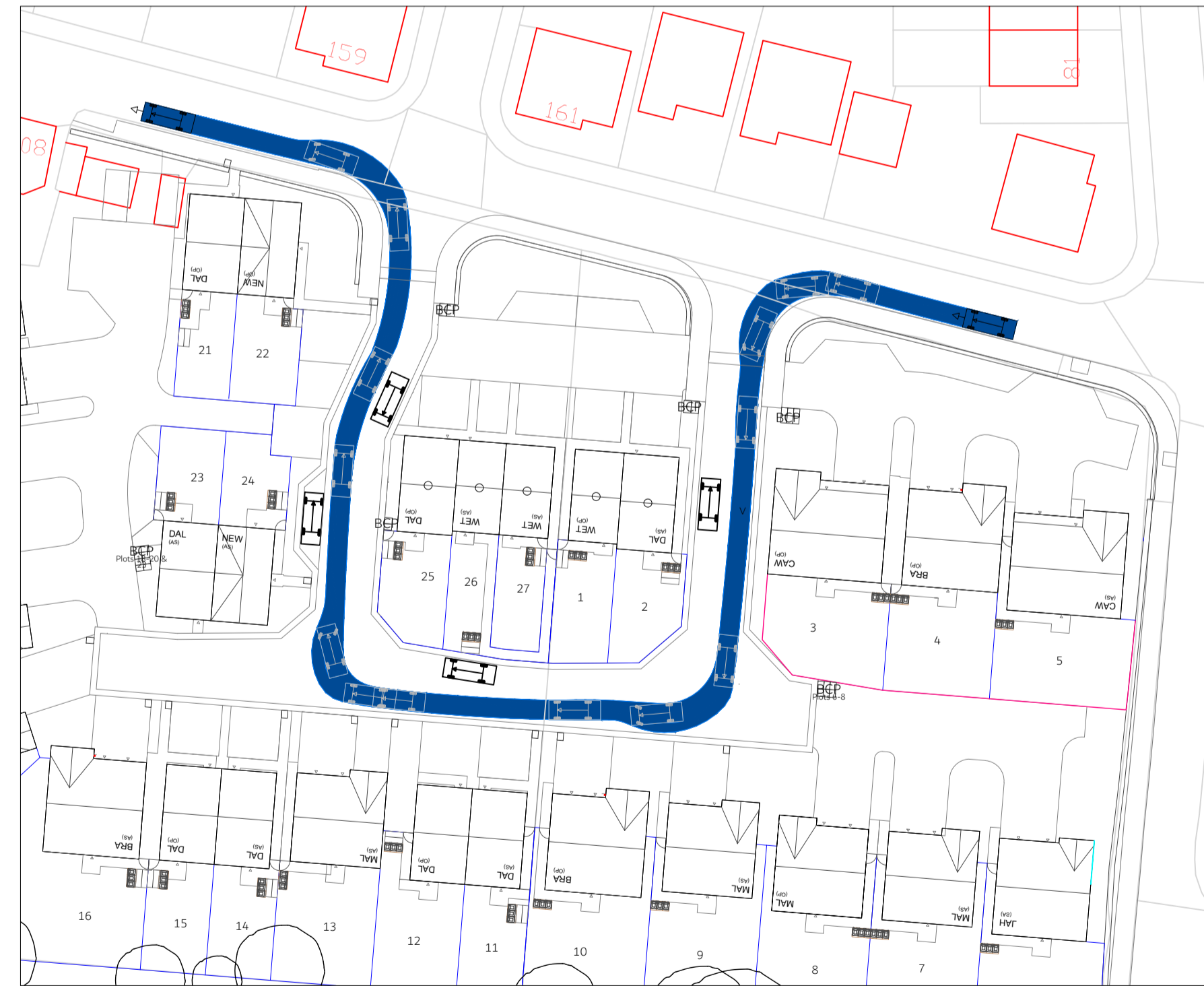
Refuse lorry - West to east



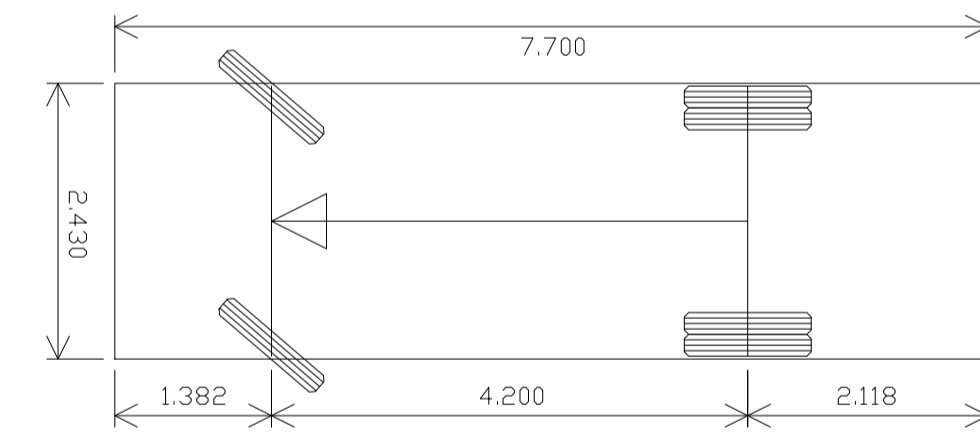
Vehicle name Kirklees Bin Lorry
 Description Kirklees Bin Lorry
 Overall length (m) 11.850
 Overall width (m) 2.500
 Maximum track width (m) 2.490
 Wall to wall radius (m) 11.000



Large car - East to west



Large car - West to east



Vehicle name Dennis Sabre fire tender LWB
 Description Dennis Sabre fire tender LWB
 Overall length (m) 7.700
 Overall width (m) 2.430
 Maximum track width (m) 2.380
 Kerb to kerb radius (m) 7.400

B	Layout updated	11-9-25	AST
A	Layout updated	12-6-25	AST
Rev	Details	Date	Drwn Chk

Newett Homes

Yew Tree Road
 Birchencliffe, Huddersfield

Swept path analysis

Dwg No. : STE/25/03/16 B

Date : 15-5-25

Scale : 1:500

Copyright © Shaun Tonge Engineering

SHAUN TONGE
 ENGINEERING

11 Broomhead Road, Wombwell, Barnsley, S73 0SA.
 Mobile 07528 278070 - Email shauntongeengineering@yahoo.co.uk