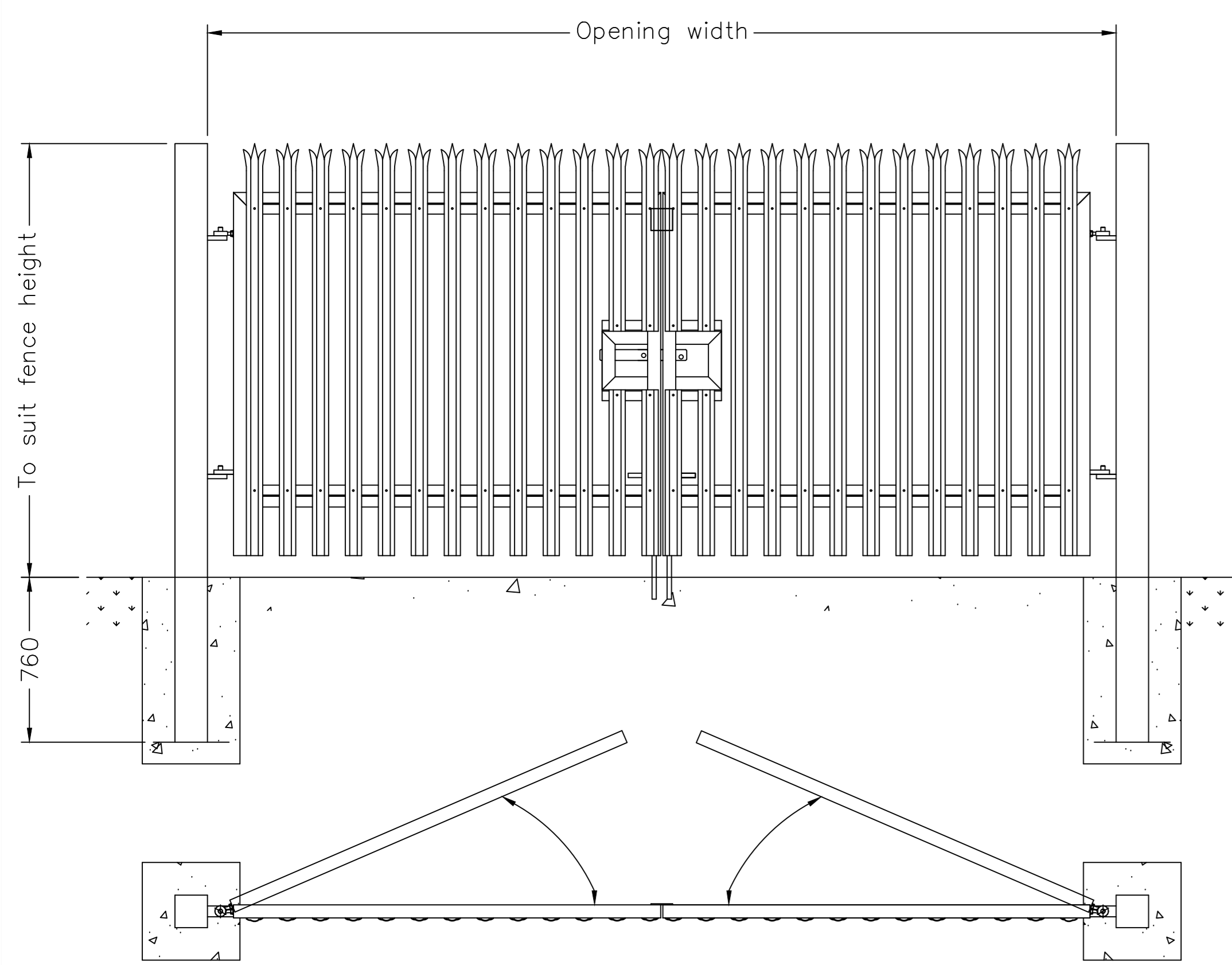
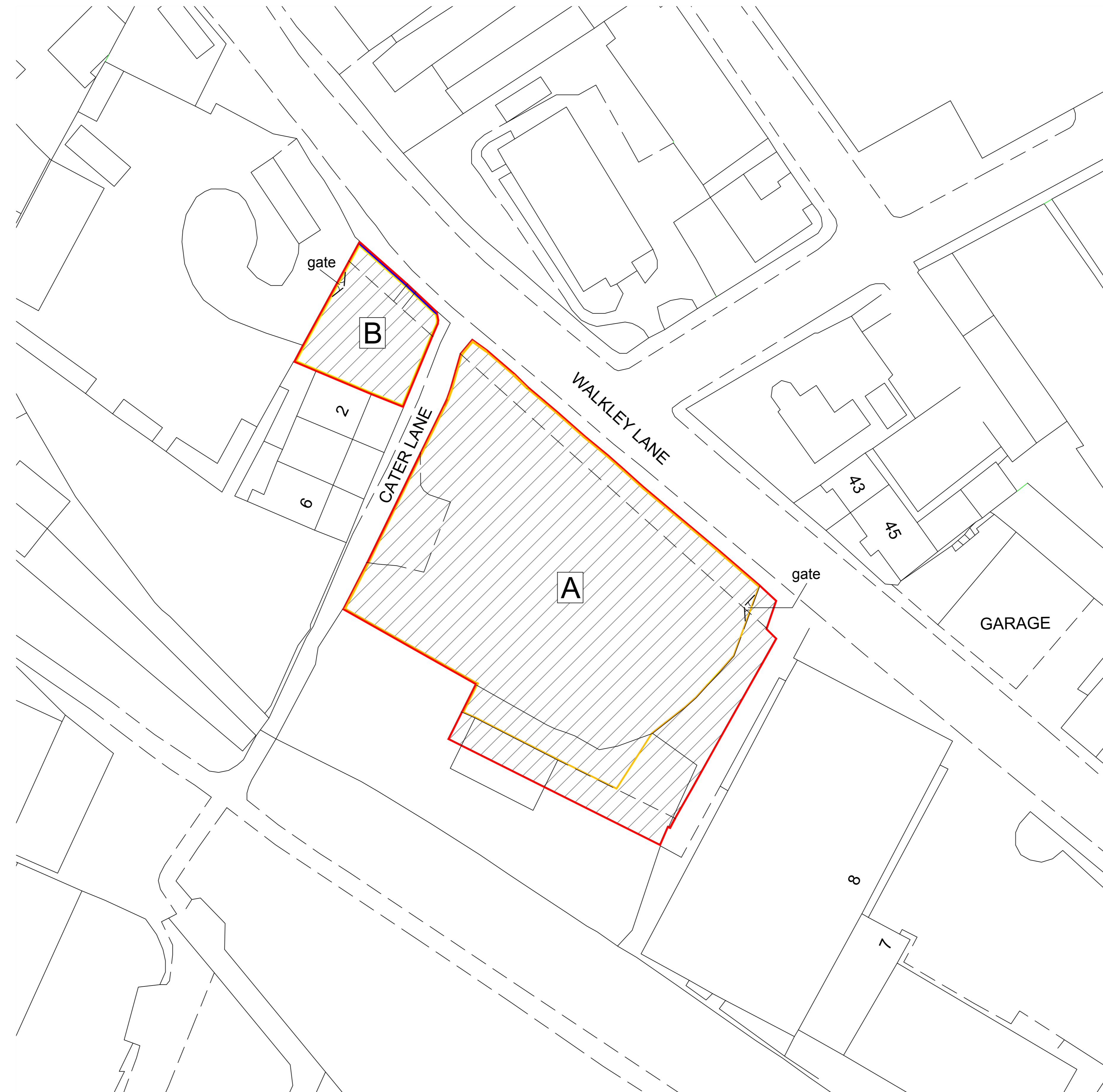


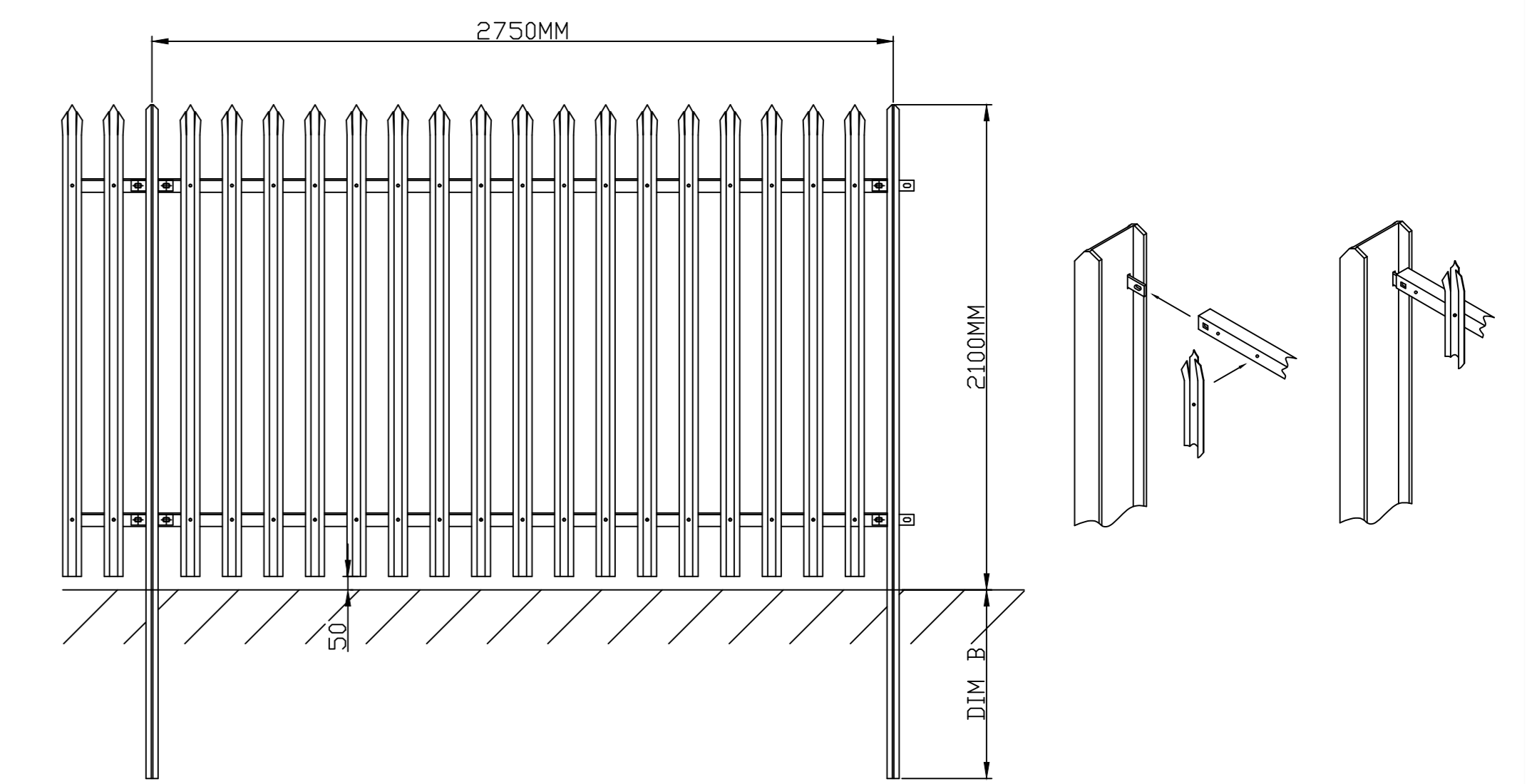
FENCING DETAIL (FOR SITE B)
SCALE 1:20 @A0



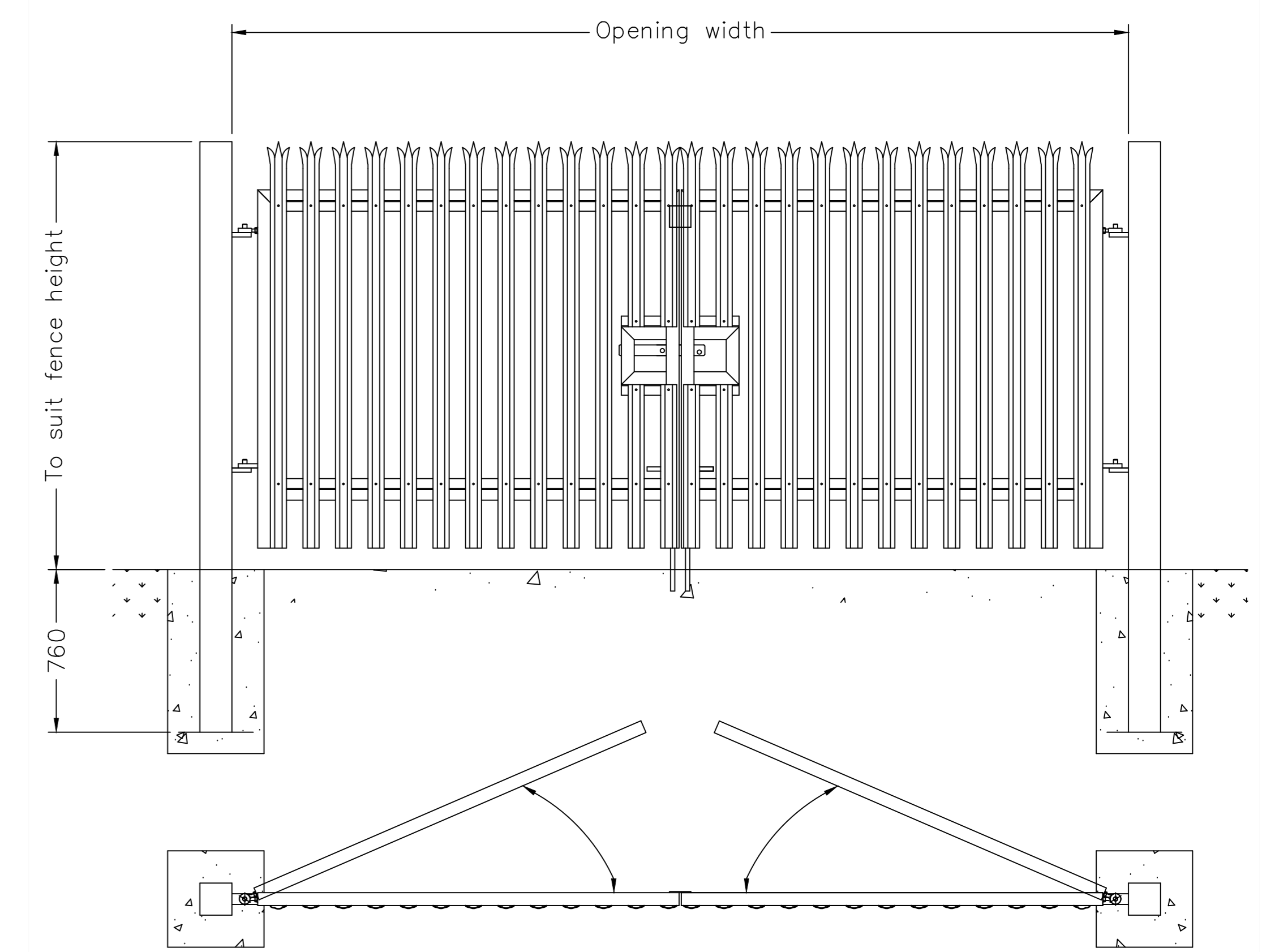
GATE DETAIL (FOR SITE B)
SCALE 1:20 @A0



SITE PLAN
SCALE 1:200 @A0





FENCING DETAIL (FOR SITE A)
SCALE 1:20 @A0



GATE DETAIL (FOR SITE A)
SCALE 1:20 @A0

KEY -

 red line boundary
(land owned by applicant)

 existing wall (to be removed)

 proposed palisade
fencing (2.1m)

This drawing is the copyright of the ARCHITECTURAL CONSULTANT and no reproduction is allowed without prior permission. All Drawings must be checked and verified prior to commencement of work on site. All dimensions are in millimeters. Anyone using this drawing e.g. Contractor, Client, Supplier is to check all dimensions on site prior to carrying out work or ordering of materials. FOR PLANNING PURPOSES ONLY

DRAWING ISSUE: <input type="checkbox"/> DRAFT PROPOSALS <input checked="" type="checkbox"/> PLANNING APPROVAL <input type="checkbox"/> BUILDING REGULATIONS <input type="checkbox"/> TENDERING <input type="checkbox"/> CONSTRUCTION	Drawing No. 10011/001	Client CATER LANE	Scale See DWG @A0
	Drawn By Z.S.	Project FENCING AROUND SITE	Revision A
	Checked By Z.S.	Drawing Title SITE PLAN AND FENCING DETAIL	Date