

1. Tree & Hedge Protection

The Tree & Hedge Protection Zone (THPZ) is established to safeguard all retained trees and hedgerows during construction. The zone ensures that root systems, stems, canopies, and soil conditions are not damaged by site activity.

2. Extent of Protection Zone

The THPZ will be defined in accordance with the Root Protection Areas (RPAs) identified in the Arboricultural Impact Assessment.

Where no formal RPA is given, a minimum distance of 12x the trunk diameter at 1.5m is applied for trees; hedgerows are protected along their full length with a minimum 2m buffer either side.

Protection fencing will fully enclose the zone with no gaps or movable sections unless agreed in writing with the LPA.

3. Protective Fencing Specification

Barriers to comply with BS 5837:2012. See diagram below.

Weld-mesh panels secured to a scaffold frame, braced to resist wind and site activity.

Fencing to be installed before any demolition, stripping, or material delivery.

Clear "TREE PROTECTION AREA – KEEP OUT" signage fixed at 10m intervals.

4. Prohibited Activities Within THPZ

No:

- Excavation or soil stripping
- Storage of materials, spoil, or chemicals
- Mixing concrete or washing out
- Parking of vehicles or plant
- Fires or disposal of waste
- Raising or lowering of soil levels
- Cutting roots without arboricultural supervision

5. Ground Protection (if access is unavoidable)

Only permitted where specified in the Arboricultural Method Statement.

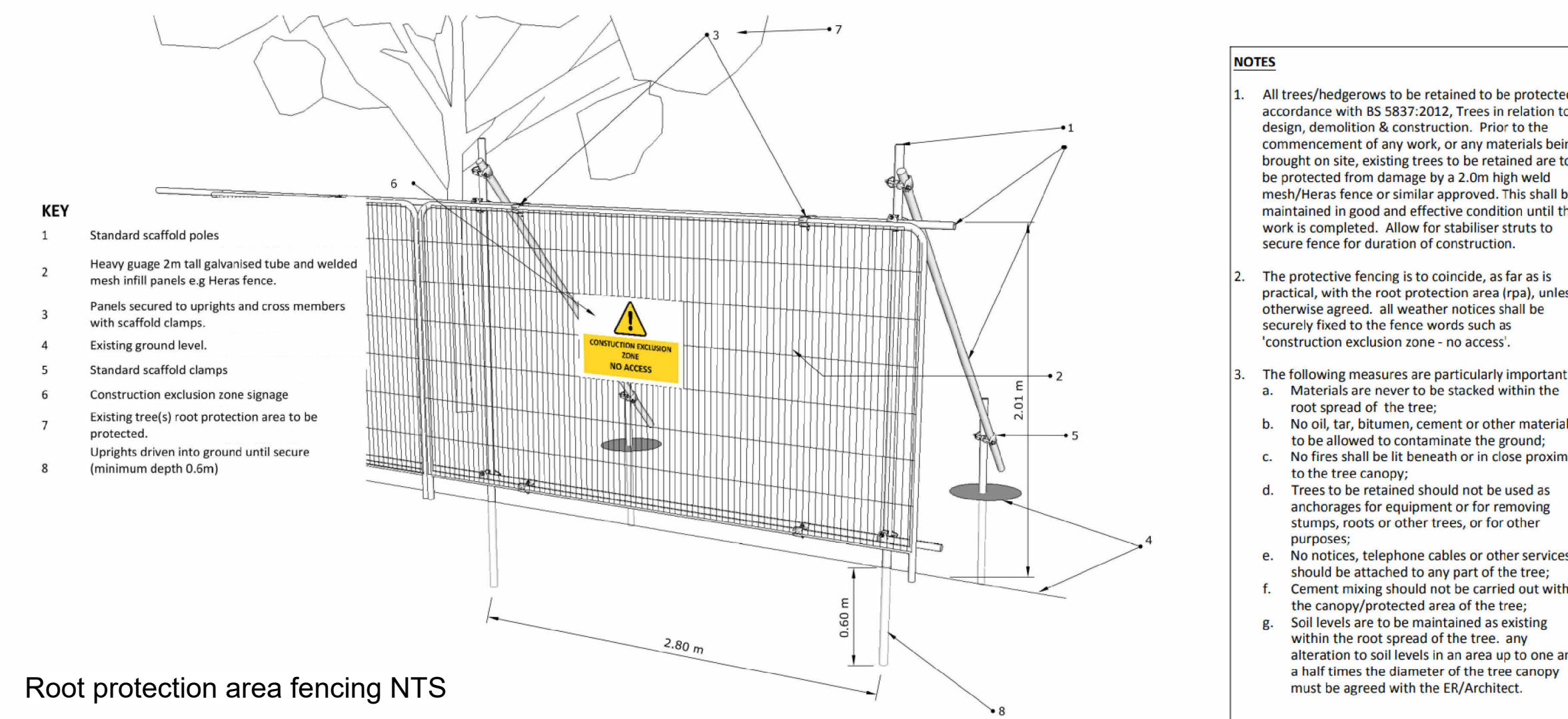
Temporary ground protection may include GeoCell, timber bog mats, or scaffold boards over a compressible layer, installed under arboricultural supervision.

6. Monitoring & Supervision

All tree protection fencing and ground protection to be inspected by the project manager before works start.



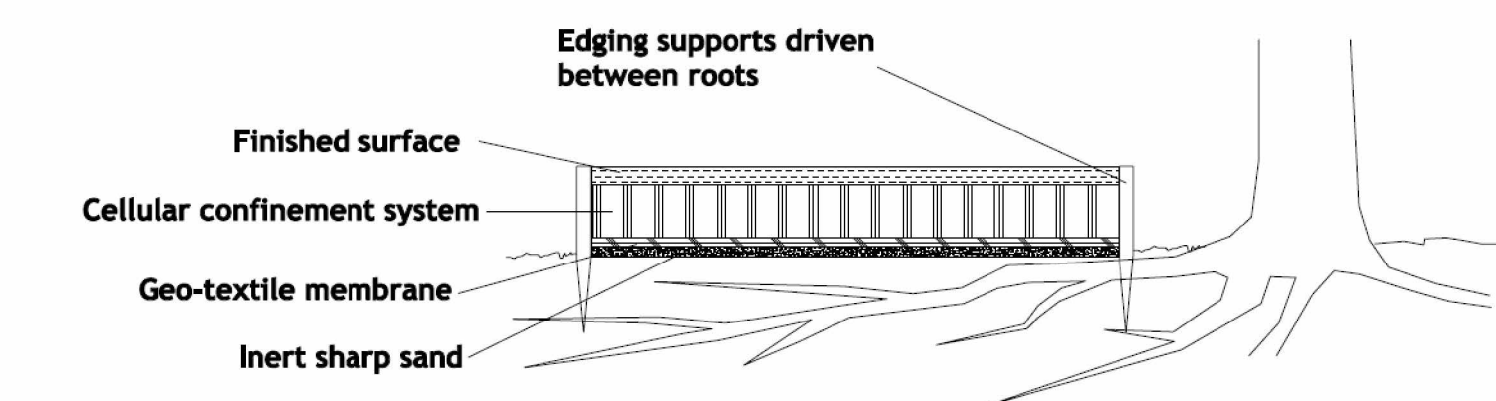
Proposed Root Protection Plan 1:200



Root protection area fencing NTS

**NOTES**

1. All trees/hedgerows to be retained to be protected in accordance with BS 5837:2012. Trees in relation to design, demolition & construction. Prior to the commencement of any work, or any materials being brought on site, existing trees to be retained are to be protected from damage by a 2.0m high weld mesh/Heras fence or similar approved. This shall be maintained in good and effective condition until the work is completed. Allow for stabiliser struts to secure fence for duration of construction.
2. The protective fencing is to coincide, as far as is practical, with the root protection area (rpa), unless otherwise agreed. All weather notices shall be securely fixed to the fence words such as 'construction exclusion zone - no access'.
3. The following measures are particularly important:
  - a. Materials are never to be stacked within the root spread of the tree;
  - b. No oil, tar, bitumen, cement or other material is to be allowed to contaminate the ground;
  - c. No fires shall be lit beneath or in close proximity to the tree canopy;
  - d. Trees to be retained should not be used as anchorages for equipment or for removing stumps, roots or other trees, or for other purposes;
  - e. No notices, telephone cables or other services should be attached to any part of the tree;
  - f. Cement mixing should not be carried out within the canopy/protected area of the tree;
  - g. Soil levels are to be maintained as existing within the root spread of the tree. any alteration to soil levels in an area up to one and a half times the diameter of the tree canopy must be agreed with the ER/Architect.



No dig surfacing solution NTS