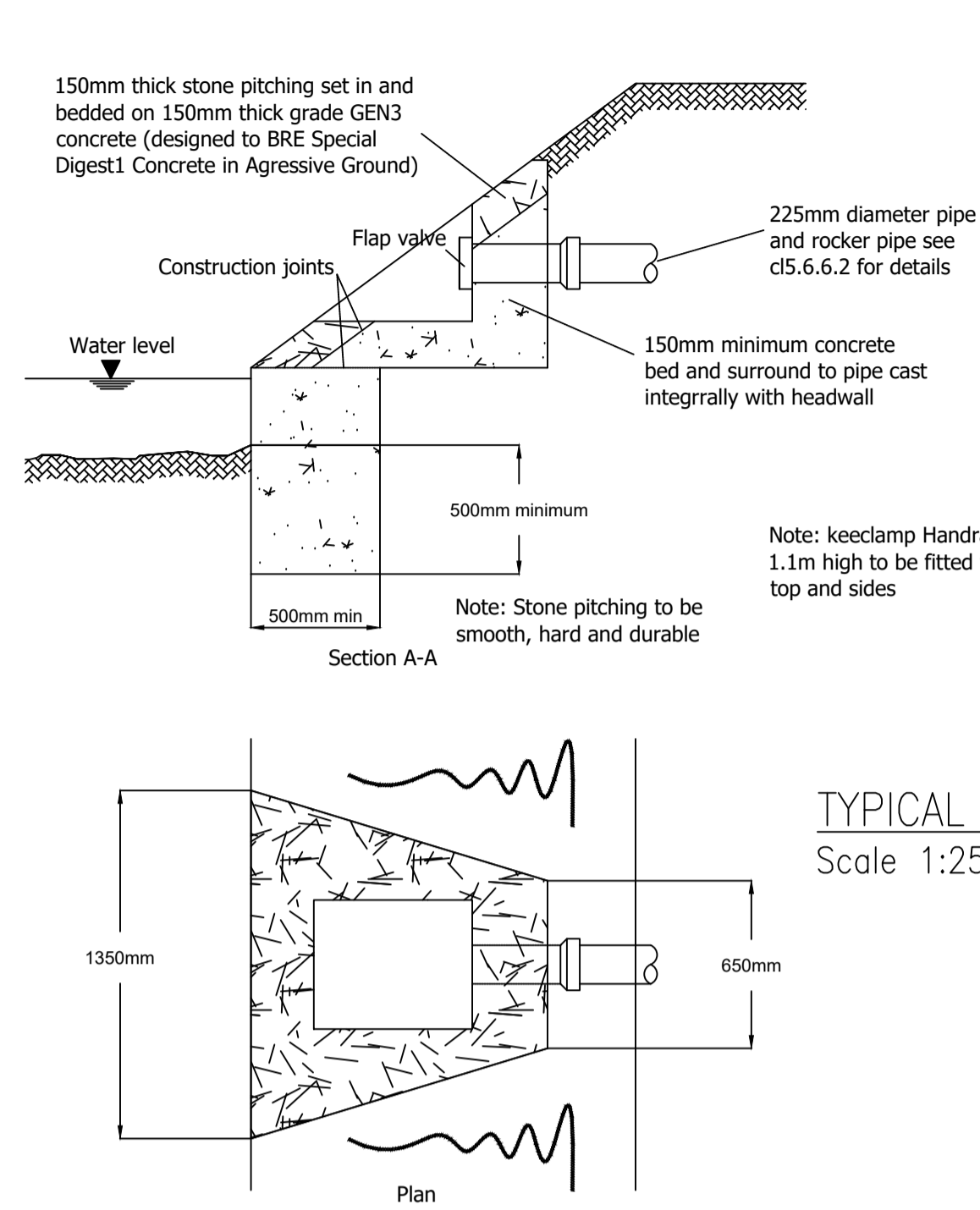


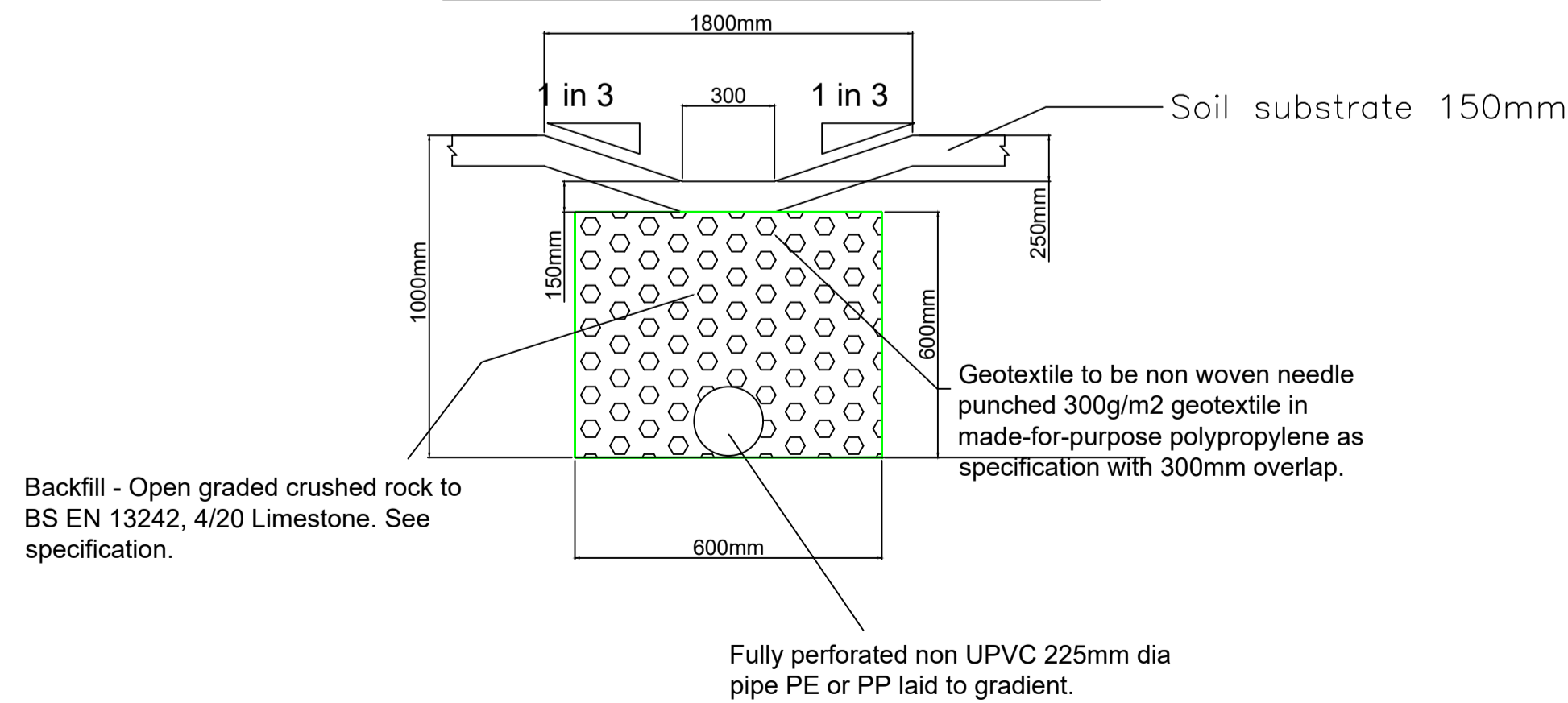
Manhole Ref.	Pipe Outlet Size	Pipe Material	Cover Level	Invert Level	Depth	Depth to soffit	Chamber Type	Chamber Size	Cover Type	Cover Size	Comments
SW1	100	polypipe	169.900	168.700	1.200	0.900	PPIC	450	A15	450	
SW2	100	polypipe	170.350	169.650	0.700	0.650	PPIC	450	A15	450	
SW3	100	polypipe	170.350	169.380	0.970	0.870	PPIC	450	A15	450	
SW4	150	polypipe	170.850	169.000	1.270	1.120	PPIC	450	A15	450	
SW5	150	polypipe	170.850	168.970	1.880	1.730	PPIC	600	A15	600	limited access
SW6	100	polypipe	170.350	168.500	0.850	0.750	PPIC	450	A15	450	
SW7	100	polypipe	170.350	168.250	1.100	1.000	PPIC	450	A15	450	
SW8	150	polypipe	170.350	168.870	1.480	1.330	PPIC	600	A15	600	limited access
SW9	800	polypipe	169.500	168.540	0.960	0.660	PPIC	600	A15	600	
SW10	800	polypipe	169.800	168.500	1.300	1.000	PPIC	600	A15	600	
SW11	150	polypipe	169.800	168.400	1.400	1.250	PPIC	600	A15	600	limited access
SW12	800	polypipe	169.800	168.300	1.500	1.200	PPIC	600	A15	600	
SW13	225	polypipe	173.400	172.600	0.800	0.740	PPIC	450	D400	600	limited access
SW14	225	polypipe	173.800	172.350	1.450	1.180	PPIC	600	D400	600	
SW15	225	polypipe	173.700	172.250	1.450	1.180	PPIC	600	D400	600	
SW16	100	polypipe	173.400	172.700	0.700	0.500	PPIC	450	A15	450	
SW17	150	polypipe	173.400	172.550	0.850	0.700	PPIC	450	D400	450	
SW18	150	polypipe	173.400	172.300	1.100	0.900	PPIC	450	D400	450	
SW19	800	ter./wall	173.400	171.500	1.900	1.000	PPIC	1200	D400	600	
SW20	800	ter./wall	173.400	171.500	1.900	1.000	PPIC	1200	D400	600	
SW21	800	ter./wall	173.400	171.500	1.900	1.000	PPIC	1200	D400	600	
SW22	100	polypipe	173.400	172.700	0.700	0.500	PPIC	450	A15	450	
SW23	150	polypipe	173.400	172.460	0.940	0.790	PPIC	450	D400	450	
SW24	150	polypipe	173.400	172.460	0.940	0.790	PPIC	450	D400	450	
SW25	150	polypipe	173.400	172.300	1.100	0.950	PPIC	450	D400	450	
SW26	150	polypipe	173.400	172.400	1.000	0.850	PPIC	450	D400	450	
SW27	225	polypipe	173.400	171.400	2.000	1.715	PPIC	1200	D400	600	limited access
SW28	225	polypipe	173.400	171.400	2.000	1.715	PPIC	1200	D400	600	limited access
SW29	225	polypipe	173.400	171.400	2.000	1.715	PPIC	1200	D400	600	hydrostatic 20/1
SW30	450	ter./wall	173.900	172.000	1.900	0.950	PPIC	1200	D400	600	
SW31	450	ter./wall	172.700	171.100	1.600	1.150	PPIC	1200	D400	600	
SW32	150	polypipe	170.150	169.450	0.700	0.550	PPIC	450	A15	450	
SW33	225	polypipe	170.150	168.950	1.200	0.915	PPIC	600	A15	600	limited access
SW34	225	polypipe	170.150	168.800	2.270	2.245	PPIC	600	A15	600	limited access
SW35	150	polypipe	167.450	166.770	0.680	0.530	PPIC	450	A15	450	
SW36	225	polypipe	167.450	166.550	0.900	0.750	PPIC	450	A15	450	
SW37	800	polypipe	167.450	166.250	1.200	0.900	PPIC	600	A15	600	
SW38	150	polypipe	167.970	166.970	1.000	0.850	PPIC	450	D400	450	
SW39	225	polypipe	169.800	168.320	1.330	1.230	PPIC	600	D400	600	
SW40	800	polypipe	166.800	165.350	1.500	1.200	PPIC	600	D400	600	
SW41	800	ter./wall	166.450	164.650	1.800	0.900	PPIC	1200	D400	600	
SW42	800	ter./wall	166.450	164.650	1.800	0.900	PPIC	1200	D400	600	
SW43	800	ter./wall	166.450	164.650	1.800	0.900	PPIC	1200	D400	600	
SW44	225	polypipe	166.900	164.550	2.350	2.125	PPIC	1200	D400	600	limited access
SW45	225	polypipe	166.900	164.550	2.350	2.125	PPIC	1200	D400	600	limited access
SW46	225	polypipe	166.900	164.550	2.350	2.125	PPIC	1200	D400	600	limited access
SW47	225	polypipe	166.900	164.450	2.450	2.225	PPIC	1200	D400	600	hydrostatic 42/1
SW48	450	ter./wall	165.400	163.200	2.200	0.750	PPIC	1200	D400	600	



TYPICAL OUTFALL FROM SWALE DETAIL HW3  
Scale 1:25

Manhole Ref.	Pipe Outlet Size	Pipe Material	Cover Level	Invert Level	Depth	Depth to soffit	Chamber Type	Chamber Size	Cover Type	Cover Size	Comments
FW1	100	polypipe	170.350	169.550	0.800	0.700	PPIC	450	A15	450	
FW2	100	polypipe	170.350	169.340	1.010	0.910	PPIC	450	A15	450	
FW3	100	polypipe	170.350	169.230	1.120	1.020	PPIC	450	A15	450	
FW4	100	polypipe	169.800	168.930	0.870	0.770	PPIC	450	A15	450	
FW5	100	polypipe	173.400	172.400	1.000	0.900	PPIC	450	A15	450	
FW6	100	polypipe	173.400	172.060	1.340	1.240	PPIC	600	A15	600	limited access
FW7	100	polypipe	173.400	171.840	1.560	1.460	PPIC	600	A15	600	limited access
FW8	100	polypipe	173.350	168.910	4.440	4.340	PPIC	600	D400	600	limited access
FW9	100	polypipe	169.700	168.870	0.830	0.730	PPIC	450	D400	450	
FW10	100	polypipe	169.700	168.790	0.910	0.810	PPIC	450	D400	450	
FW11	100	polypipe	169.700	165.500	4.200	4.100	PPIC	600	D400	600	limited access
FW12	100	polypipe	167.450	166.560	0.890	0.790	PPIC	450	A15	450	
FW13	100	polypipe	167.450	166.450	1.000	0.900	PPIC	450	A15	450	
FW14	100	polypipe	167.450	166.340	1.110	1.010	PPIC	450	A15	450	
FW15	100	polypipe	167.450	166.230	1.220	1.120	PPIC	450	A15	450	
FW16	100	polypipe	167.450	166.120	1.330	1.230	PPIC	600	A15	600	limited access
FW17	100	polypipe	167.450	166.010	1.440	1.340	PPIC	600	A15	600	limited access
FW18	100	polypipe	167.450	165.880	1.570	1.470	PPIC	600	A15	600	limited access
FW19	100	polypipe	166.400	165.400	1.000	0.900	PPIC	450	D400	450	
FW20	100	polypipe	166.400	165.350	1.050	0.950	PPIC	450	D400	450	
FW21	100	polypipe	166.400	165.280	1.120	1.020	PPIC	450	D400	450	
FW22	100	polypipe	166.400	165.200	1.200	1.100	PPIC	450	D400	450	
FW23	100	polypipe	166.400	165.080	1.320	1.220	PPIC	600	D400	600	limited access
FW24	100	polypipe	166.540	165.010	1.530	1.430	PPIC	600	D400	600	limited access
FW25	150	polypipe	167.000	164.000	3.000	2.850	PPIC	600	D400	600	connection

SWALE & FILTER DRAIN DETAIL

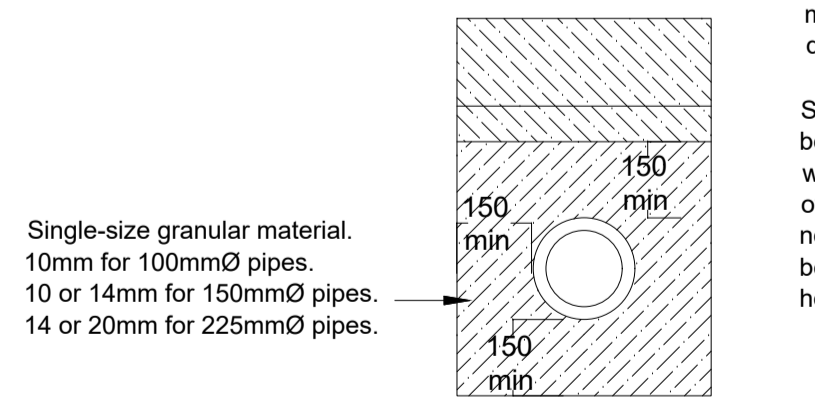


Pipe surround details

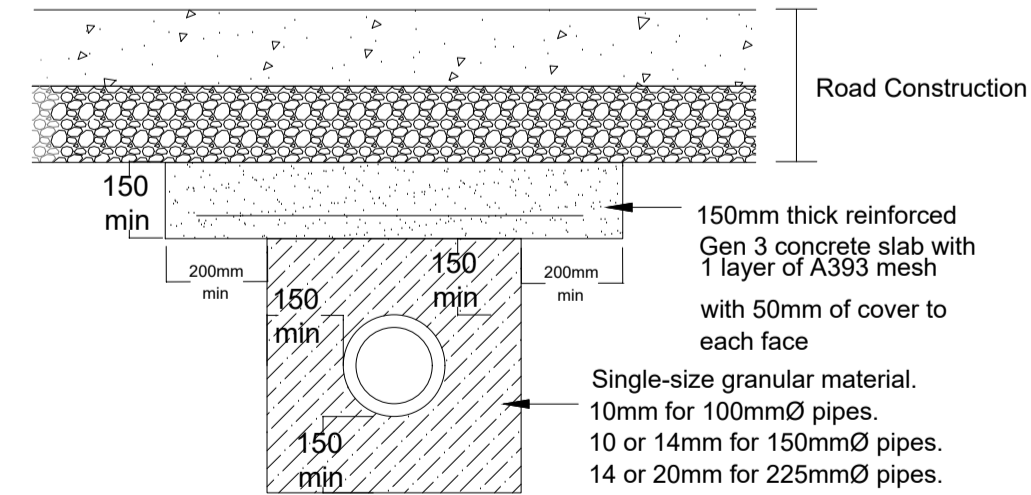
Boxing/sheeting to be removed progressively during placement of the main backfill above the pipe to prevent displacement of the granular material.

Sidefill material to be placed evenly on both sides of the pipe taking care to work material under the lower quadrant of the pipe whilst ensuring the pipe is not lifted. Both sides of the trench should be filled simultaneously to avoid horizontal movement of the pipe.

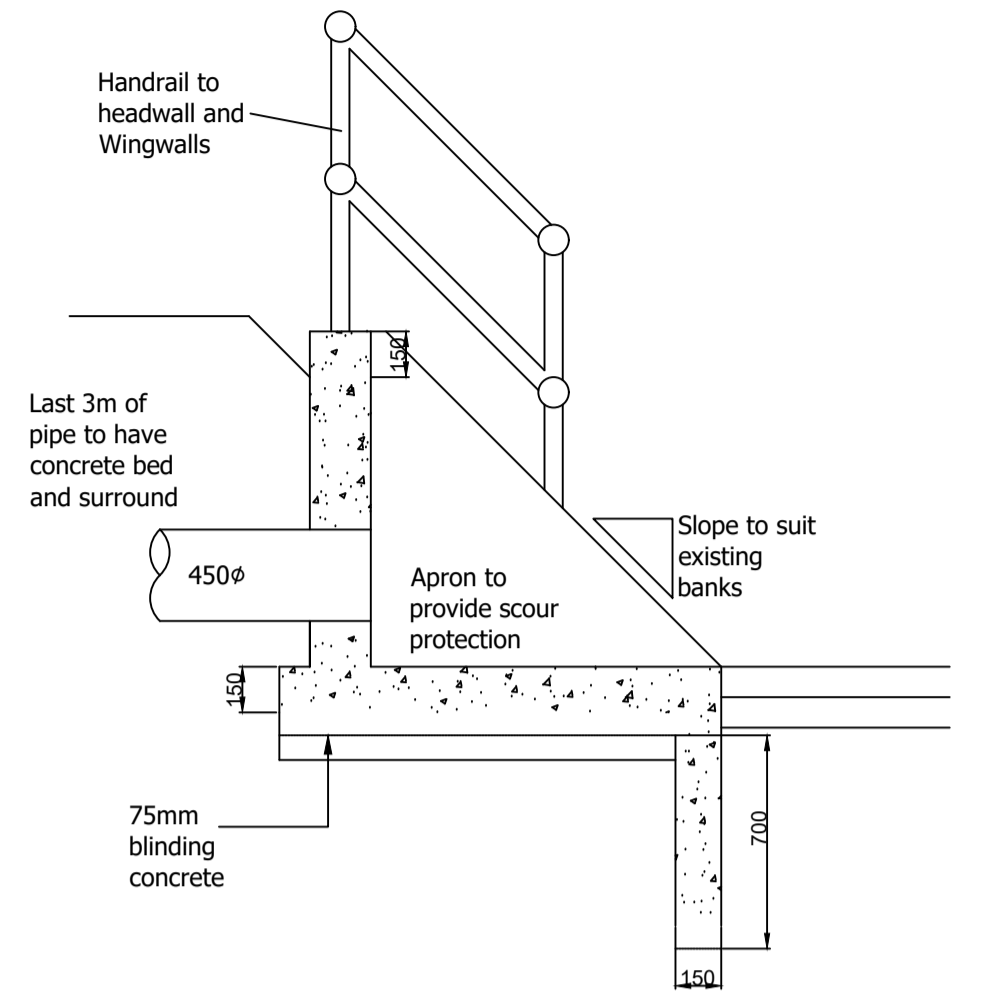
Trench fill under roads to conform with Highways requirements.



Typical detail through Class S Bed and Surround



Typical detail through Class S Bed and Surround with concrete slab protection (to be used where sewer is less than 1200mm in depth in trafficked areas and less 900mm in un-trafficked areas)



TYPICAL OUTFALL HW1, 2 & 4  
Scale 1:25

REV	DESCRIPTION	DATE
0	For Approval	21/11/25

EWE Associates Limited  
7 Waveney Close  
Burton Upon Stather  
Scunthorpe  
DN15 9DT  
Tel: 07875 972270  
Email: lea.favill@eweassociates.com

PROJECT  
Proposed Residential Development Hinchcliffe Mill Holmbridge Holmfirth

CLIENT  
Holroyd Homes (Yorkshire) Ltd

DRAWING TITLE  
Surface Water & Foul Water Drainage Details

SCALE 1:250	DATE 21/11/25	
DRAWN BY LJF	CHECKED BY JF	REVISION 0

DRAWING No  
EWE/3388/02