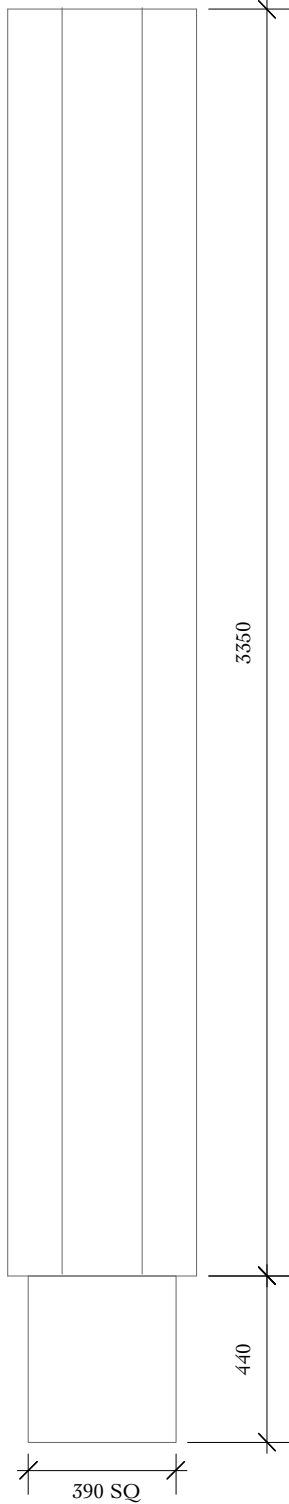
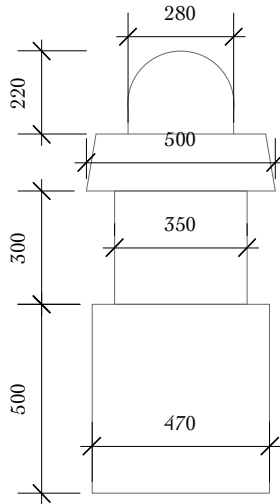


GENERAL NOTES

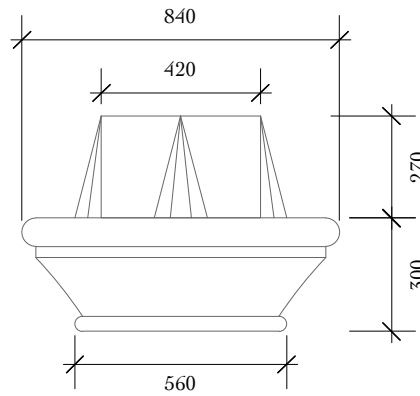
1. Do not scale from this drawing. Use figured dimensions only. Unless otherwise stated all drawing units are in millimetres. Levels are in meters.
2. This drawing to be read in conjunction with all other relevant consultant/specialist drawings and specifications.
3. Check levels/dimensions quoted on drawing against those on site before finalising.
4. For setting out dimensions, see Architect's drawings (uno).
5. Report any discrepancies before affected work commences.
6. We are not the Principal Designer for the construction works, unless a separate formal appointment has been agreed.
7. This drawing remains copyright of Blackett-Ord Conservation Ltd. Copy/distribute only with consent of the Author.



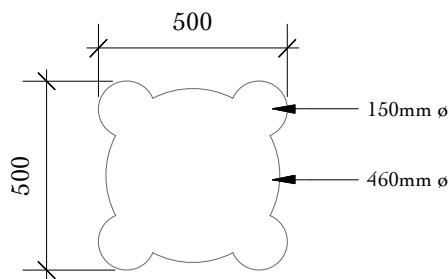
SHAFT - ELEVATION



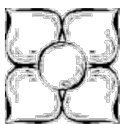
TOP DETAIL 1



TOP DETAIL 2



SHAFT - PLAN



Blackett-Ord Conservation
ENGINEERING

33 Chapel Street,
Appleby, Cumbria CA16 6QR

Telephone: 017683 52572
Email: engineering@blackett-ordconservation.co.uk

Oakenshaw Cross
for Kirklees Council

Recording Prior to Relocation (3 of 3)

Drawing No: Y19/Sk03 Rev: -

Date: 14th August 2025 Drawn by: AR

Scale: 1:20 @ A4

Checked by: CBO