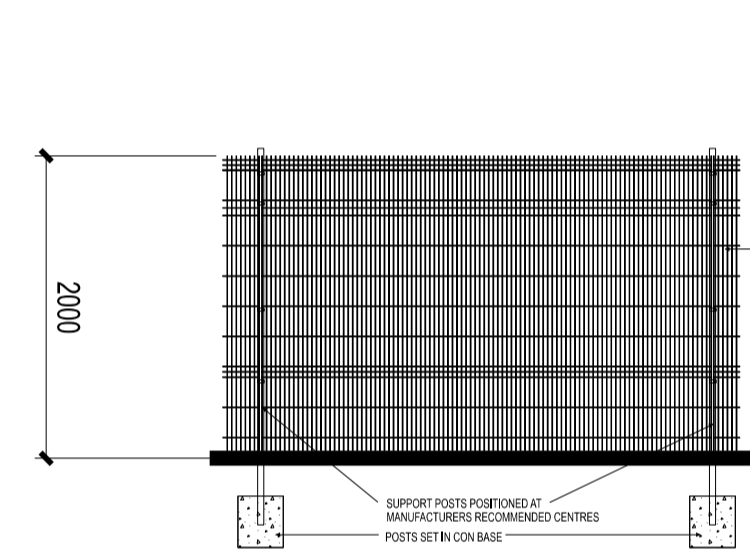
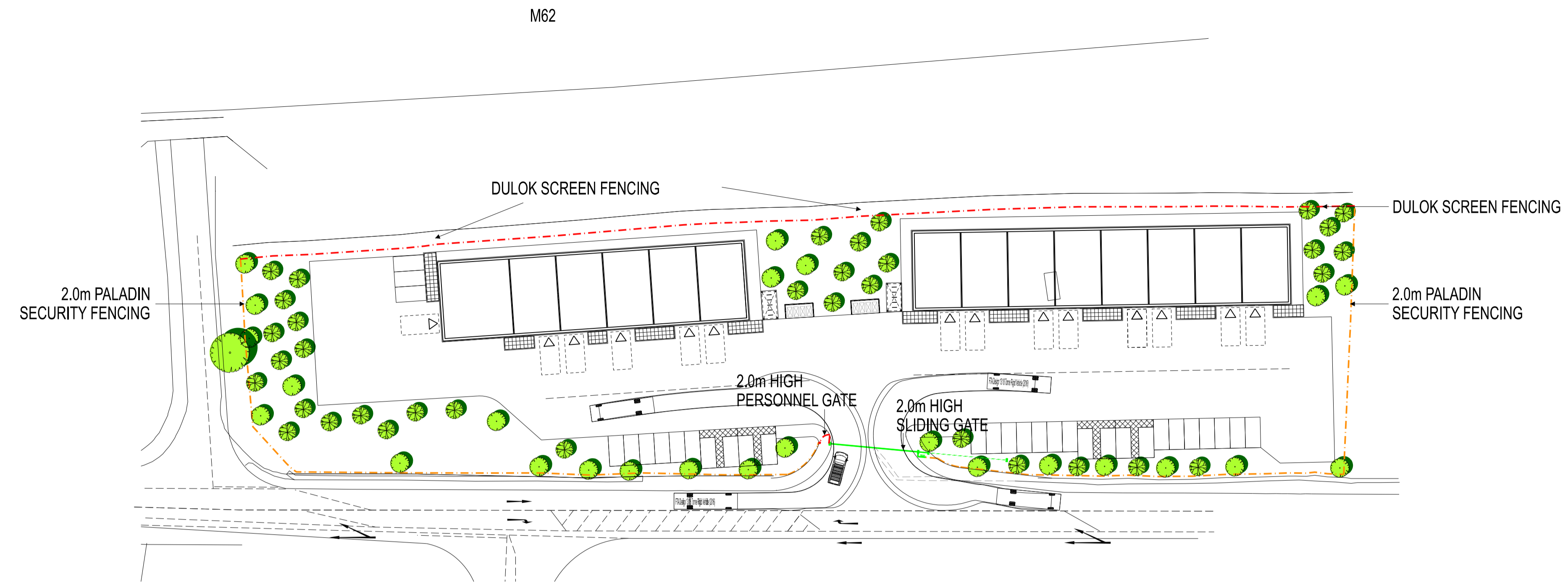
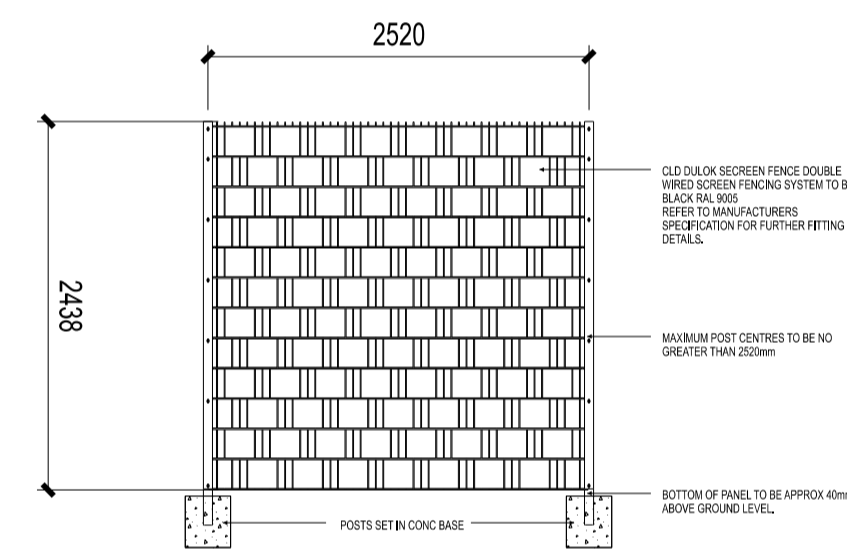


Notes:
 This drawing is the sole copyright of KPP Architects Ltd and reproduction in any form is forbidden unless permission is obtained in writing.
 Do not scale from this drawing. Any discrepancies on site should be brought to the attention of KPP Architects Ltd.
 Work and materials must comply with the current building regulations and codes of practice and be read in conjunction with building specifications and other sub-contractors information. All materials are to be installed in strict accordance with the recommendations of the manufacturers.

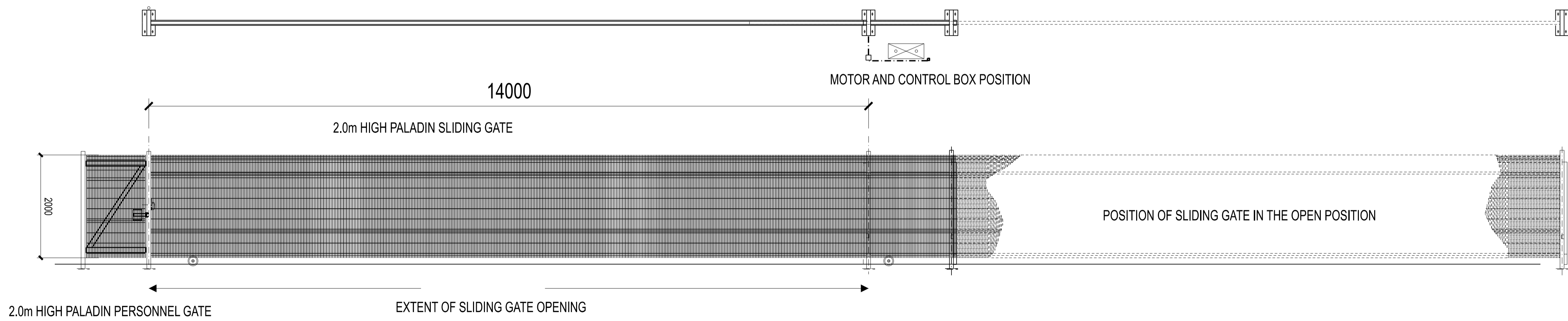


PALADIN FENCE (COLOUR BLACK)
 SCALE 1:50
 (REFER TO PLAN ABOVE FOR LOCATION)



DULOK SCREEN FENCE (COLOUR BLACK)
 SCALE 1:50
 (REFER TO PLAN ABOVE FOR LOCATION)

- - - - - CLD DULOK SCREEN FENCE
- - - - - 2.0m HIGH BLACK AUTOMATIC SLIDING GATE WITH KEYPAD ACCESS TO MATCH FENCING
- - - - - 2.0m HIGH BLACK AUTOMATIC SLIDING GATE WITH KEYPAD ACCESS TO MATCH FENCING



PALADIN SLIDING GATE (COLOUR BLACK)
 SCALE 1:50
 (REFER TO PLAN ABOVE FOR LOCATION)

P1	EXISTING FENCE BOUNDARY UPDATED	MH	10.12.25
Rev	Description	By	Chkd

Client
FRANK MARSHALL ESTATES

Project Title
WAPPY SPRINGS, HUDDERSFIELD

Drawing Title
FENCING & GATE DETAIL DoC

KPP ARCHITECTS
 Lodge House
 12 Town Street
 Horsforth, Leeds LS184RJ
 T : +44 (0) 113 2380460
 E : architects@kpp-leeds.co.uk
 W : www.kpp-leeds.co.uk

Scale	Size	Date	Drawn	Checked
VARIES A1		NOV'25	GK	

Status PLANNING	
KPP Job No 2278	Rev P1
Number 2012	