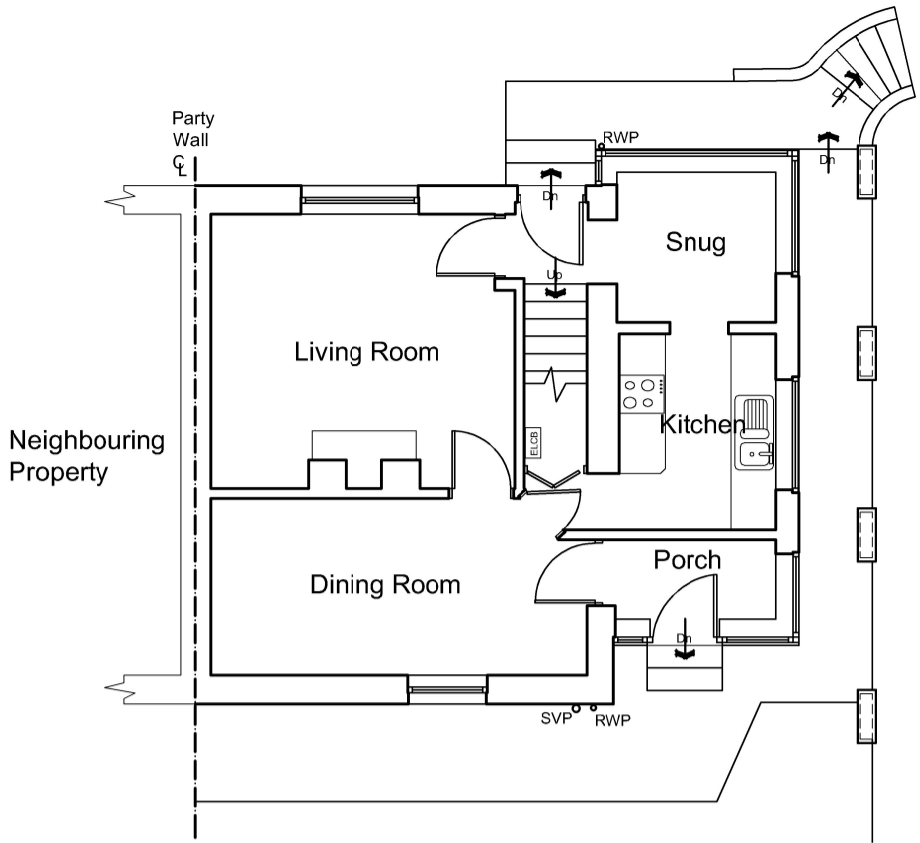
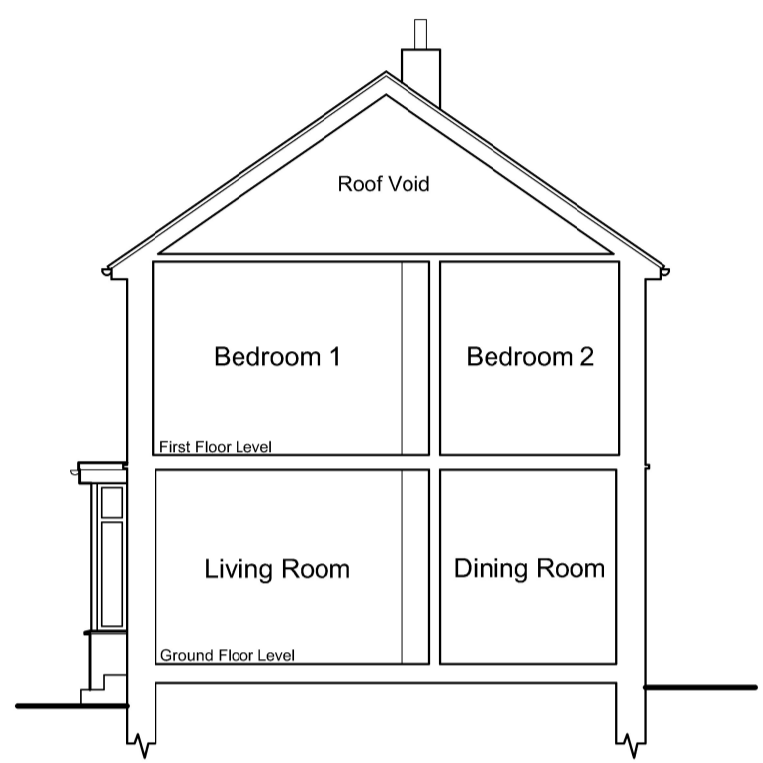




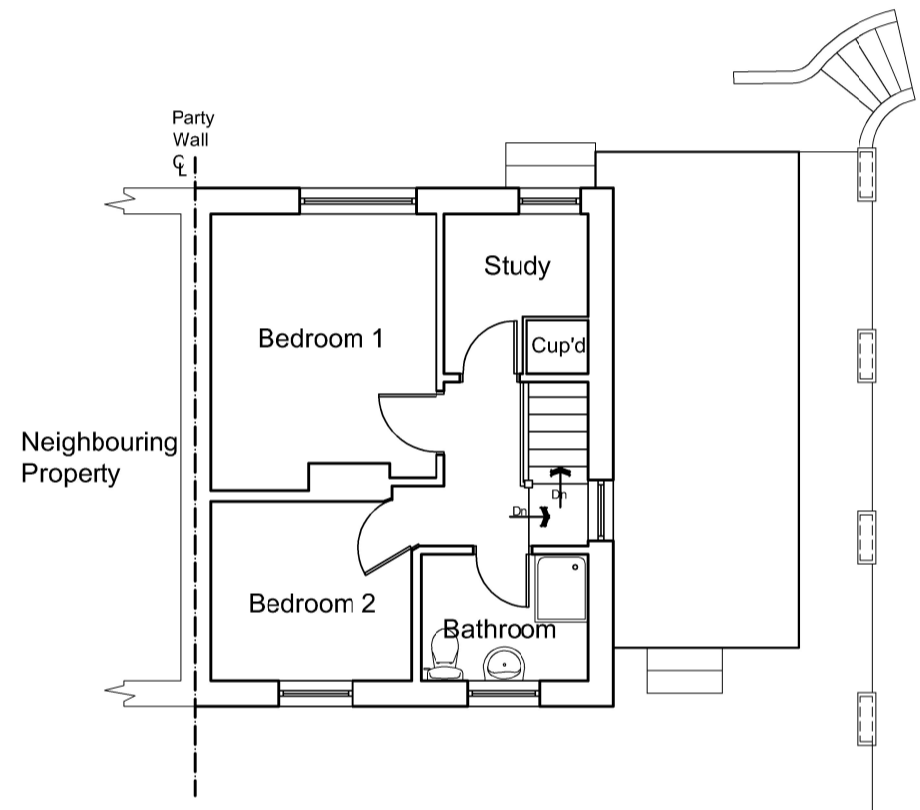
West Elevation
(side)



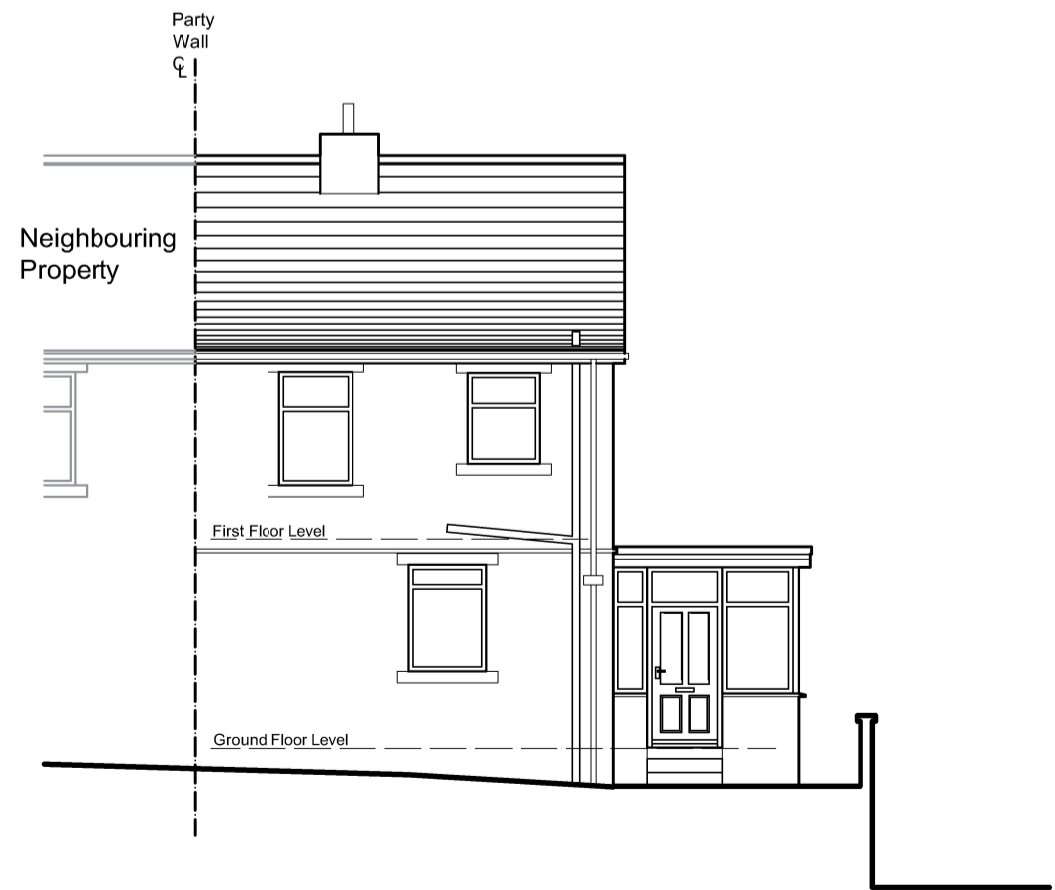
Ground Floor Plan



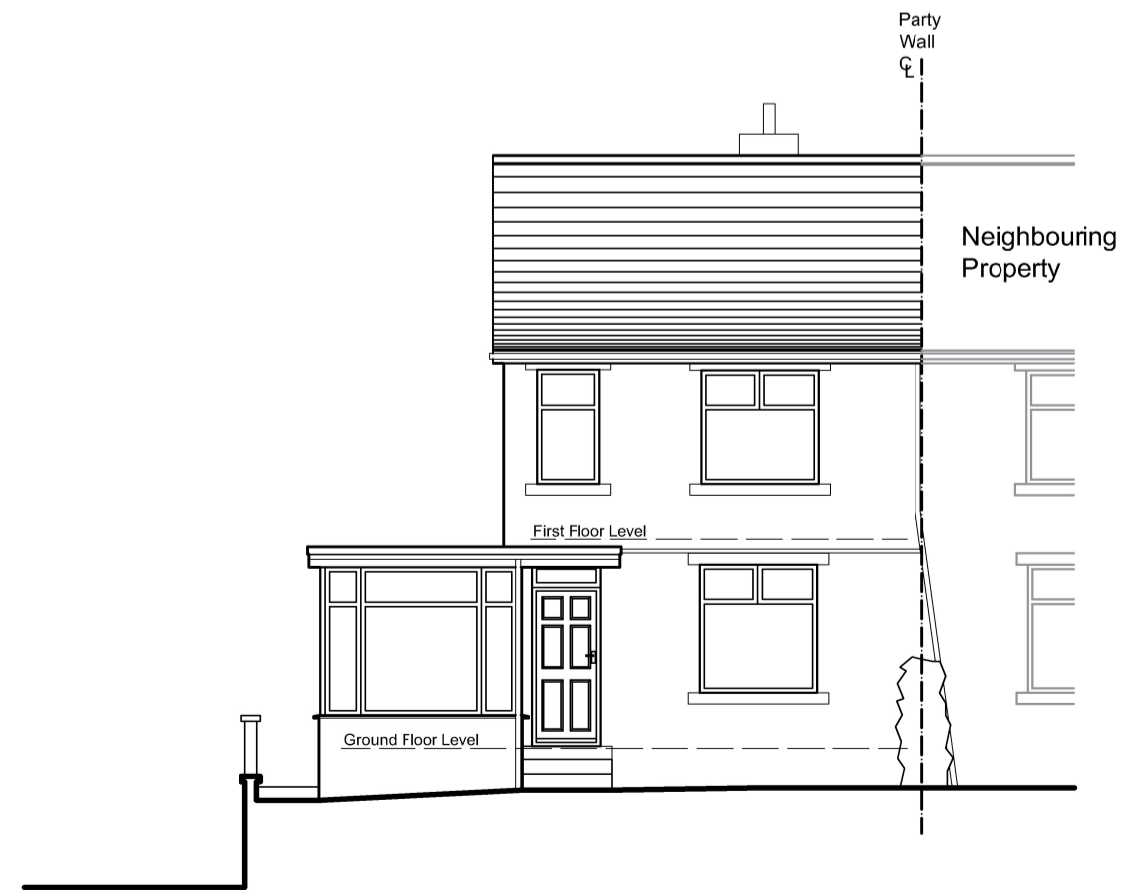
East Sectional Elevation
(side)



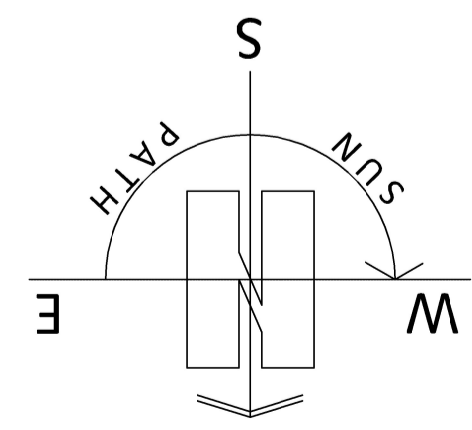
First Floor Plan



North Elevation
(front)



South Elevation
(rear)



ARCHITECTURE | PLANNING | DESIGN

Malkin Farm
Brow Lane
Holmfirth
HD9 2RJ
07946872499
paul@paulmatthewsarchitectural.co.uk
www.paulmatthewsarchitectural.co.uk

Company Registration Number: 09898149 – Company Registered in England and Wales

Project
Erection of Ancillary Outbuilding (Garage) at 16 Butterley Lane, New Mill, Holmfirth HD9 7EZ
Client

Mr & Mrs P Hissett

Drawing Title/Issue

General Arrangement as Existing