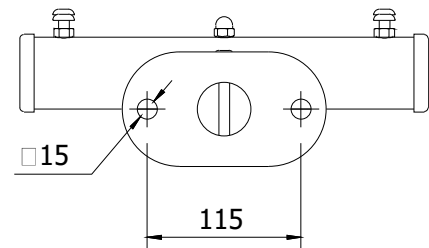
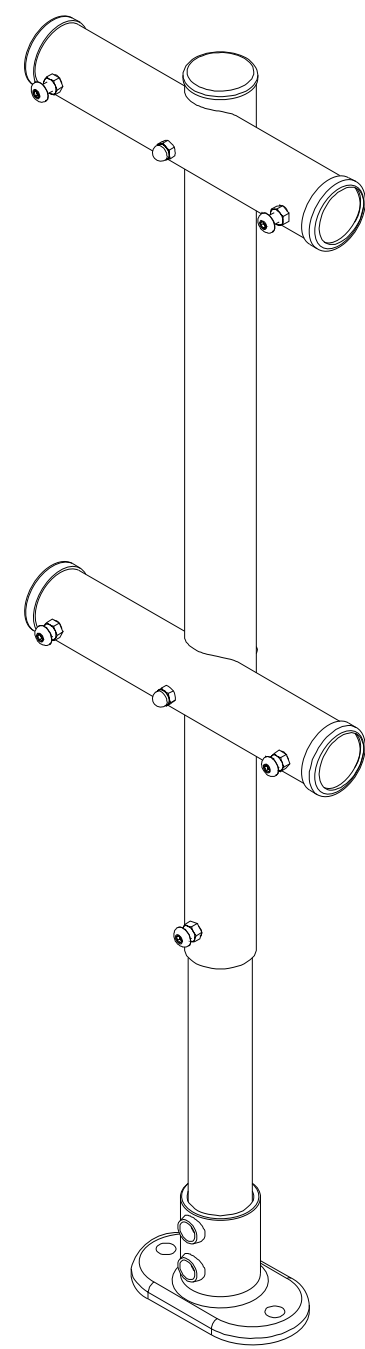
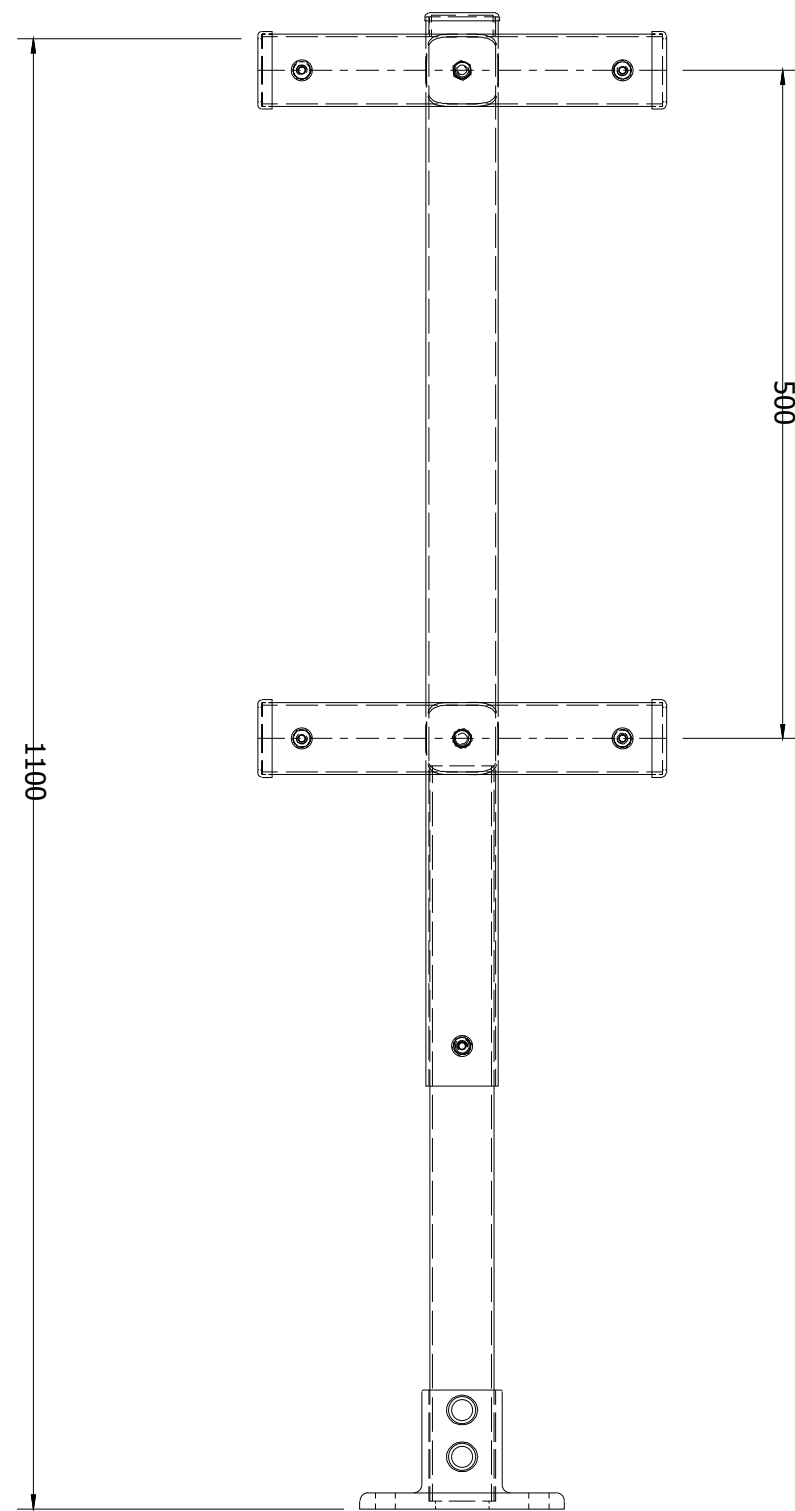
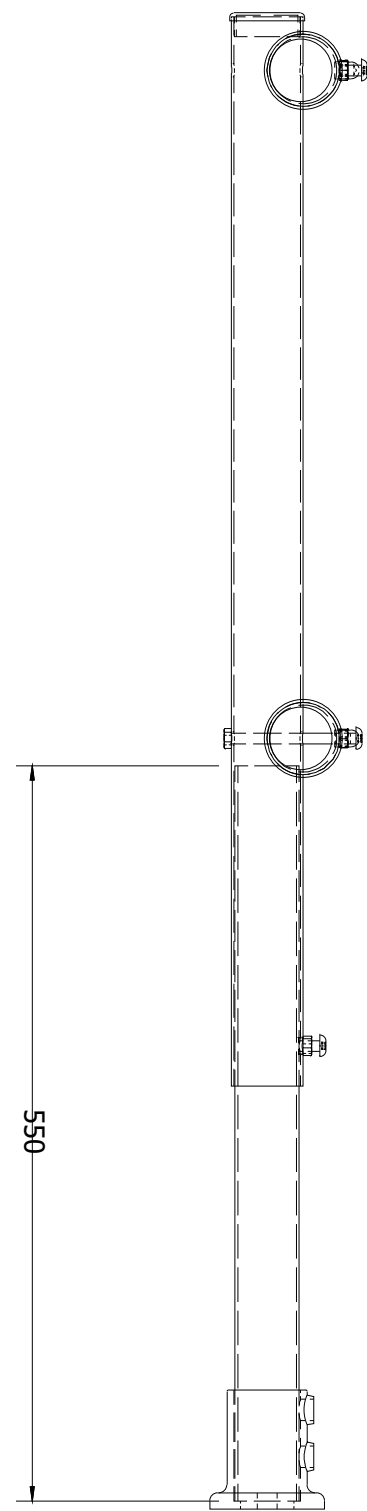


Designs, drawing and contents are not to be copied or distributed to third parties without the written permission of PTSG Access and Safety LTD.

Under Construction (Design and Management) Regulations 2015 [CDM] any person affecting the design shown will be classed as the designer and will assume full CDM responsibility.

On receipt of any design the client accept full responsibility for change management requirements reference can be found within L153 CDM ACOP paragraph 72.

Awareness for the responsibilities and duties owed by clients under these regulations can be found within Industry guidance for clients (CDM15/1).



Flat/Round/Plate Steel to - BS EN 10025-2 : 2004 (S275JR)  
 Circular ERW Tube to - BS EN 10305-3 : 2002 (E220)  
 Welding Processes To - BS EN ISO 4063  
 Galvanising to - EN ISO 1461

Weight - 6 kg

Material - Mild Steel - Galvanized

**LEGEND:**



**Access and Safety Ltd**

PTSG Access and Safety Ltd. TEL. 01997 668 771  
 13 - 14 Flemming Court FAX. 01977 668 772  
 Whistler Drive www.ptsg.co.uk  
 Glasshoughton

CLIENT. N/A

PROJECT. N/A

DRAWING TITLE.  
 TYPICAL FIXED  
 GUARDRAIL DETAIL

DRAWING NUMBER.  
 BW-DET-1268

SCALE.	DRAWN.	DATE.	LOCATION.
NTS	CN	27.03.2025	UK
PROJECT NO.	CHECKED.	OFFICE.	DELIVERY.
	BW	OCKE	OCKE

REV	DESCRIPTION	DATE	NAME
P01	FOR INFORMATION	27.03.25	CN

THE INFORMATION CONTAINED HEREIN IS THE PROPERTY OF PTSG ACCESS AND SAFETY LIMITED AND IS NOT TO BE ALTERED, REPRODUCED OR COMMUNICATED TO A THIRD PERSON OR USED IN ANY MANNER WHATSOEVER WITHOUT THE EXPRESS WRITTEN PERMISSION OF PTSG ACCESS AND SAFETY LIMITED.  
 DO NOT SCALE FROM THIS DRAWING.