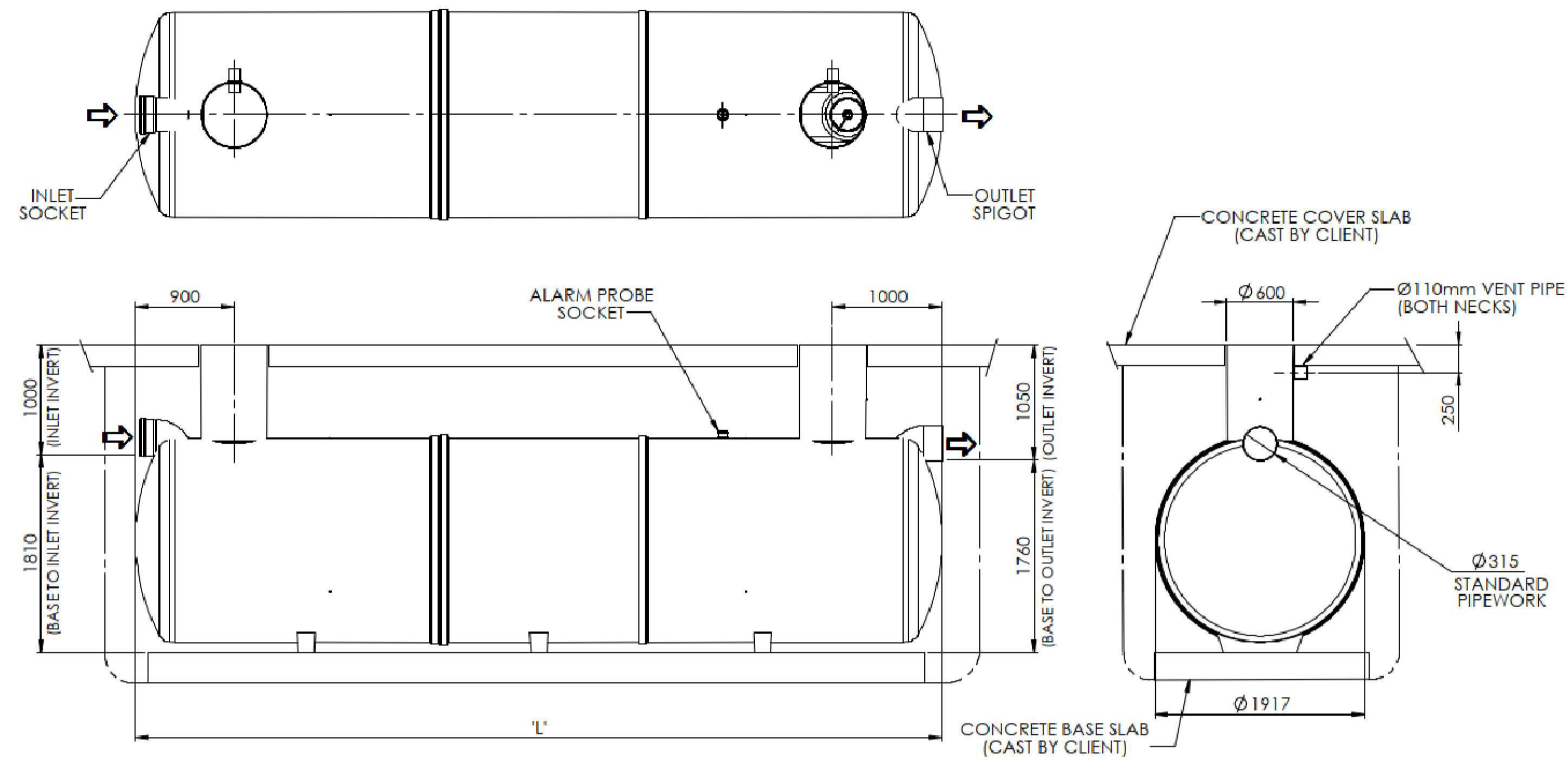
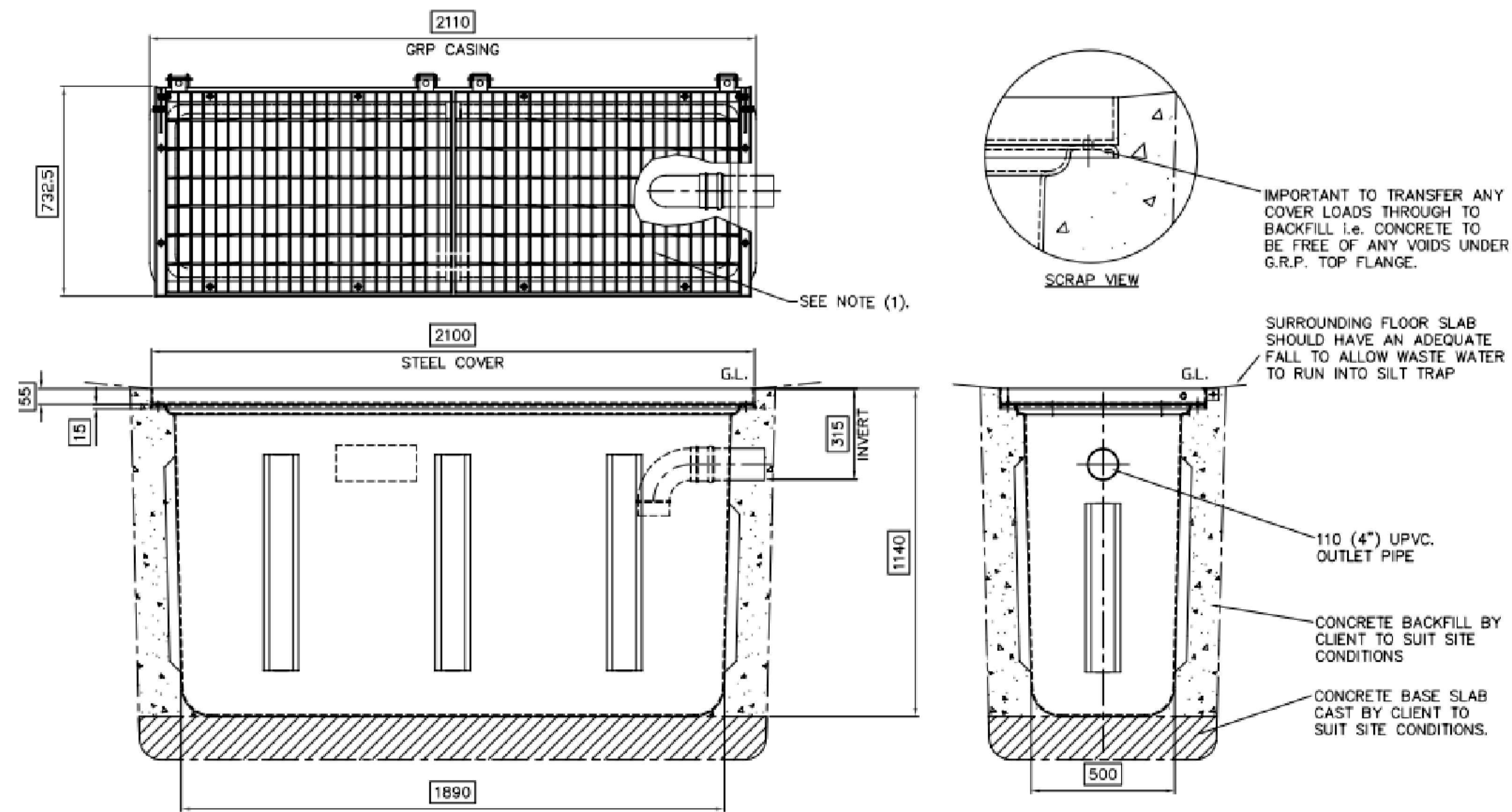


UNIT REF.	NOMINAL FLOW RATE (L/s)	APPROX. EMPTY WEIGHT (kg)	OVERALL LENGTH 'L'
NSFA020	20	575	3230
NSFA030	30	665	3960
NSFA040	40	740	4750
NSFA050	50	985	5790
NSFA065	65	1145	7360



KINGSPAN – FULL RETENTION SEPERATOR

- NOTES:
- DRAWING TO BE READ IN CONJUNCTION WITH THE SPECIFICATIONS AND ALL OTHER EMPLOYERS REQUIREMENTS/TENDER/CONTRACT DOCUMENTS, INCLUDING THE STRUCTURAL AND ARCHITECTURAL PACKAGES.
 - ALL DIMENSIONS ON THIS DRAWING ARE IN METERS UNLESS NOTED OTHERWISE.
 - KITA ENGINEERING ACCEPTS NO RESPONSIBILITY FOR ANY USE OF THIS DOCUMENT OTHER THAN BY ITS CLIENT AND ONLY FOR THE PURPOSE FOR WHICH IT WAS PREPARED AND PROVIDED.
 - THE DESIGN ASSUMES THAT ALL CONTRACTORS ARE COMPETENT AND THAT THEY ARE INDUCTED AND CO-ORDINATED BY THE CONTRACTOR IN ORDER TO CO-OPERATE AND IMPLEMENT SAFE WORKING PRACTICES ON SITE.
 - IF ISSUED IN AN ELECTRONIC FORMAT, IT IS THE RESPONSIBILITY OF THE RECIPIENT TO CHECK THAT THIS DRAWING HAS BEEN REPRODUCED ACCURATELY AND COMPLETELY.
 - ALL WORK SHALL BE CARRIED OUT IN ACCORDANCE WITH LOCAL AND NATIONAL REGULATIONS, NATIONAL STANDARDS AND CODES OF PRACTICE, INCLUDING THE RELEVANT STANDARDS.



KINGSPAN – CAR WASH SILT TRAP

C01	17/02/2025	OK	ISSUED FOR CONSTRUCTION
P01	10/01/2025	OK	FIRST ISSUE
REV	DATE	BY	DESCRIPTION

DRAWING STATUS:		A - FIT FOR CONSTRUCTION	
kita. ENGINEERING			
SITE/PROJECT:			
SHEEPRIDGE ROAD			
TITLE:			
STANDARD DETAILS SHEET 2 OF 2			
SCALE @ AT:	DESIGNED:	DRAWN:	DATE:
As Shown	OK	OK	January 2025
DRAWING No:			REV:
SHRP-00-CV-SD-0101			C01