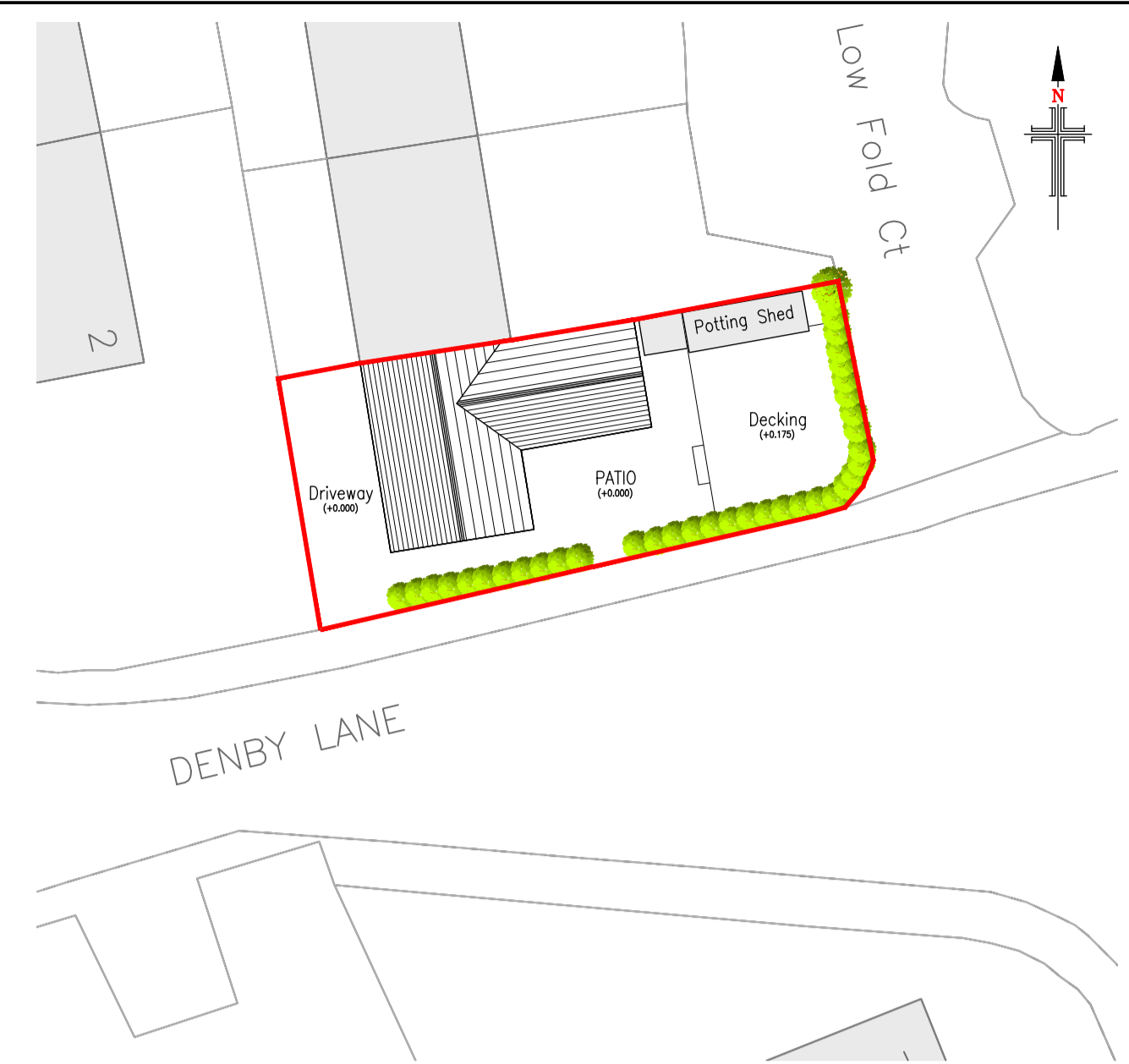
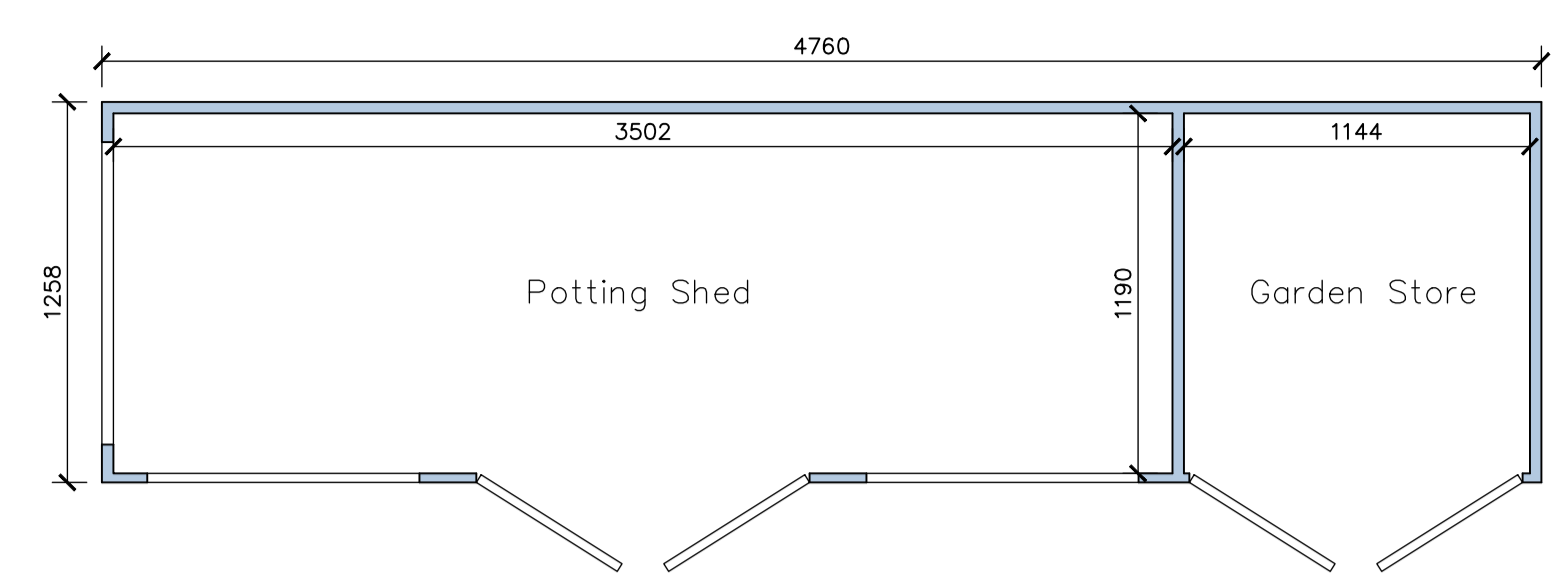


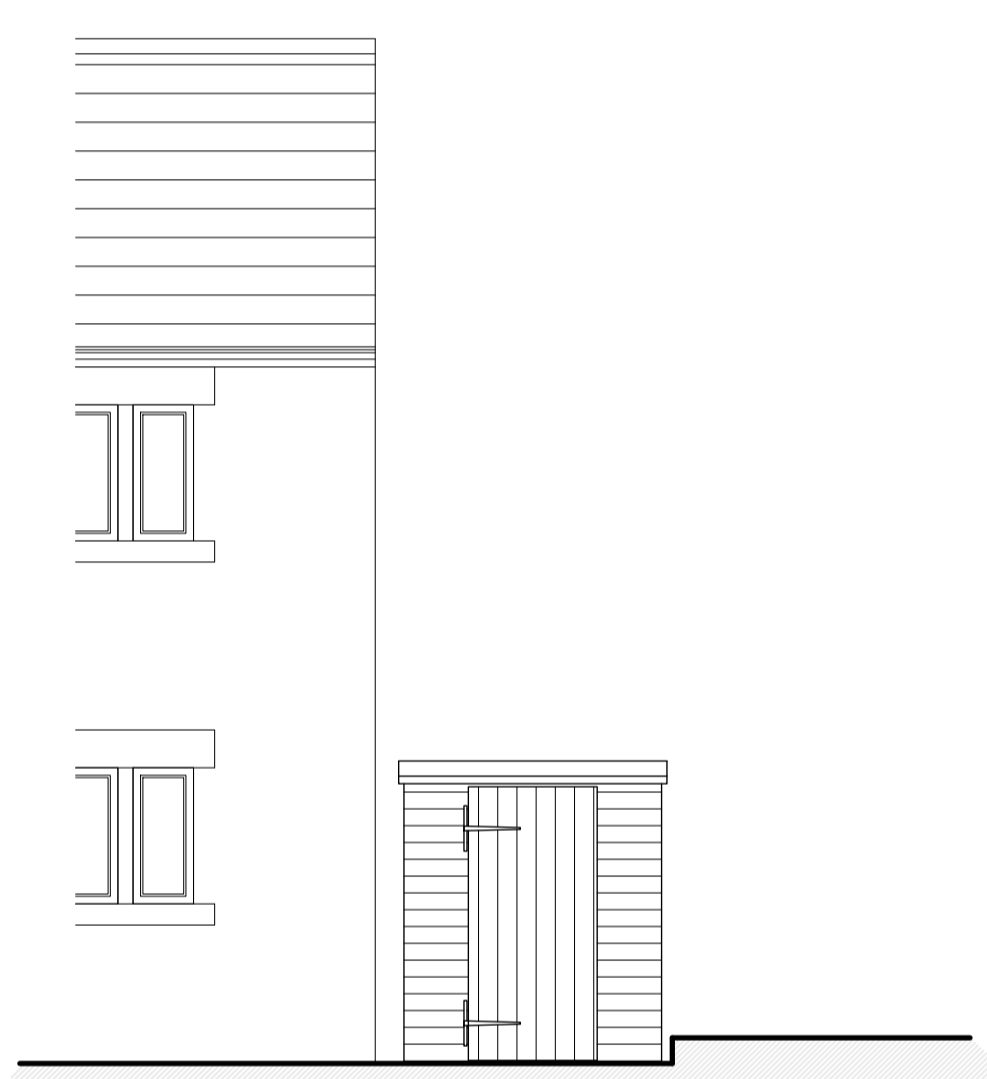
Existing Site Layout
Scale 1:250



Proposed Site Layout
Scale 1:250



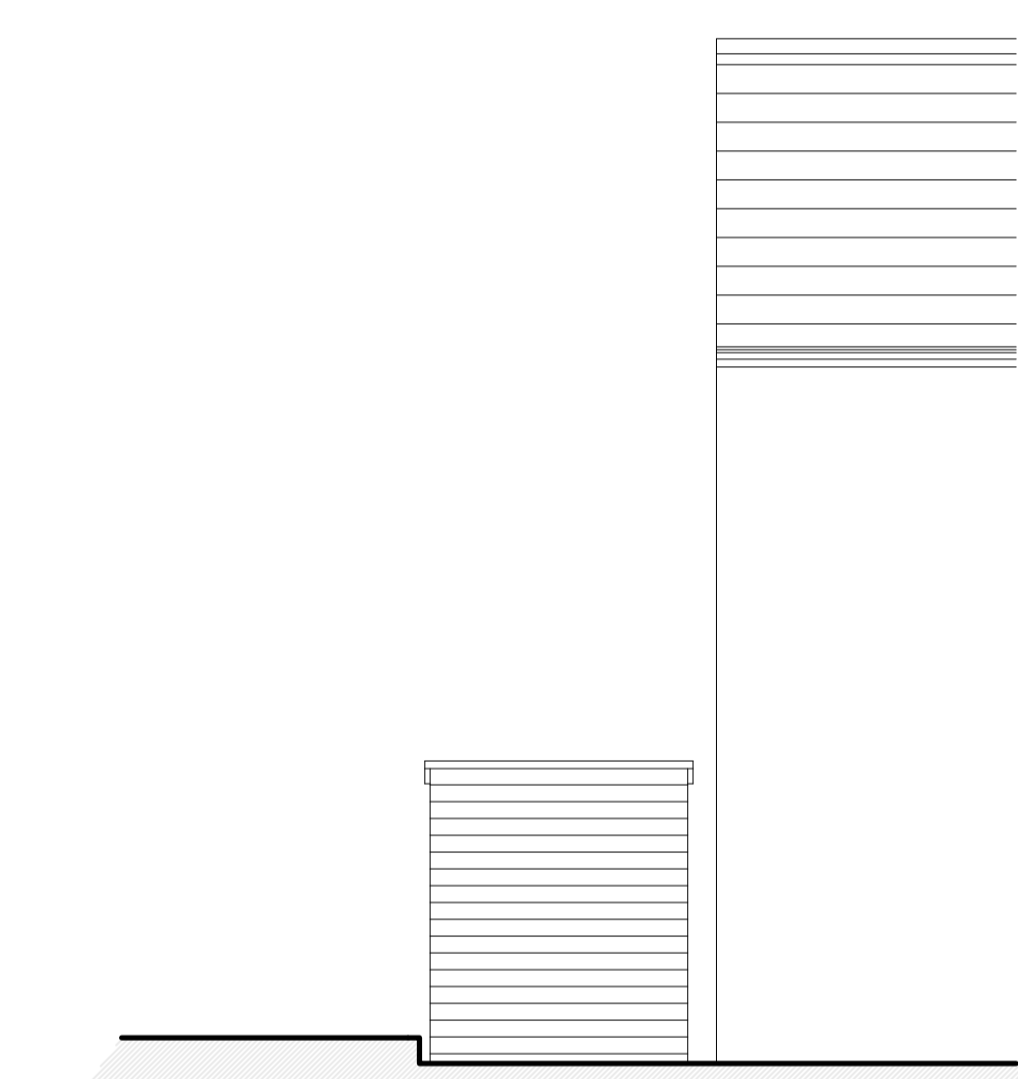
Proposed Shed Floor Plan
Scale 1:50



Existing South Facing Elevation
Scale 1:50



Existing East Facing Elevation
Scale 1:50



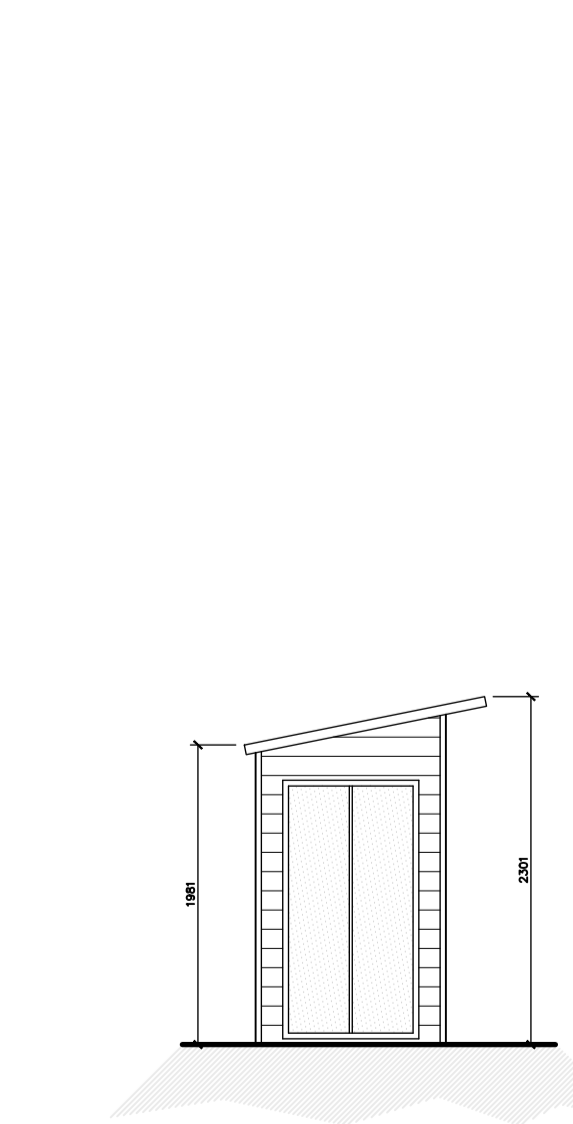
Existing North Facing Elevation
Scale 1:50



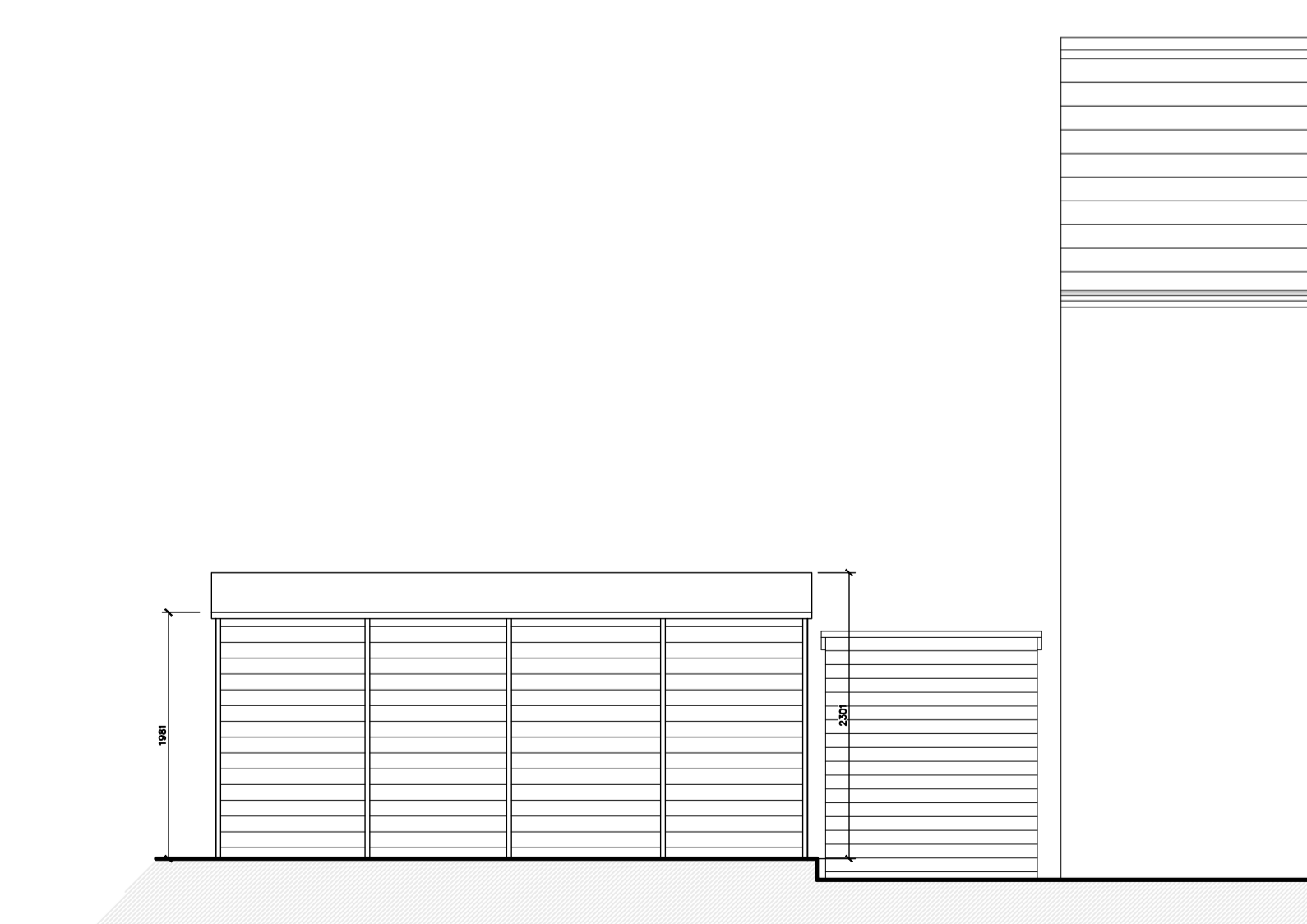
Proposed South Facing Elevation
Scale 1:50



Proposed East Facing Elevation
Scale 1:50



Proposed West Facing Elevation
Scale 1:50



Proposed North Facing Elevation
Scale 1:50

10 0 10 20 50 100mm NATURAL SCALE

NOTES

1. No dimensions to be scaled. IF IN DOUBT ASK.
2. All dimensions must be checked and verified on site by the Contractor prior to the commencement of works and Hinchliffe Architecture & Design Ltd. to be notified of any discrepancies.
3. The copyright of these drawings remains the property of Hinchliffe Architecture & Design Ltd. They must not be reproduced in any way without prior written consent from the originator (Hinchliffe Architecture & Design Ltd.)

Rev.	Date	Description
A	07/01/25	FIRST ISSUE

Status: PLANNING

hinchliffe
#rchitecture & design

Hinchliffe A&D
24 Carr View Road
Highworth
Wiltshire
SN9 7JX

01753 907 742
01484 620 744
info@hinchliffe-architecture.co.uk
www.hinchliffe-architecture.co.uk

Client: MR J. ORWIN

Project: 1 LOW FOLD COURT
DENBY LANE
UPPER DENBY
HUDDERSFIELD
HD8 8TZ

Drawing Title: EXISTING AND PROPOSED SITE LAYOUTS, ELEVATIONS & FLOOR PLAN

Scale (at A1): AS SHOWN | Date: JAN' 2025

Drg. no.: 293-25-PL01 | Rev.: A