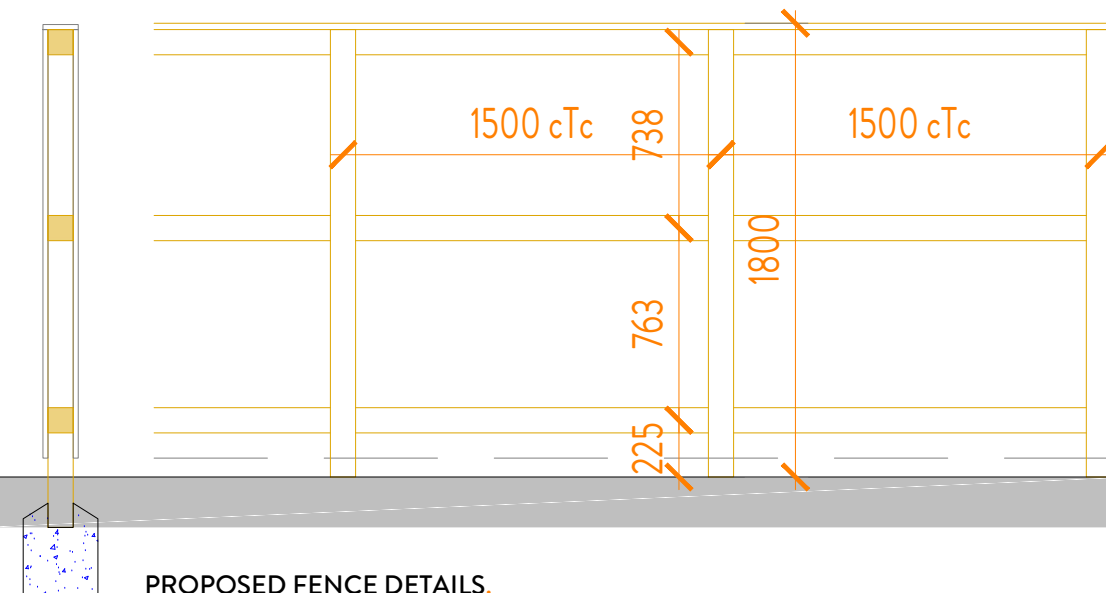
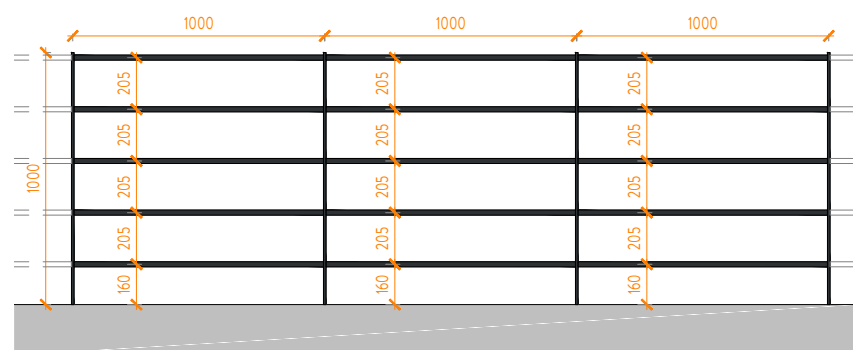


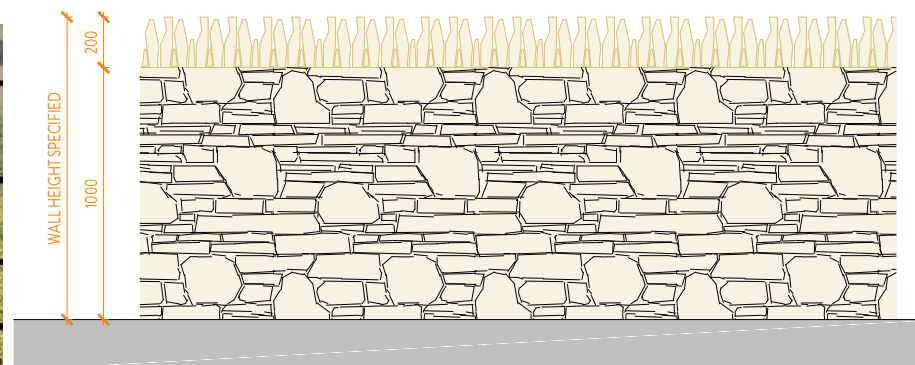
PROPOSED FENCE DETAILS.



PROPOSED FENCE DETAILS.



PROPOSED RAILINGS DETAILS.



PROPOSED DRY STONE WALL DETAILS.



REVISION	DESCRIPTION	DATE	STATUS
B	IMAGES ADDED	30.08.22	
-	-	-	
-	-	-	
-	-	-	
-	-	-	
-	-	-	
-	-	-	
-	-	-	
-	-	-	
-	-	-	

PLANNING DRAWING

ORANGE DESIGN STUDIO.
ARCHITECTURAL PRACTICE

hello@orangedesignstudio.co.uk
59A, Huddersfield Road, Mirfield, WF14 8AA
orangedesignstudio.co.uk
01924 650930

COPYRIGHT © ORANGE DESIGN STUDIO LIMITED

PROJECT TITLE				YEW TREE FARM			
DRAWING TITLE				BOUNDARY TREATMENT DETAILS			
SCALE	DRAWN	CHECKED	PROJECT REFERENCE				
1:200	JH	JH	ODS_20/294				
PAPER SIZE	DWG NUMBER	DATE	REVISION				
A3	(20)004	25/3/21	B				
CLIENT				RADCLIFFE DEVELOPMENTS (FARNLEY)			