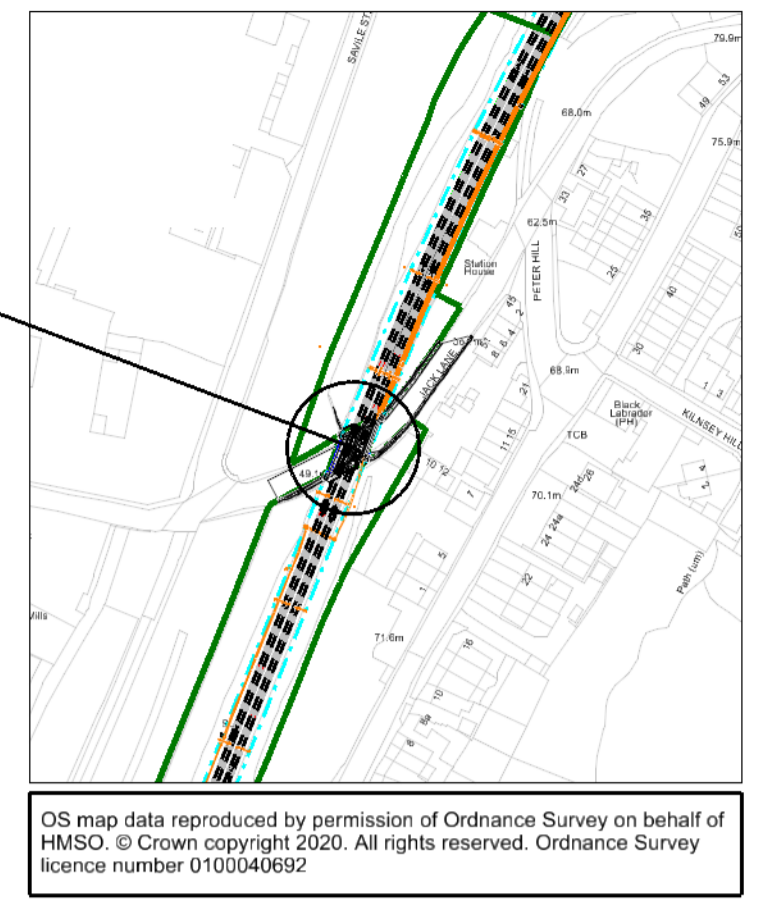
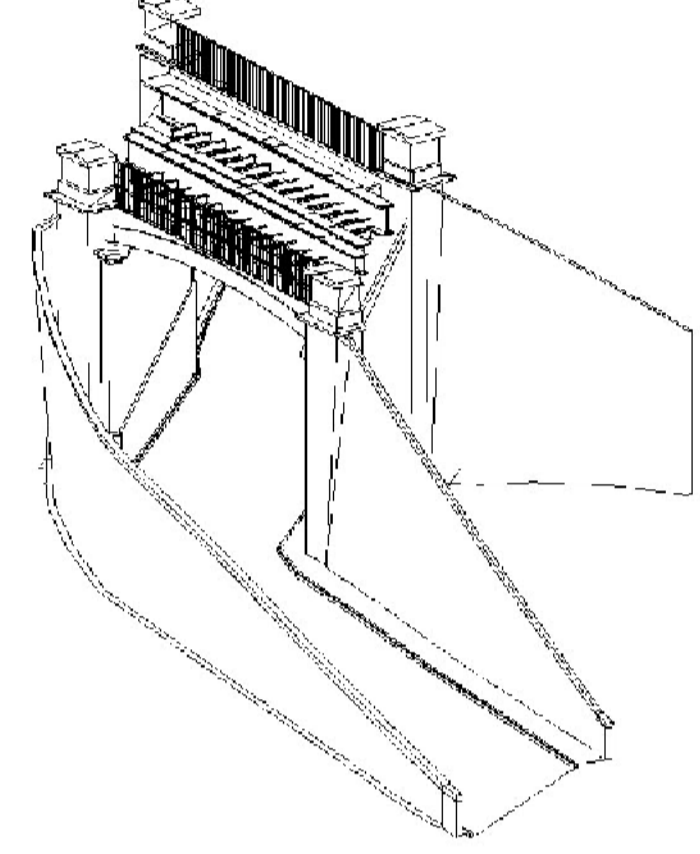


Existing Plan: Jack Lane Underbridge (MDL1/24)  
Scale 1:100



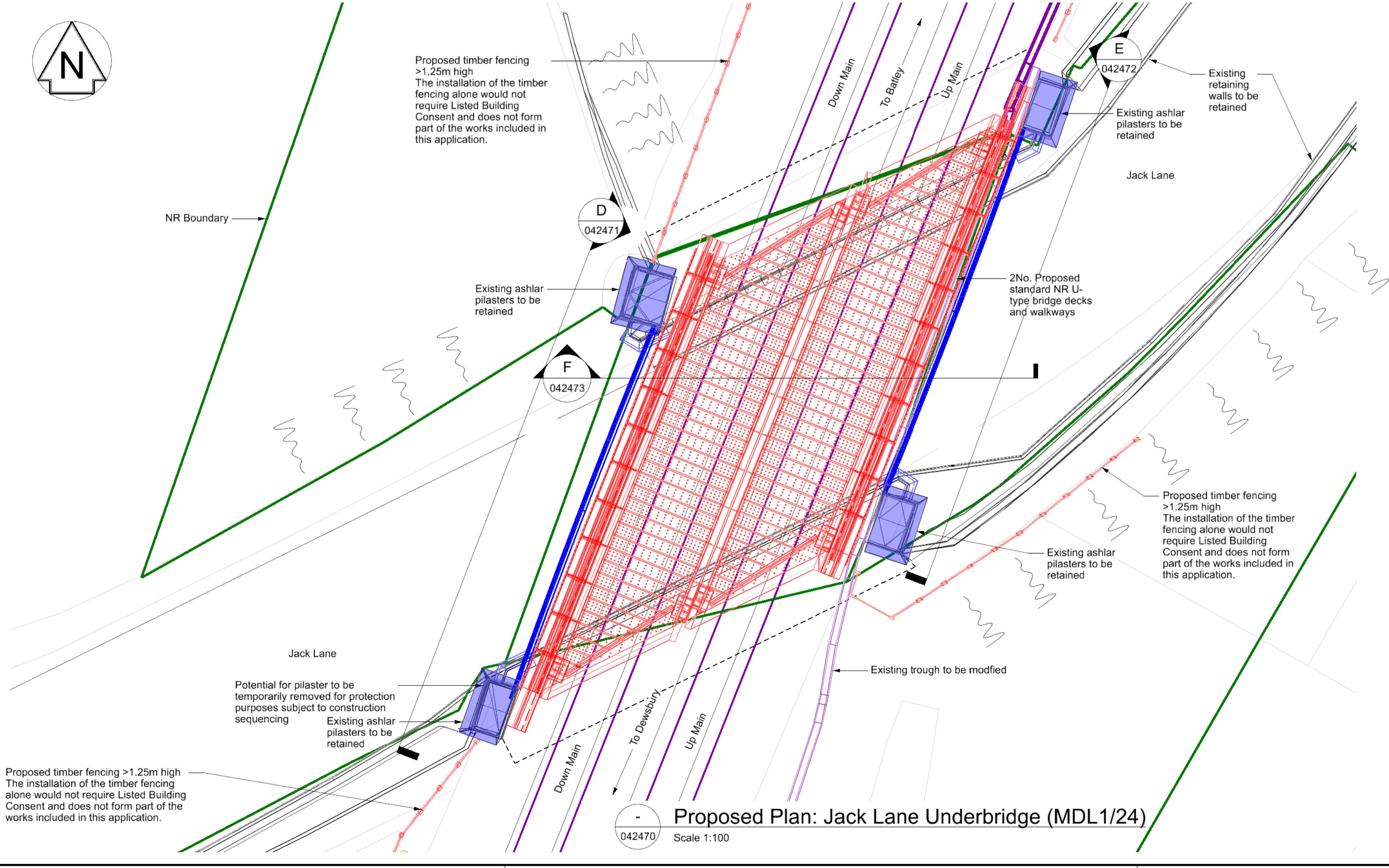
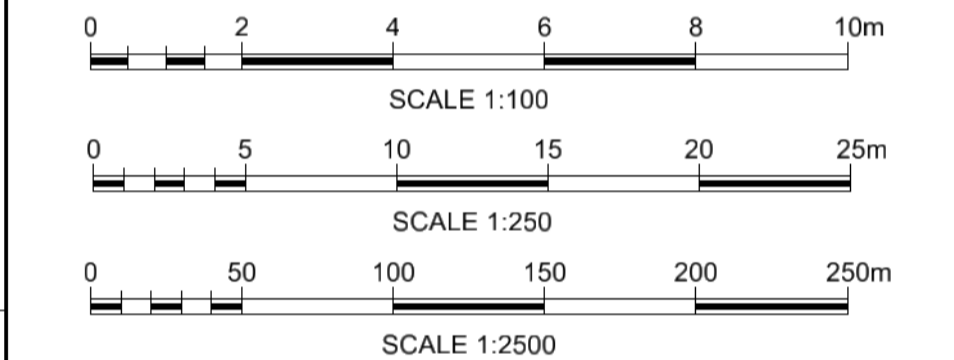
1 Location Plan  
042470 SCALE 1:2500



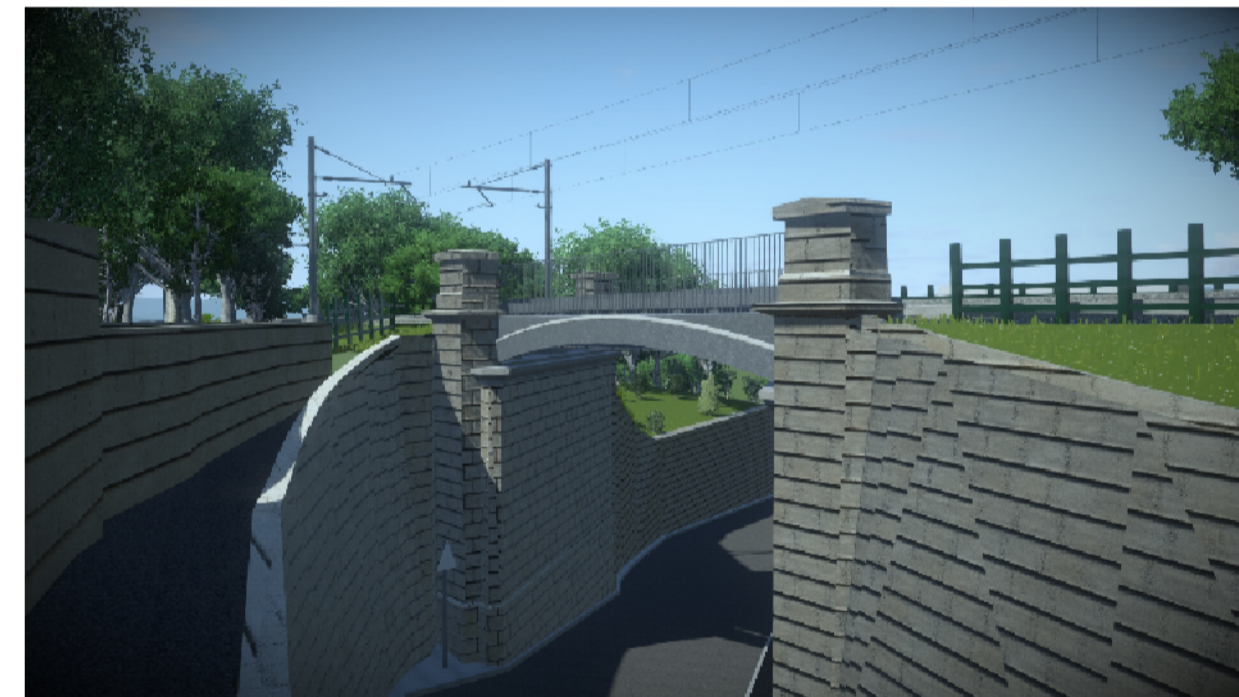
Existing Isometric View  
042470 SCALE 1:250

- Legend/Notes
- All dimensions are in millimetres unless stated otherwise.
  - All levels are in metres above ordnance datum newlyn and coordinated to TPEN16 tertiary control.
  - This drawing is based on point cloud survey 151667-TSA-W4-MDL1-DM3-X-MF-701604 and historical drawings:
    - Existing General Arrangement - B09649-001
    - Proposed Waterproofing of Deck - B09649-002
    - Waterproofing & Painting - Existing GA - CE09649/003
    - Waterproofing & Drainage Details - CE09649-004
    - Waterproofing & Painting Details - CE09649/005
  - This drawing is to be read in conjunction with drawings:
    - 151667-TSA-40-DRG-C-ST-042471 - Elevations
    - 151667-TSA-40-DRG-C-ST-042472 - North Abutment and Wing Walls
    - 151667-TSA-40-DRG-C-ST-042473 - South Abutment and Wing Walls

- Legend
- Proposed
  - LBC Boundary
  - To be modified, retained and/or temporarily removed and reinstated
  - Existing
  - Indicative Network Rail land boundary
  - Other works undertaken by TRU, Listed Building Consent not required



Proposed Plan: Jack Lane Underbridge (MDL1/24)  
Scale 1:100



Proposed Isometric View  
042470 SCALE 1:NTS

P01	27/09/24	First Issue	BD	RK	NW
P02	10/01/25	Listed Building Consent	BD	NW	NW
P03.1					
Rev	Date	Description of Revisions	Drawn	Chkd	Appr
Status					Suitability
					S2



Authorised \_\_\_\_\_ Signed \_\_\_\_\_ Date \_\_\_\_\_

Contractor(s)  
**TRU West Alliance**

Location	THORNHILL LNW JN - HOLBECK EAST JN (MIRFIELD - LEEDS)				
Type	CAD Drawing	Sub-type	General Arrangement		
Role	Civil Engineer	Sub-Role	Structures and Buildings		
Zone	Dewsbury to Batley - Area A				
Phasing	Existing	Project Stage	PAGE 2 ES5		
Project					

**Transpennine Route Upgrade**

Contract No.  
**151667**

Contract Title  
**TRU - West of Leeds**

Drawing Title  
**W4 - Area A - MDL1/24 Jack Lane Underbridge Listed Building Consent Existing/Proposed Plan**

Designed	D.Pho	Signed		Date	
Drawn		Signed		Date	
Checked		Signed		Date	
Approved		Signed		Date	

Scale(s)  
**As Shown** ELR & Mileage **34.0856** to **0**

Alternative Reference \_\_\_\_\_ Sheet **1** of **4**

Drawing Number  
151667-TSA-40-MDL1-DRG-C-ST-042470 Revision  
**P03.1**