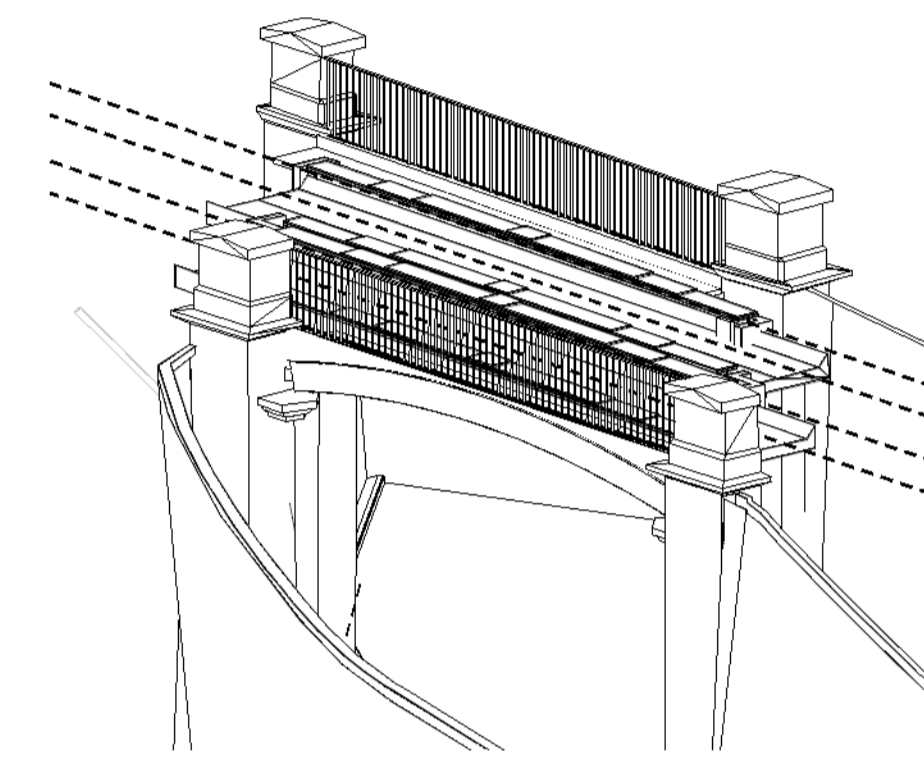


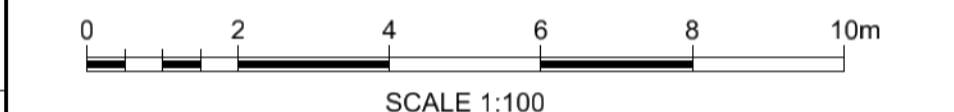
B Existing East Elevation: Jack Lane Underbridge (MDL1/24)
042472 SCALE 1:100



Existing Isometric View
042472 Scale 1:NTS

- Legend/Notes
- All dimensions are in millimetres unless stated otherwise.
 - All levels are in metres above ordnance datum newlyn and coordinated to TPEN16 tertiary control.
 - This drawing is based on point cloud survey 151667-TSA-W4-MDL1-DM3-X-MF-701604 and historical drawings:
 - Existing General Arrangement - B09649-001
 - Proposed Waterproofing of Deck - B09649-002
 - Waterproofing & Painting - Existing GA - CE09649/003
 - Waterproofing & Drainage Details - CE09649-004
 - Waterproofing & Painting Details - CE09649/005
 - This drawing is to be read in conjunction with drawings:
 - 151667-TSA-40-DRG-C-ST-042471 - Elevations
 - 151667-TSA-40-DRG-C-ST-042472 - North Abutment and Wing Walls
 - 151667-TSA-40-DRG-C-ST-042473 - South Abutment and Wing Walls

- Legend
- Proposed
 - To be modified, retained and/or temporarily removed and reinstated
 - Existing
 - Indicative Network Rail land boundary
 - Other works undertaken by TRU, Listed Building Consent not required



| P01 | 27/09/24 | First Issue | | BD | RK | NW |
|-------|----------|--------------------------|-------|------|------|-------------|
| P02 | 10/01/25 | Listed Building Consent | | BD | NW | NW |
| P03.1 | | | | | | |
| Rev | Date | Description of Revisions | Drawn | Chkd | Appr | Suitability |
| | | | | | | S2 |



Authorised _____ Signed _____ Date _____

Contractor(s) **TRU West Alliance**

Location **THORNHILL LNW JN - HOLBECK EAST JN (MIRFIELD - LEEDS)**

Type **CAD Drawing** Sub-type **Elevation**

Role **Civil Engineer** Sub-Role **Structures and Buildings**

Zone **Dewsbury to Batley - Area A**

Phasing **Existing** Project Stage **PACE 2 ES5**

Project **Transpennine Route Upgrade**

Contract No. **151667**

Contract Title **TRU - West of Leeds**

Drawing Title **W4 - Area A - MDL1/24 Jack Lane Underbridge - Listed Building Consent - Existing/ Proposed East Elevations**

Designed **D.Pho** Signed _____ Date _____

Drawn _____ Signed _____ Date _____

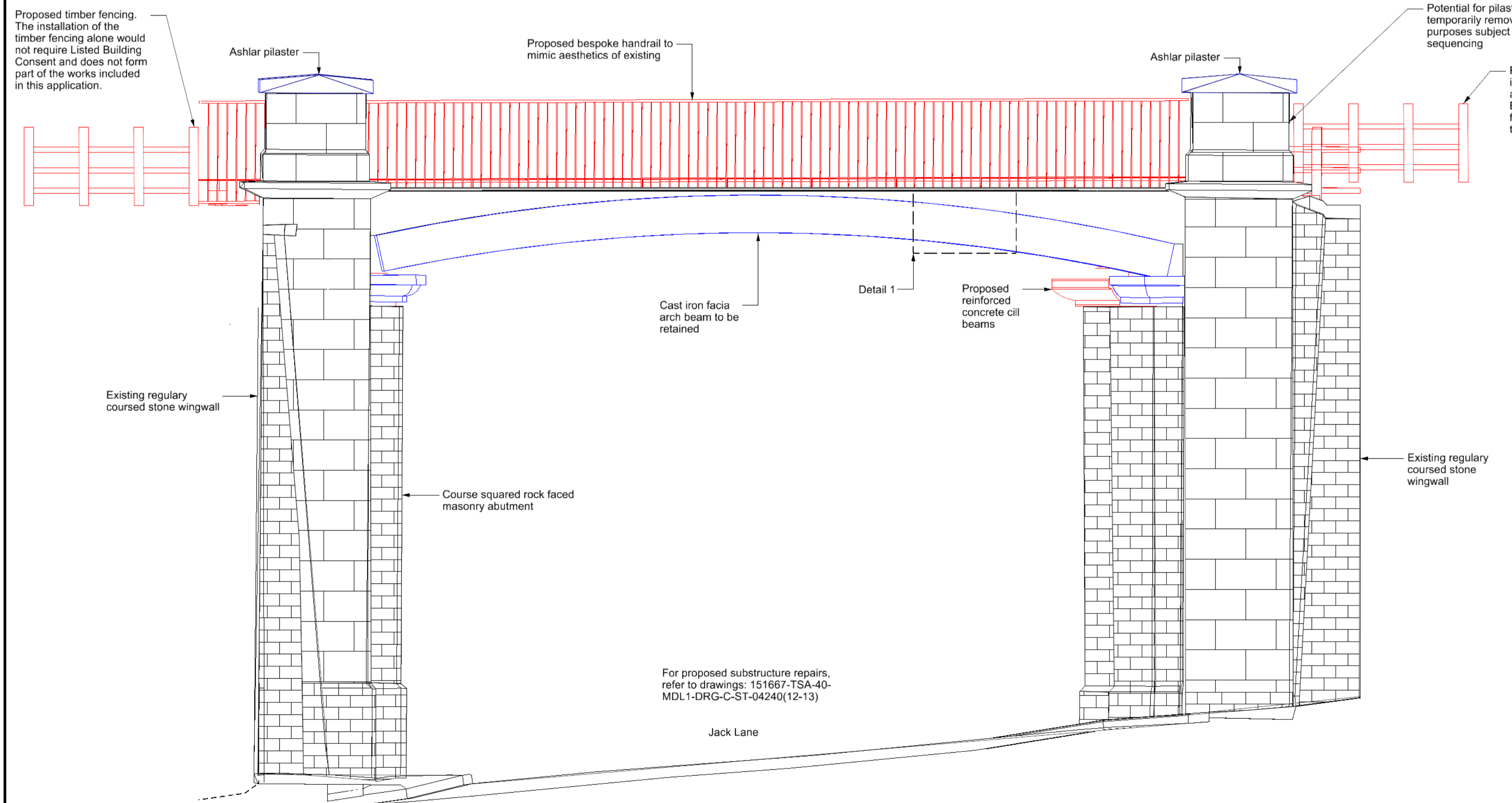
Checked _____ Signed _____ Date _____

Approved _____ Signed _____ Date _____

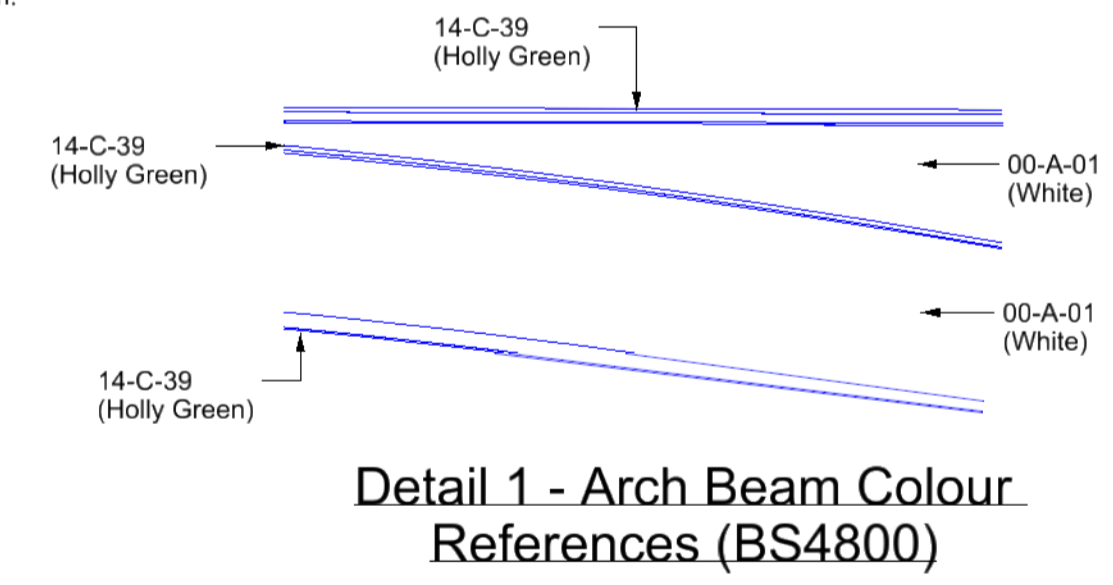
Scale(s) **As Shown** ELR & Mileage **34.0856** to **0**

Alternative Reference _____ Sheet **3** of **4**

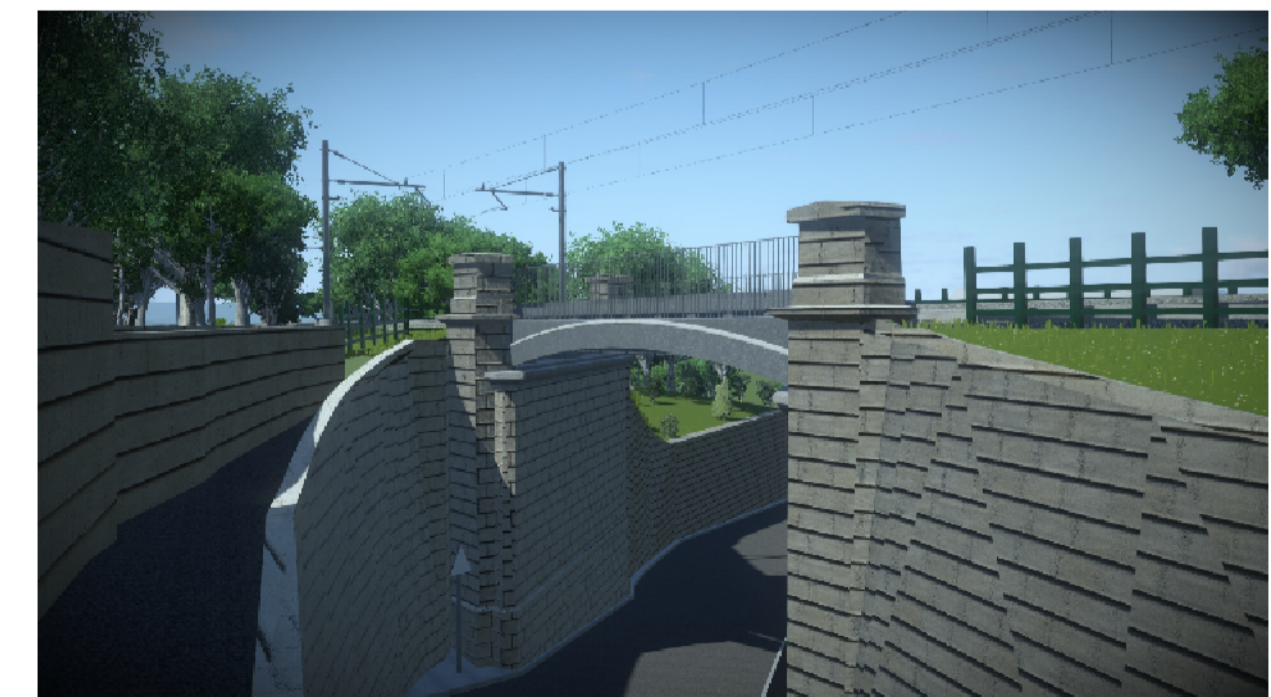
Drawing Number **151667-TSA-40-MDL1-DRG-C-ST-042472** Revision **P03.1**



E Proposed East Elevation: Jack Lane Underbridge (MDL1/24)
042472 SCALE 1:100



Detail 1 - Arch Beam Colour References (BS4800)



Proposed Isometric View
042472 Scale 1:NTS