



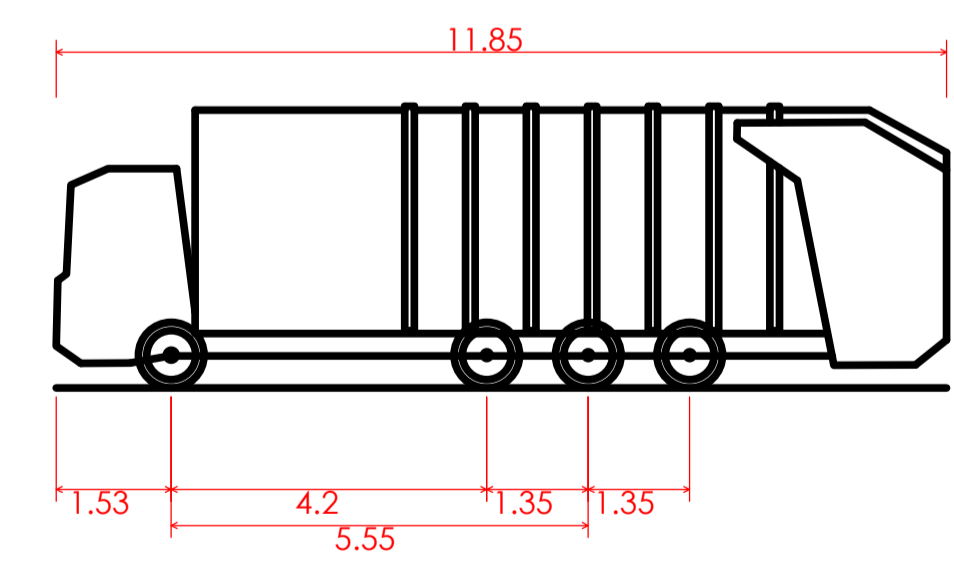
Standard Notes

1. This drawing is to be read in conjunction with all relevant Architect's and Engineer's drawings and specification.
2. This drawing should not be scaled.

Location Plan

Notes and Keys

Date	Rev	Description	Drawn	Checked
28.03.25	B	Site layout plan updated	JT	JT
13.03.25	A	Vehicle Specification updated	JT	JT



Kirklees Refuse Vehicle.
 Overall Length 11.850m
 Overall Width 2.500m
 Overall Body Height 3.749m
 Min Body Ground Clearance 0.302m
 Track Width 2.490m
 Lock to lock time 6.00s
 Wall to Wall Turning Radius 11.000m

TPS

ADDRESS TPS Transport Consultants Ltd,
 Stonebridge Court,
 151-153 Wakefield Road,
 Holbury, Wakefield,
 WF4 5HZ

Project
 P2445,
 Main Avenue,
 Kirklees

Title
 Swept Path Analysis

Status

INFORMATION

Scale @ A1	Date Created	Drawn	Checked
SHOWN	10/09/24	ST	JT

TPS Project Number	Revision
P2445	B

Drawing Number
 P2445 - T - 1002