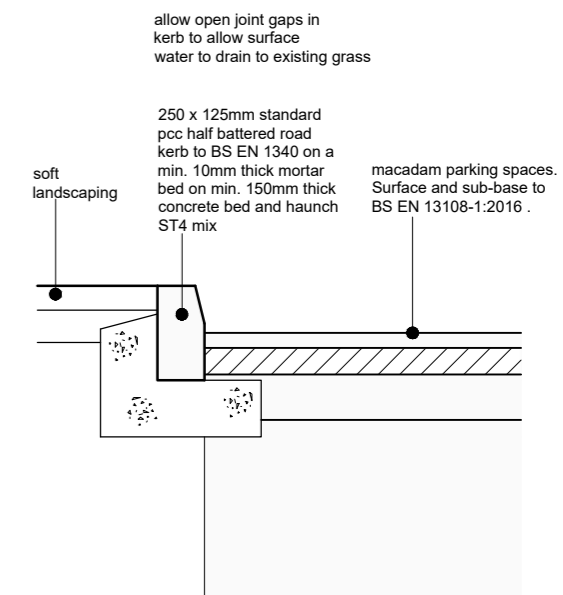




site plan



kerb detail

This drawing has been prepared specifically for the purpose of obtaining Planning Permission and/or Building Regulation Approval. Its suitability for other purposes, without supplementary details and specifications cannot be guaranteed. The Permissions and/or Approvals are beyond the Architects control, and no guarantee that such will be granted is given or to be inferred by reason of the preparation of this drawing.

Only figured dimensions are to be used. All dimensions to be checked on site. This drawing together with the design is the property and copyright of the Architect and must not be reproduced without prior written permission.

rev.	description	date	drawn	app'd
P04	added new tree planting further to small sites metric calculations	15.01.25	JW	NG
P03	added wildflower planting	11.12.24	JW	NG
P02	added additional parking space	11.12.24	JW	NG
P01	Drawing originated	09.12.24	JW	NG



project New staff car parking spaces
 at KAL, Holmfirth Pool & Fitness,
 Huddersfield Road, HD9 3JL
 for Mel Green Construction

title Site plan as proposed
 number 24114D-02-P04
 scale 1:200 / 1:20
 size A2