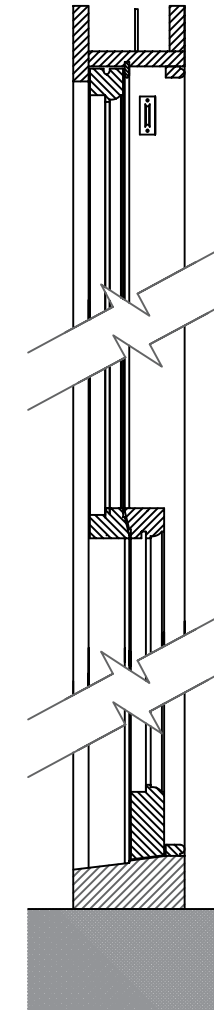
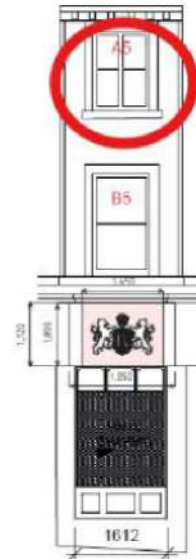
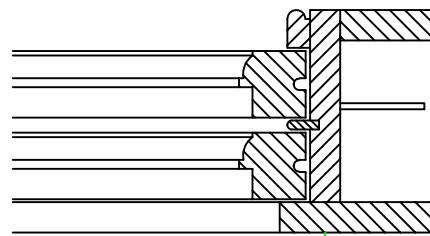


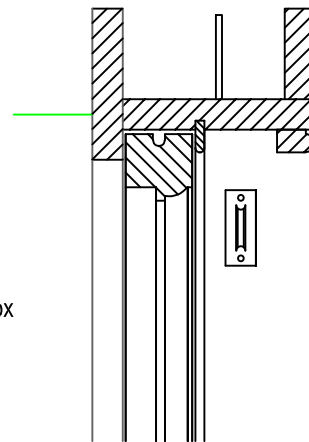
Front Elevation Reference Drawing - NTS



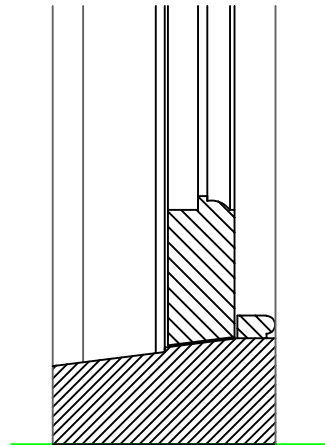
Scale: 1:10 @A4  
Proposed Cross Section



Typical Section Through Softwood Window Sash Box  
Scale: 1:5 @A4



Top Rail  
Scale: 1:5 @A4



Bottom Rail & Cill  
Scale: 1:5 @A4

Title: Replacement Timber Framed Window Cross Sections

Client:  
Footasylum Limited,  
Sandbrook House,  
Sandbrook Park,  
Rochdale,  
OL11 1RY

Address:  
33-37 King Street,  
Huddersfield,  
West Yorkshire,  
HD1 2PZ

Scale: 1:10 @A4

Drawing No.01

Date: September 24