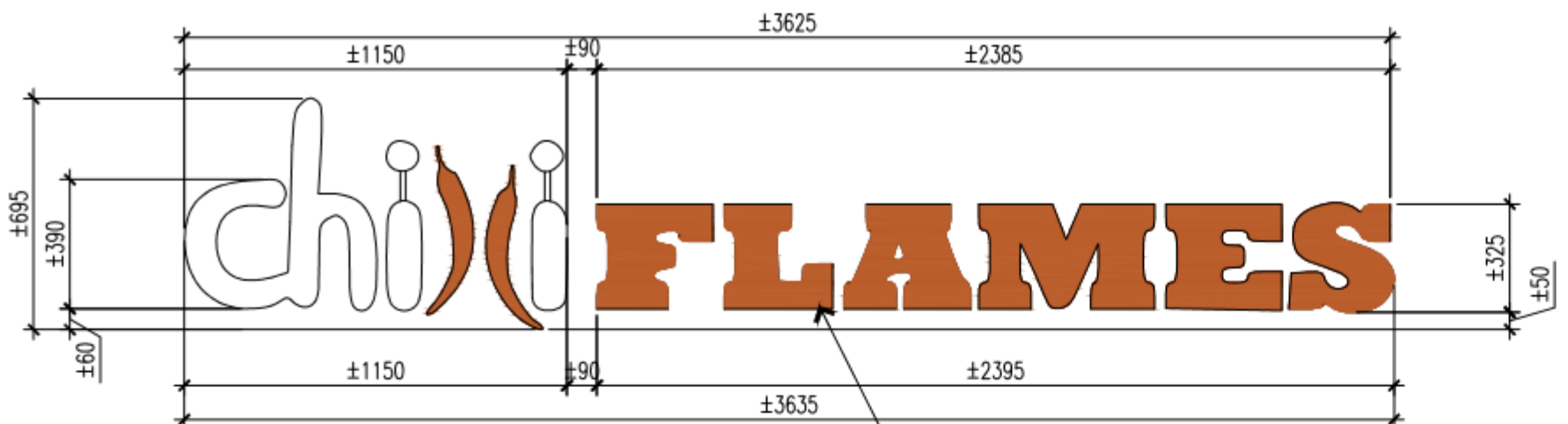




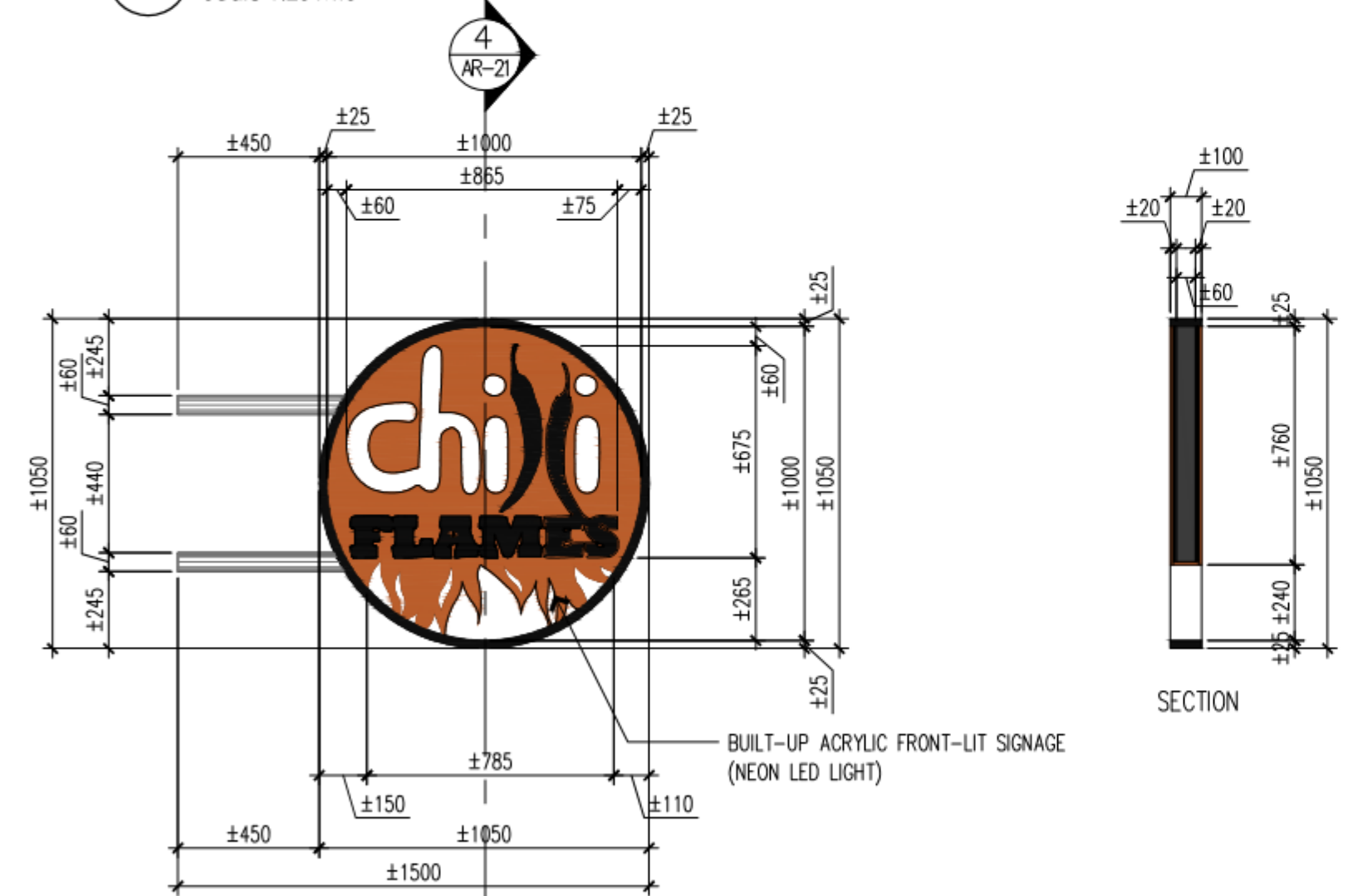
1 FACADE DETAILS  
Scale 1:50 MTS  
AR-21



3D IMAGE OF SHOP FRONT SIGNAGE



2 SHOP FRONT SIGNAGE DETAILS  
Scale 1:20 MTS  
AR-21

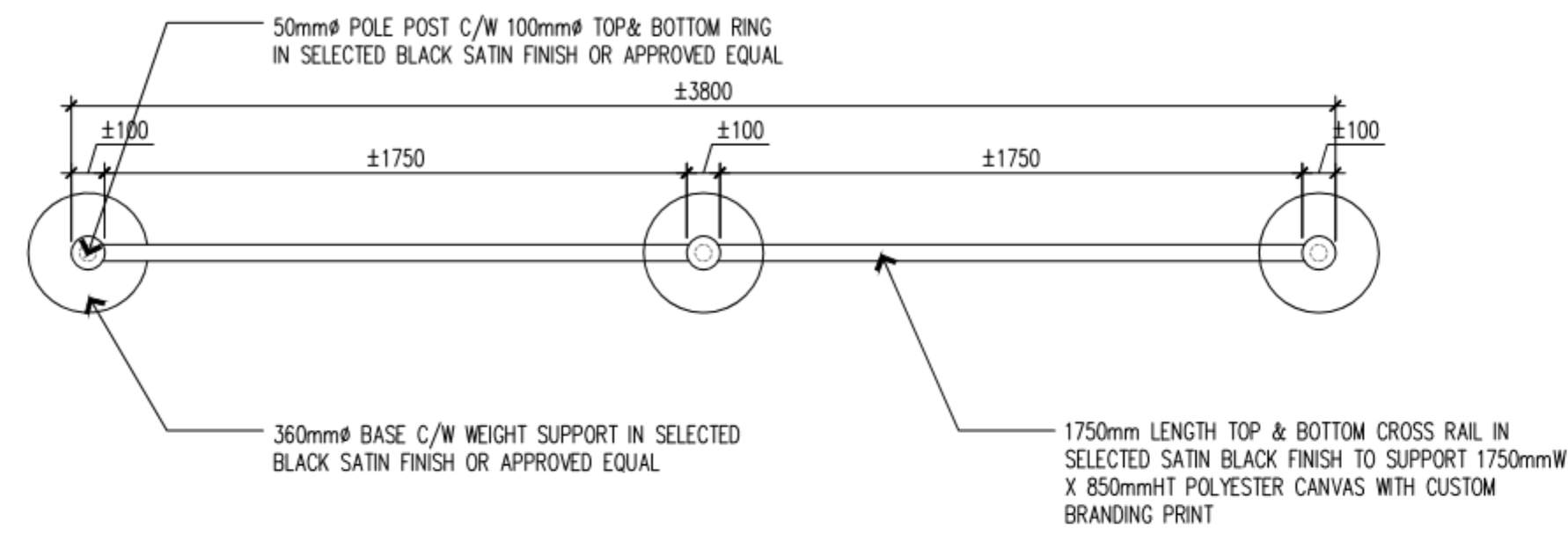


3 SIGNBOARD SIGNAGE DETAILS  
Scale 1:20 MTS  
AR-21

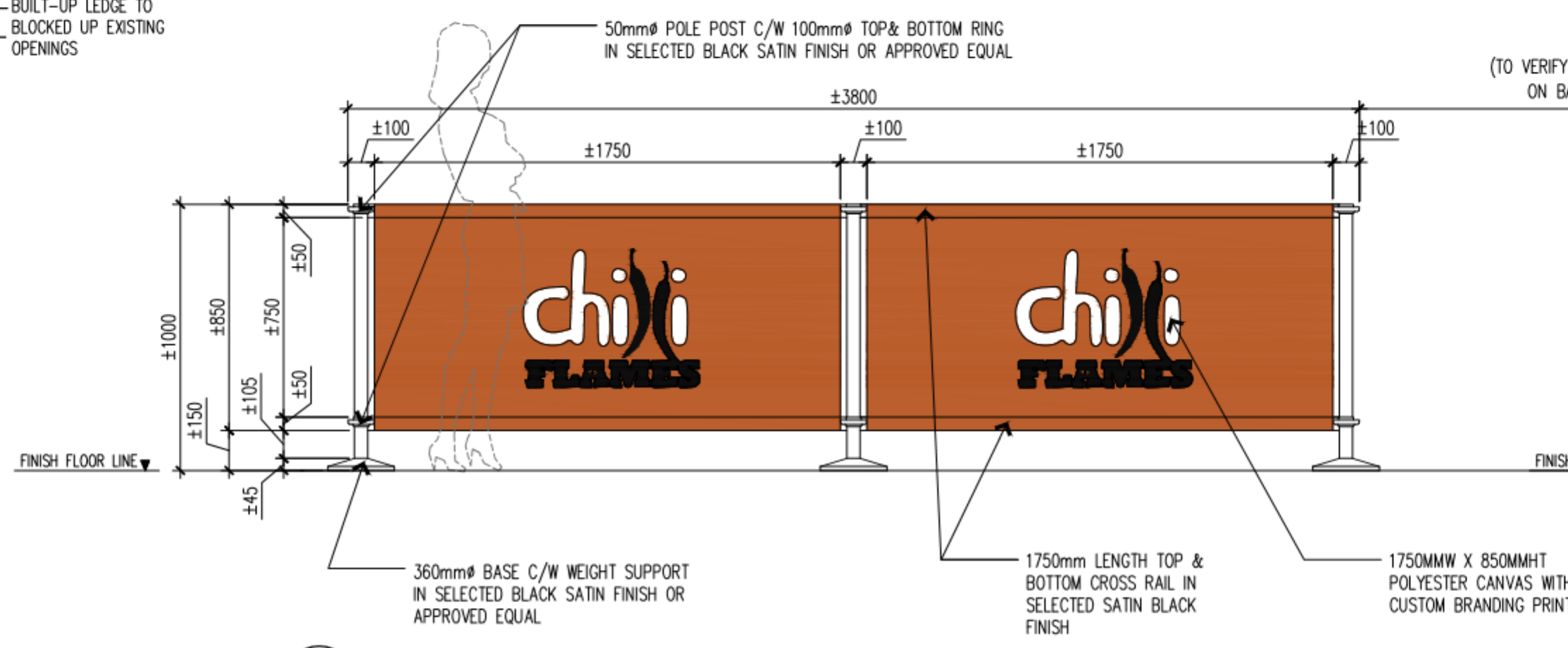
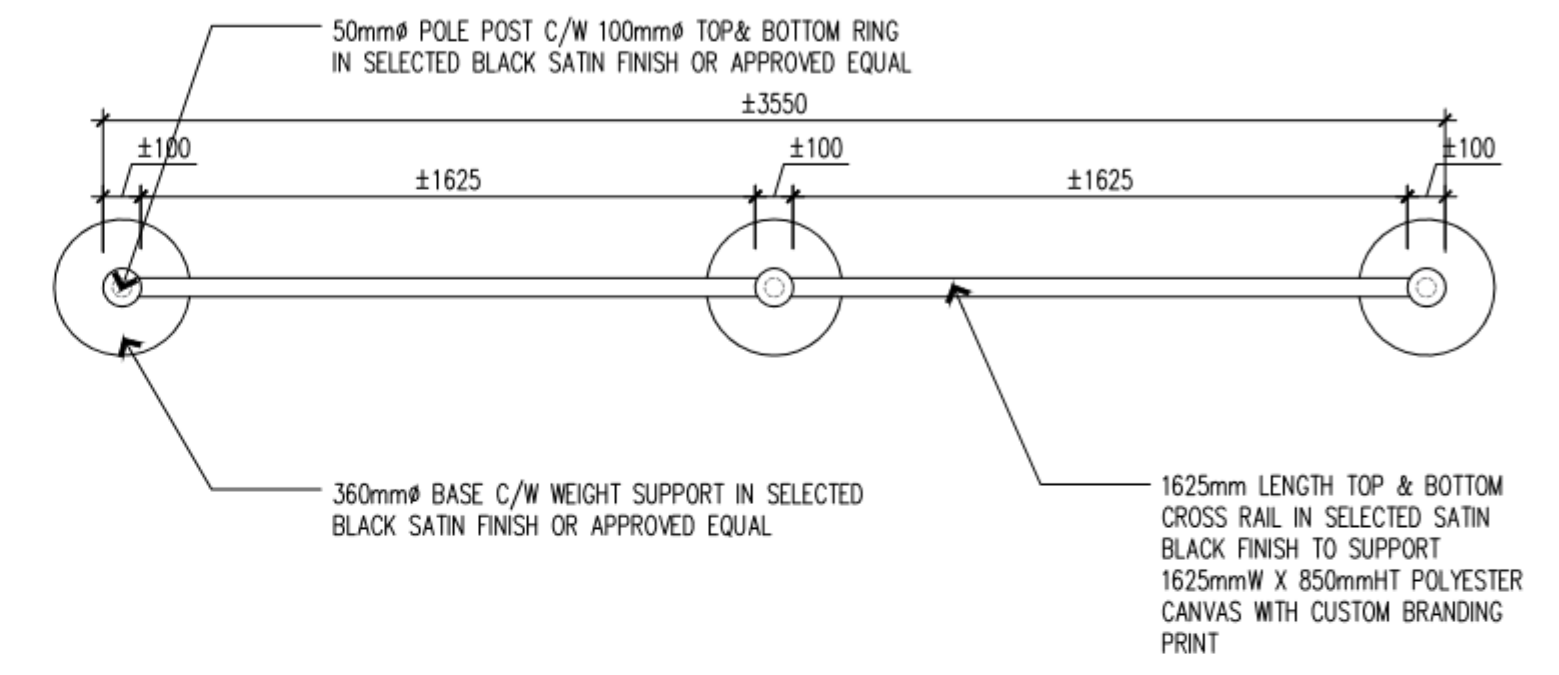
4 SIGNBOARD SIGNAGE SECTION DETAILS  
Scale 1:20 MTS  
AR-21



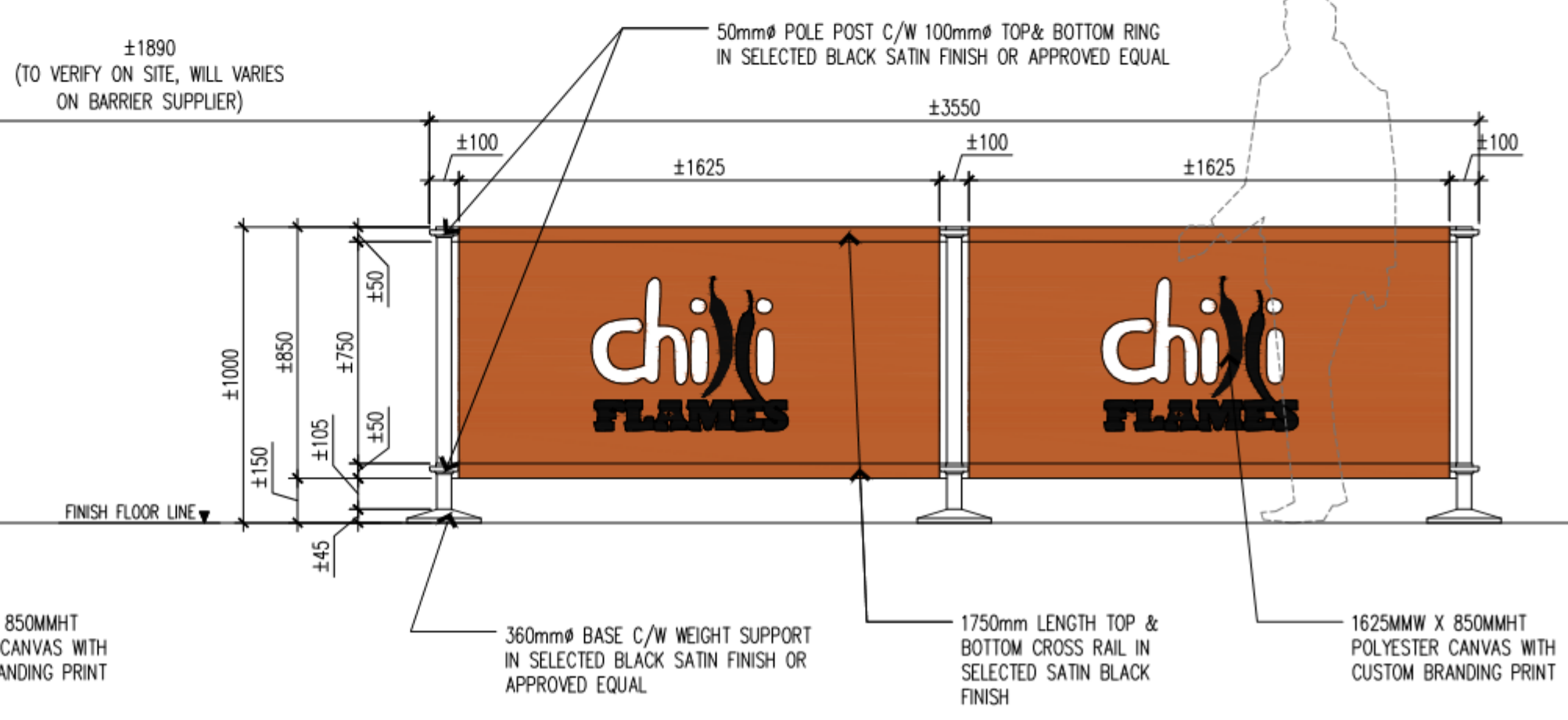
ROUND SIGNBOARD REFERENCE IMAGE



5 BARRIER DETAILS (PLAN)  
Scale 1:20 MTS  
AR-21



6 BARRIER DETAILS (ELEVATION)  
Scale 1:20 MTS  
AR-21



3D IMAGE OF BARRIER



BOTTOM RING REFERENCE IMAGE



TOP RING REFERENCE IMAGE



BARRIER REFERENCE IMAGE



BARRIER POLE REFERENCE IMAGE

NOTES

- All drawings to be read in conjunction with Structural Engineer's details & any relevant sub-contractor's details. All works to comply with current Building Regulations, British Standards & Codes of Practice.
- The Main Contractor & Sub-Contractor where applicable will be responsible for checking all dimensions on site & reporting any discrepancies to all relevant consultants.
- The contractor must familiarize himself with the site and measure all areas affecting his work. All dimensions must be verified on site prior to manufacture of any piny or works on or off site.
- All works to be carried out by approved installation contractors, and to manufacturers recommendations.
- All dimensions to be in millimeters.
- Contractor to ensure that all work meets the requirements of the EHO, Building Control, Fire Authority and all other statutory bodies.
- All shop-fit decoration to achieve Class '0' surface spread of flame in accordance with BS476, Part 7, 1971 or 1987.
- All stained timber areas to be treated with Thermoguard or similar to achieve Class '0' surface spread of flame. All pointed timber areas to be treated with Thermoguard Timbercoat or similar to achieve Class '0' surface spread of flame.
- Where MDF is specified this is to be Zero or Low Formaldehyde type MDF made to British Standards.
- The contractor is to ensure that all walls to be decorated are prepared prior to decoration and all surfaces smooth level and joint free.
- All applied coatings are to be water based to large wall areas.
- Contractor to allow for one mist coat and two top coats in cases, walls and timberworks.
- New timber to be pressure impregnated with preservative prior to delivery to site. Where subsequent cutting & bonding is necessary all exposed faces to be coated with Proform.

A1 SIZE			
REV	DESCRIPTION	DATE	BY

CHILI FLAMES



PROJECT NAME

CHILI FLAMES

234 Lockwood Road, Huddersfield, HD1 3TG

TITLE

FACADE, EXTERIOR SIGNAGE AND BARRIER DETAILS

SHEET NO.	SCALE	DATE	REV
AR-21	AS INDICATED	10/10/22	00

REFERENCE IMAGE SUPPLIER SOURCE: [HTTPS://WWW.CAFEMENUSYSTEMS.CO.UK/CAFE-BARRIER-KIT-2---DOUBLE-SPAN-3834-P.ASP](https://www.cafemenusystems.co.uk/CAFE-BARRIER-KIT-2---DOUBLE-SPAN-3834-P.ASP)  
[HTTPS://YOUTU.BE/PV1PNX5OWWY](https://youtu.be/PV1PNX5OWWY)