

DRAWING NOTES

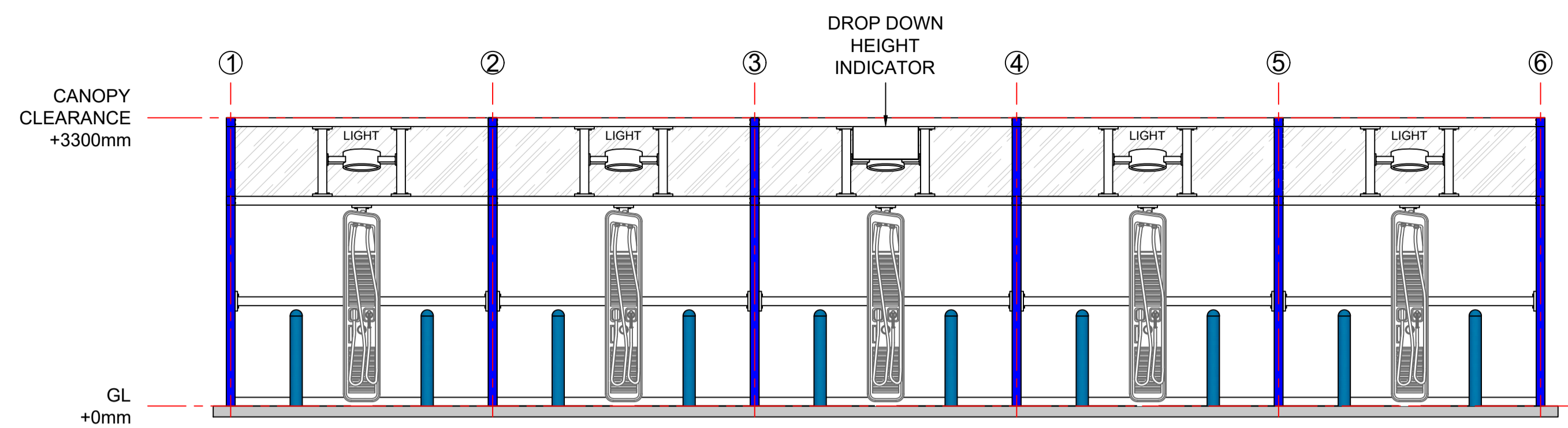
COPYRIGHT ©
 This drawing and the details herein are the copyright of MBH Design Studio Ltd. and must not be reproduced, altered or passed to any third party without prior written consent.
 This drawing has been produced for the project listed below, is submitted in support of this application to the Local Planning Authority and is not intended for use by any other person or for any other purpose.
 Every effort has been made to ensure the accuracy of these drawings, however MBH Design Studio Ltd. accept no responsibility for any discrepancies arising from the reuse of survey information and preliminary drawings commissioned by the Applicant from others.

Materials

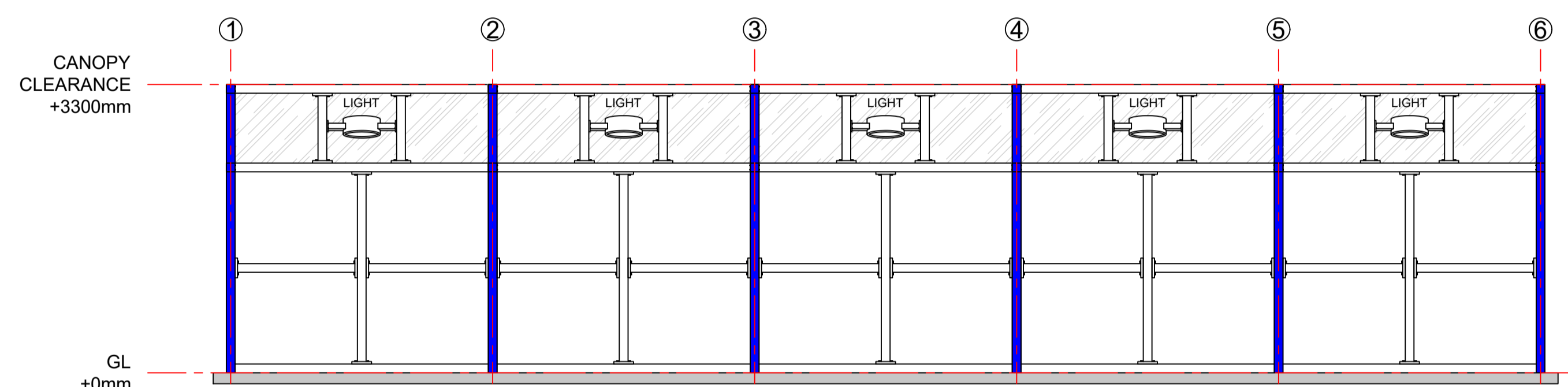
- Powder Coated aluminium cladding panels, blue RAL 5015
- Steel frame columns and rafters, powder coated blue RAL 5015
- Glass support beam SHS finished Grey RAL 7016
- Roof finished in 10mm toughened glass

Lighting

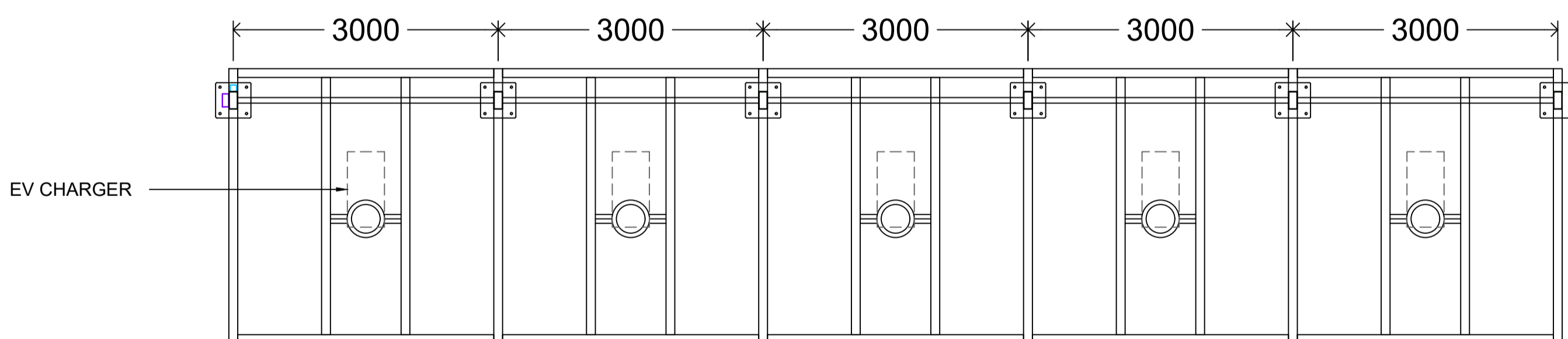
LED Downlights to achieve 100 lux on each bay



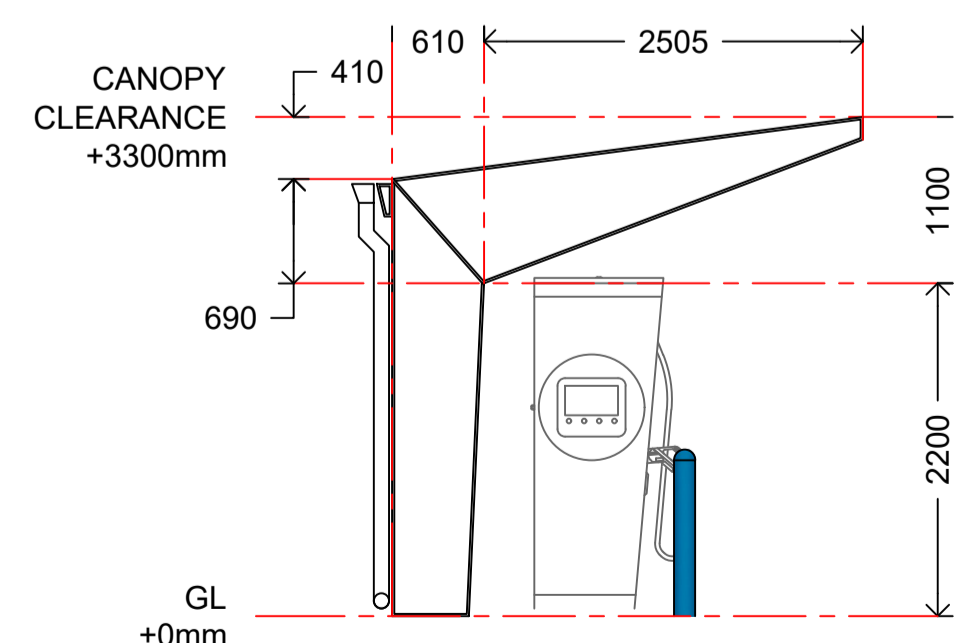
EV CANOPY - TYPICAL FRONT ELEVATION
 SCALE - 1:50



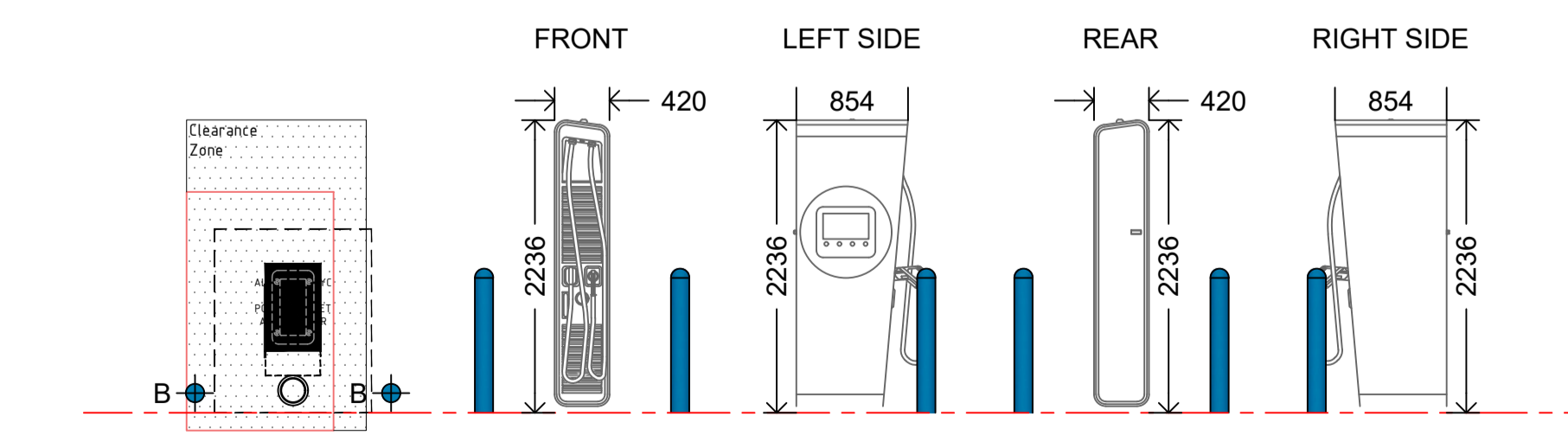
EV CANOPY - TYPICAL REAR ELEVATION
 SCALE - 1:50



EV CANOPY - PLAN
 SCALE - 1:50



EV CANOPY - SIDE ELEVATION
 SCALE - 1:50



ALPITRONIC 150 HYC CHARGER
 SCALE - 1:50



REV	DATE	DESCRIPTION	DRAWN/CHECKED
REVISION NOTES			

PLANNING



MBH Design Studio Ltd.
 Rosemount House, Rosemount Avenue, West Byfleet, Surrey, KT14 6LB
 www.mbhstudio.com t: 01932 352 727 f: 01932 351 545



PROJECT
 FS 665- BRADLEY SERVICE STATION
 LEEDS ROAD
 HUDDERSFIELD, WEST YORKSHIRE
 HD5 0RP

DRAWING TITLE
 EV CANOPY AND CHARGER DETAILS

DRAWN BY	DATE	SCALE	PAPER SIZE
TN	09.02.2023	1:50	A1
CHECKED BY	DRAWING NUMBER	REV.	
RRB	13664-FS 665-22	-	