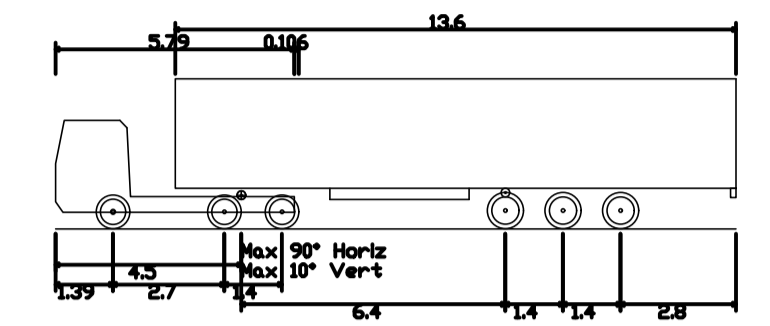


- Sanderson Associates Consulting Engineers ("the consultant"), has not checked or verified, and shall have no liability whatsoever for any inaccuracies which may be attributable to any data, reports, base plan(s) and drawings provided by the client, or purchased by the consultant on the client's behalf, that may have been utilised within this drawing.
- The consultant shall not be liable for the use by any person of any document for any purpose other than that for which the same were provided by the consultant.
- No liability whatsoever is accepted by the consultant for any error or omissions.
- The consultant accepts no liability for any vehicle specification errors within the vehicle track software used and / or its vehicle libraries.



Max Legal Articulated Vehicle (16.5m)  
 Overall Length 16.500m  
 Overall Width 2.500m  
 Overall Body Height 3.632m  
 Min Body Ground Clearance 0.392m  
 Max Track Width 2.500m  
 Lock to lock time 6.00s  
 Kerb to Kerb Turning Radius 6.870m

A	Layout Amended	SB	April 23	KS
Rev	Amendment	Drawn	Date	Checked



Client	PCS Computer Solutions			
Project Title	Land at Grange Moor, Wakefield			
Drawing Title	Swept Path Analysis Articulated Vehicle (16.5m)			
Scale	1:500	Drawn By	SB	
Drawing Size	A1	Checked By	KS	
Date	Jan 2022	Approved By	KS	
	Drawing Number	Rev		
	151716-002	A		