

STS-6000K-H1

Smart Transformer Station



Simple

Prefabricated and Pre-tested, No Internal Cabling Needed Onsite
Compact 20' HC Container Design for Easy Transportation



Efficient

High Efficiency Transformer for Higher Yields
Lower Self-consumption for Higher Yields



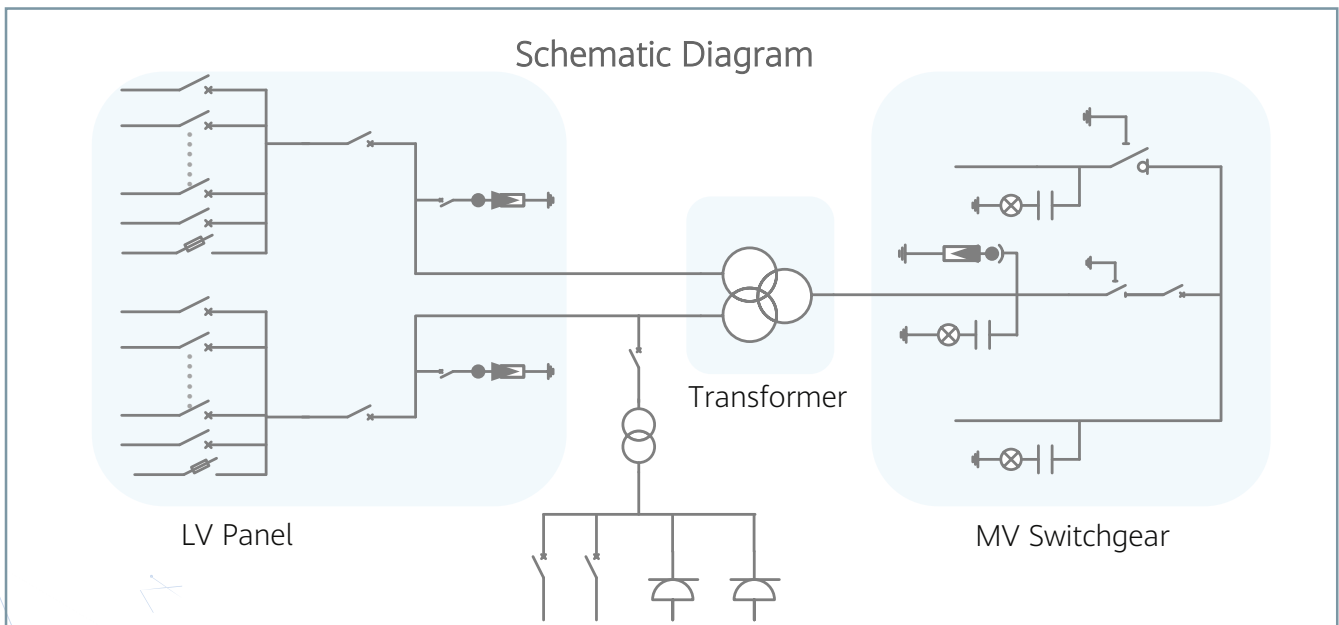
Smart

Real-time Monitoring of Transformer, LV Panel and MV Switchgear
0.2% High Precision Sensor of LV Electricity Parameters
Remote Control of ACB and MV Circuit Breaker



Reliable

Robust Design against Harsh Environments
Optimal Cooling Design for High Availability and Easy O&M
Comprehensive Tests from Components, Device to Solution



Technical Specifications

Input		
Available Inverters	SUN2000-200KTL-H2 / SUN2000-215KTL-H0	
AC Power	6,500 kVA @40°C / 5,920 kVA @50°C ¹	
Max. Inverters Quantity	32	
Rated Input Voltage	800 V	
Max. Input Current at Nominal Voltage	2,482.7 A x 2	
LV Main Switches	ACB (2900 A / 800 V / 3P, 2 x 1 pcs), MCCB (250 A / 800 V / 3P, 2 x 16 pcs)	
Output		
Rated Output Voltage	10 kV, 11 kV, 15 kV, 20 kV, 22 kV, 23 kV, 30 kV, 33 kV, 35 kV ²	13.8 kV, 34.5 kV ²
Frequency	50 Hz	60 Hz
Transformer Type	Oil-immersed, Conservator Type	
Transformer Tappings	± 2 x 2.5%	
Transformer Oil Type	Mineral Oil (PCB Free)	
Transformer Vector Group	Dy11-y11	
Transformer Min. Peak Efficiency Index	In Accordance with EN 50588-1	
Transformer Load Losses	50.1 kW	41.7 kW
Transformer No-load Losses	5.0 kW	6.0 kW
Impedance (HV-LV1, LV2)	8% (0 ~ +10%) @6,500 kVA	
MV Switchgear Type	SF6 Gas Insulated, 3 Units	
MV Switchgear Configuration	1 Transformer Unit with Circuit Breaker 1 Cable Unit with Load Breaker Switch 1 Cable Direct Connection Unit	
Auxiliary Transformer	Dry Type Transformer, 5 kVA, Dyn11	
Output Voltage of Auxiliary Transformer	400 / 230 Vac	220 / 127 Vac
Protection		
Transformer Monitoring & Protection	Oil Level, Oil Temperature, Oil Pressure and Buchholz	
Protection Degree of MV & LV Room	IP 54	
Internal Arcing Fault MV Switchgear	IAC A 20 kA 1s	
MV Relay Protection	50/51, 50N/51N	
MV Surge Arrester for MV Circuit Breaker	Equipped	
LV Overvoltage Protection	Type I+II	
General		
Dimensions (W x H x D)	6,058 x 2,896 x 2,438 mm (20' HC Container)	
Weight	< 22 t (48,502 lb.)	
Operating Temperature Range	-25°C ~ 60°C ³ (-13°F ~ 140°F)	
Relative Humidity	0% ~ 95%	
Max. Operating Altitude	2,000 m (6,562 ft.)	2,500 m (8,202 ft.)
Enclosure Color	RAL 9003	
Communication	Modbus-RTU, Preconfigured with Smartlogger3000B	
Applicable Standards	IEC 62271-202, EN 50588-1, IEC 60076, IEC 62271-200, IEC 61439-1	
Features		
Auxiliary Transformer (50 kVA, Dyn11)	Optional ⁴	
1.5 kVA UPS	Optional ⁴	
MV Switchgear Updated to: 1 Transformer Unit with Circuit Breaker 2 Cable Units with Load Breaker Switch	Optional ⁴	
Updated to 25kA 1s MV Switchgear	Optional ⁴	
IMD	Optional ⁴	
STS Interlocking	Optional ⁴	

- 1 - More detailed AC power of STS, please refer to the de-rating curve.
2 - Rated output voltage from 10 kV to 35 kV, more available upon request
3 - When ambient temperature ≥55°C, awning shall be equipped for STS on site by customer.
4 - Extra expense needed for optional features which standard product doesn't contain.