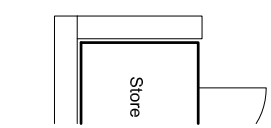
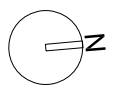
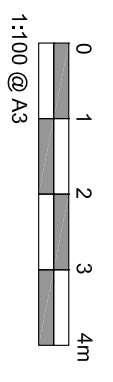
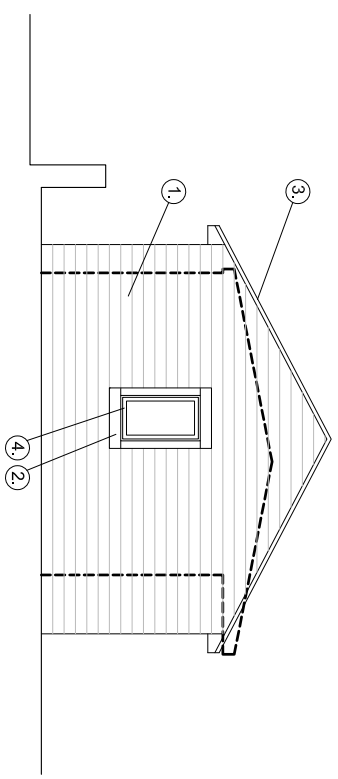


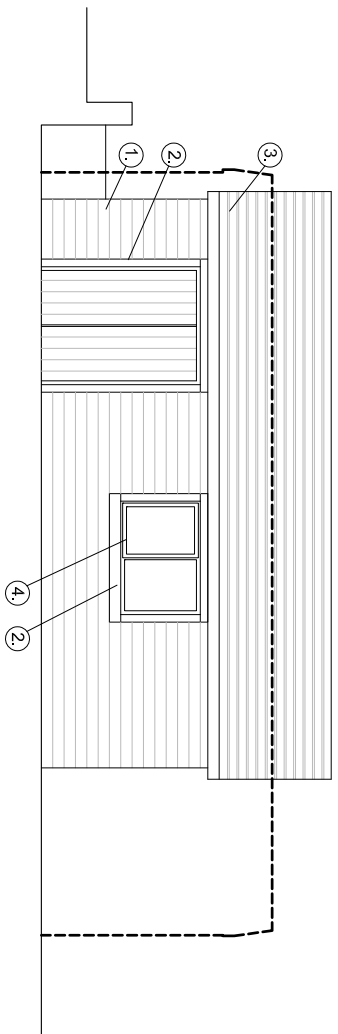
Floor Plan 1.100 @ A3



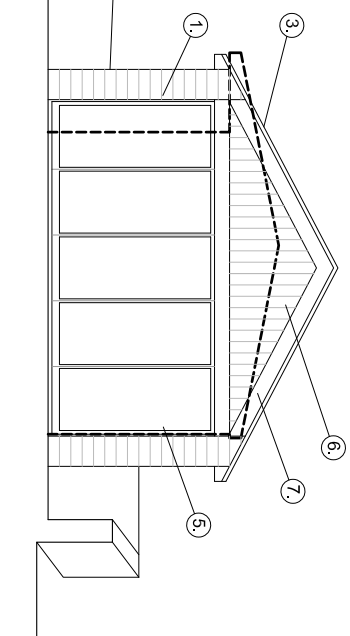
South Elevation (facing driveway)



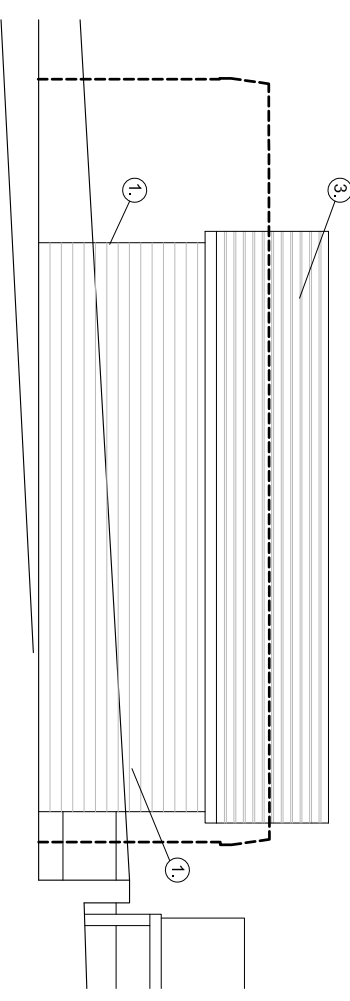
East Elevation (facing garden)



North Elevation (facing field)



West Elevation (facing Gill Birks)



- Materials Key
- ① Reconstituted Stone
 - ② Projecting reconstructed stone surround to windows and door
 - ③ Slate effect roof tiles
 - ④ Aluminium window frames
 - ⑤ Aluminium sliding folding doors
 - ⑥ Natural timber cladding set back above sliding doors
 - ⑦ Exposed timber truss within gable

CLIENT		Mr & Mrs R Bennett	
PROJECT		33 Wishaw Road, Meltham, Holmfirth, Huddersfield	
DRAWING TITLE		Proposed outbuilding (to replace stable) plan & elevations	
SCALE	DATE OF ISSUE	PROJECT NO.	ISSUANCE NO.
1:100 @ A3	04.08.21	0015	AP006
			REVISION
			D