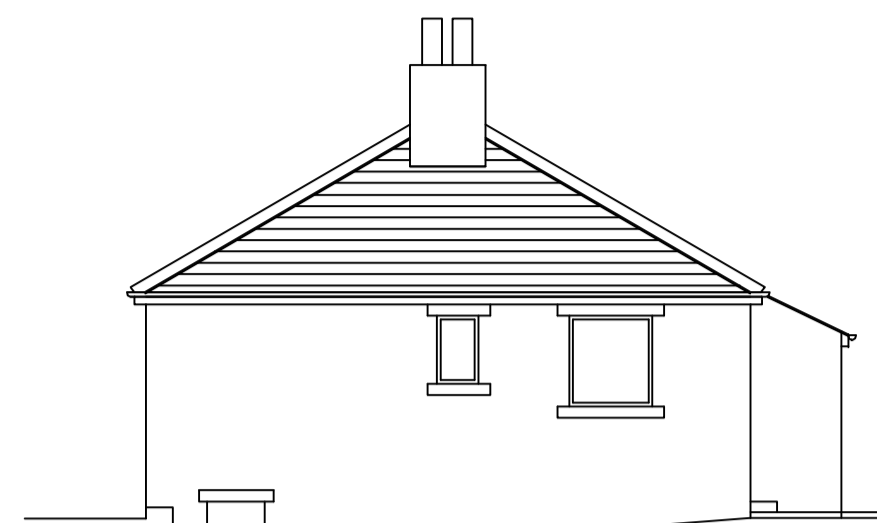


SE ELEVATION (EXISTING)



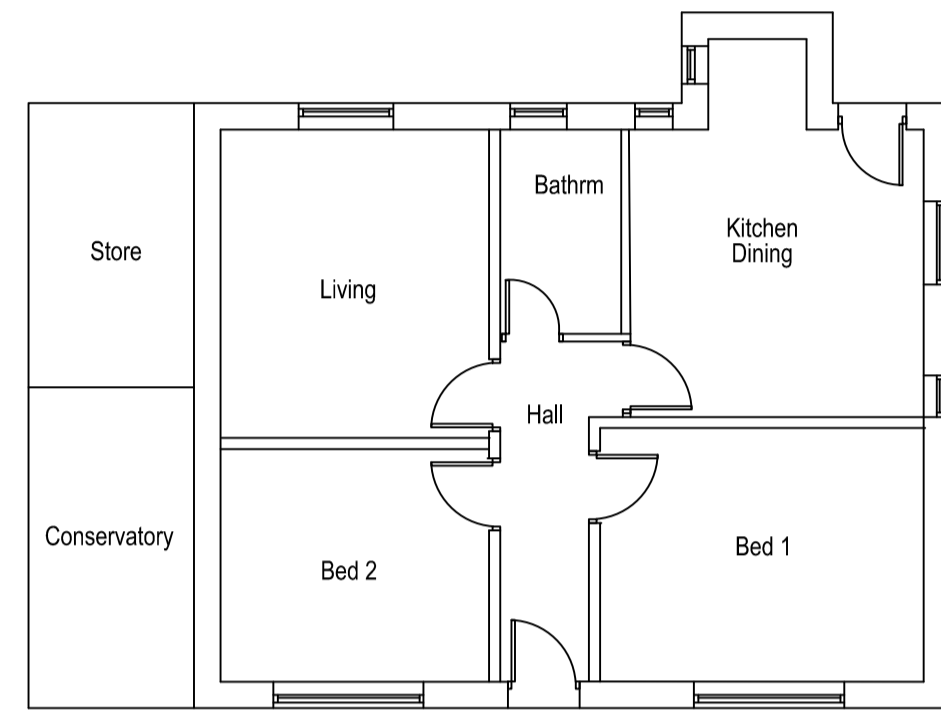
NE ELEVATION (EXISTING)



NW ELEVATION (EXISTING)



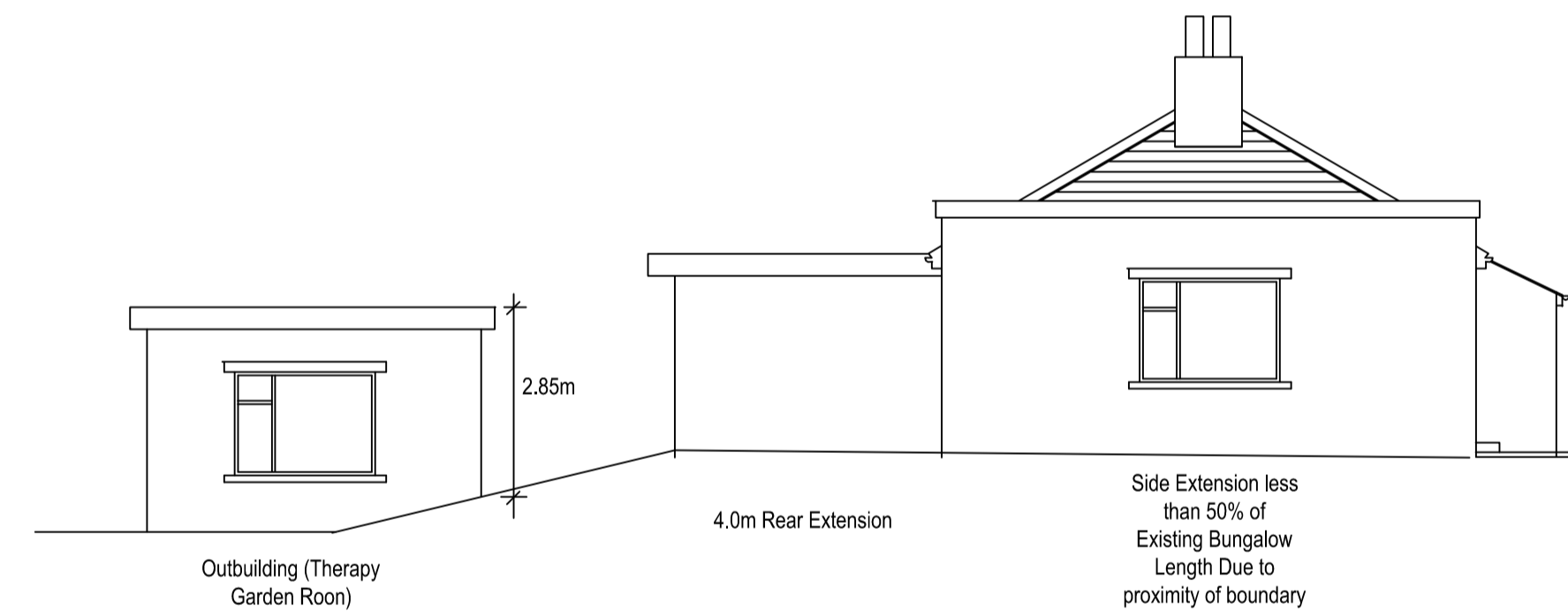
SW ELEVATION (EXISTING)



FLOOR PLAN (EXISTING)



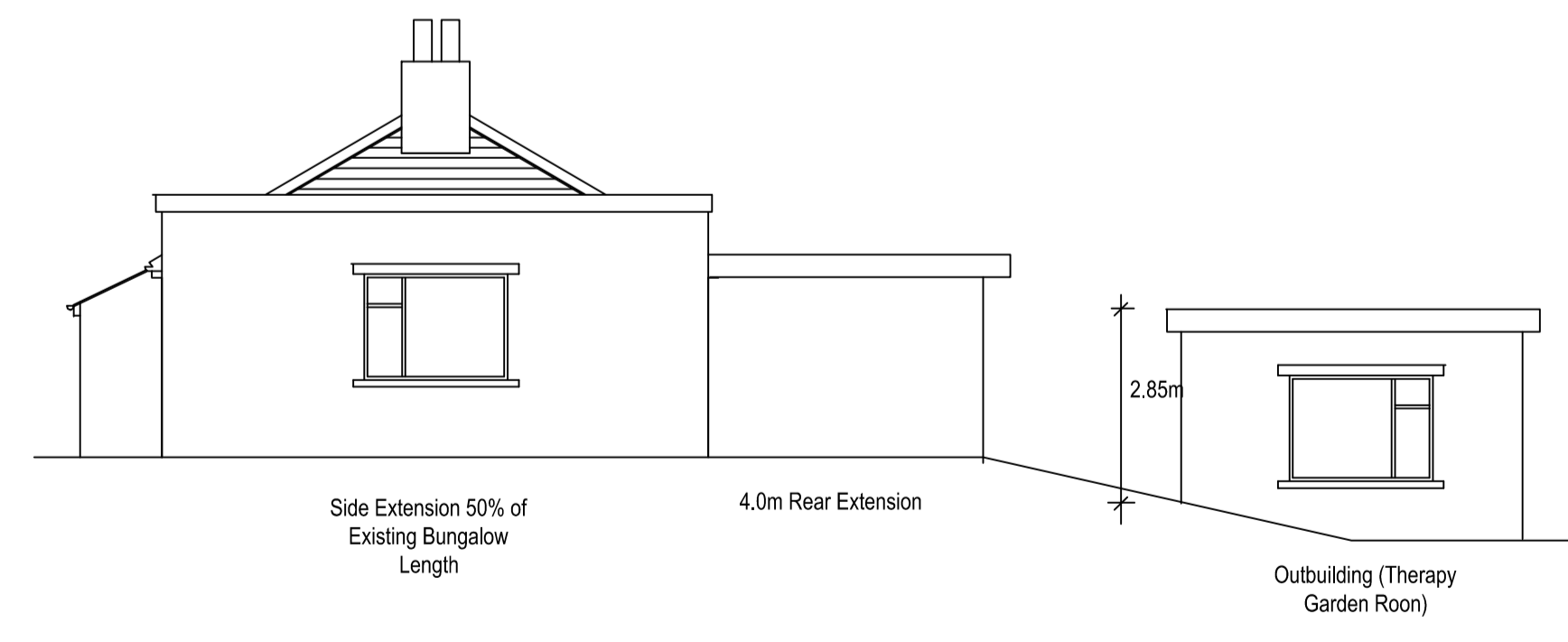
SE ELEVATION (EXISTING WITH PD EXTENSIONS)




NE ELEVATION (EXISTING WITH PD EXTENSIONS)



NW ELEVATION (EXISTING WITH PD EXTENSIONS)



SW ELEVATION (EXISTING WITH PD EXTENSIONS)



**NORTHERN DESIGN PARTNERSHIP**  
 Chartered Architects

THE CHAPEL  
 MILLMOOR ROAD  
 MELTHAM  
 HUDDERSFIELD HD9 5JU  
 TELEPHONE (01484) 854868  
 FAX (01484) 854969

---

CLIENT  
**Mr & Mrs Chilton**

---

PROJECT  
**Replacement Bungalow & New Detached Garage**  
 301 Woodhead Road, Holme HD9 2QE

---

DRAWING TITLE  
**Existing Elevations and Elevations with PD Extensions Shown**

Rev.	Notes	Date	Drawn
A	Floor Plan added and heights reduced	08.17	PB

---

SCALE 1:100 @ A1 05/17 PB

---

PROJECT No. <b>1713</b>	DRAWING No. <b>06</b>	Rev. <b>A</b>
----------------------------	--------------------------	------------------