

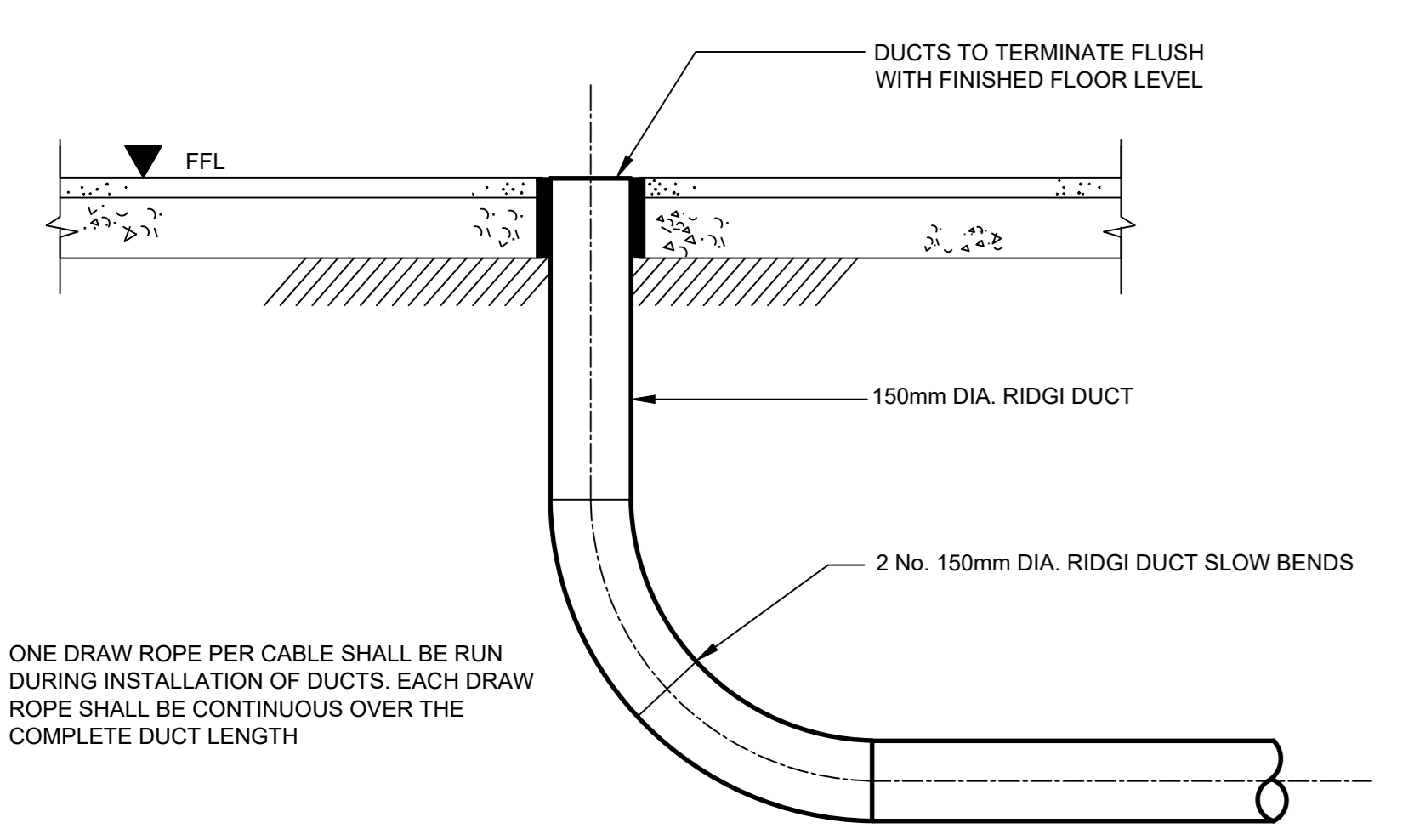
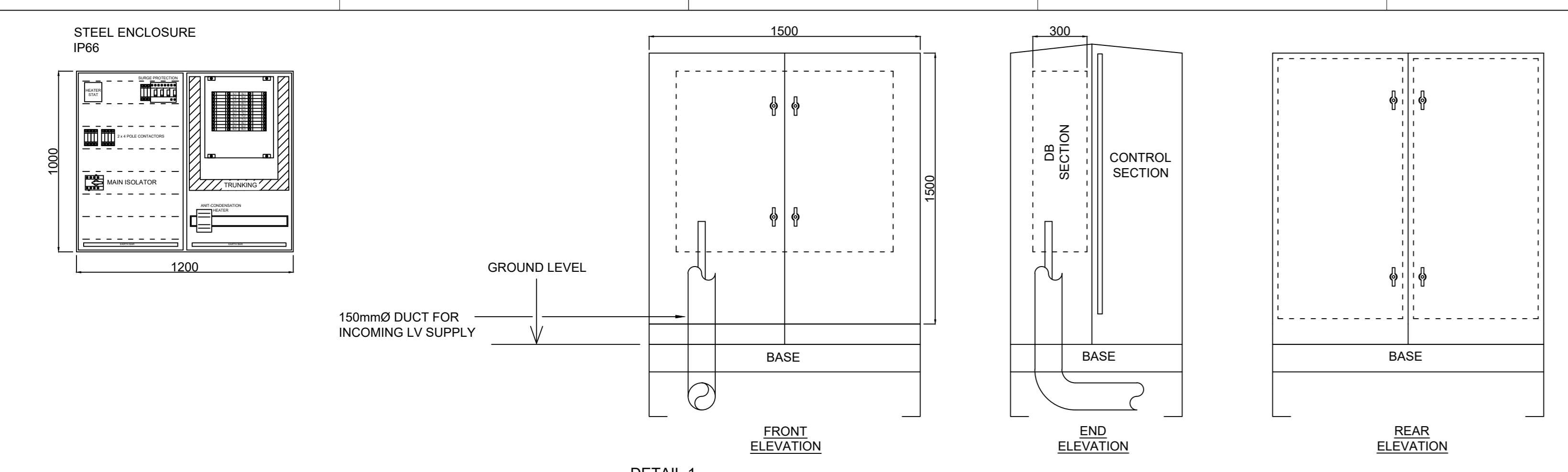
Based on	Rev
Architect Dwg No.	Rev
Structural Dwg No.	Rev
Survey Dwg No.	Rev
Other Dwg No.	Rev

THIS DRAWING MAY INDICATE ELEMENTS RELATED TO FIRE SYSTEMS. THESE ARE INDICATIVE ONLY AND FINAL NUMBER, POSITIONING AND PERFORMANCE MUST BE ESTABLISHED AS PART OF THE CDP WORKS TO MAINTAIN THE INTENT OF THE DESIGN FIRE STRATEGY.

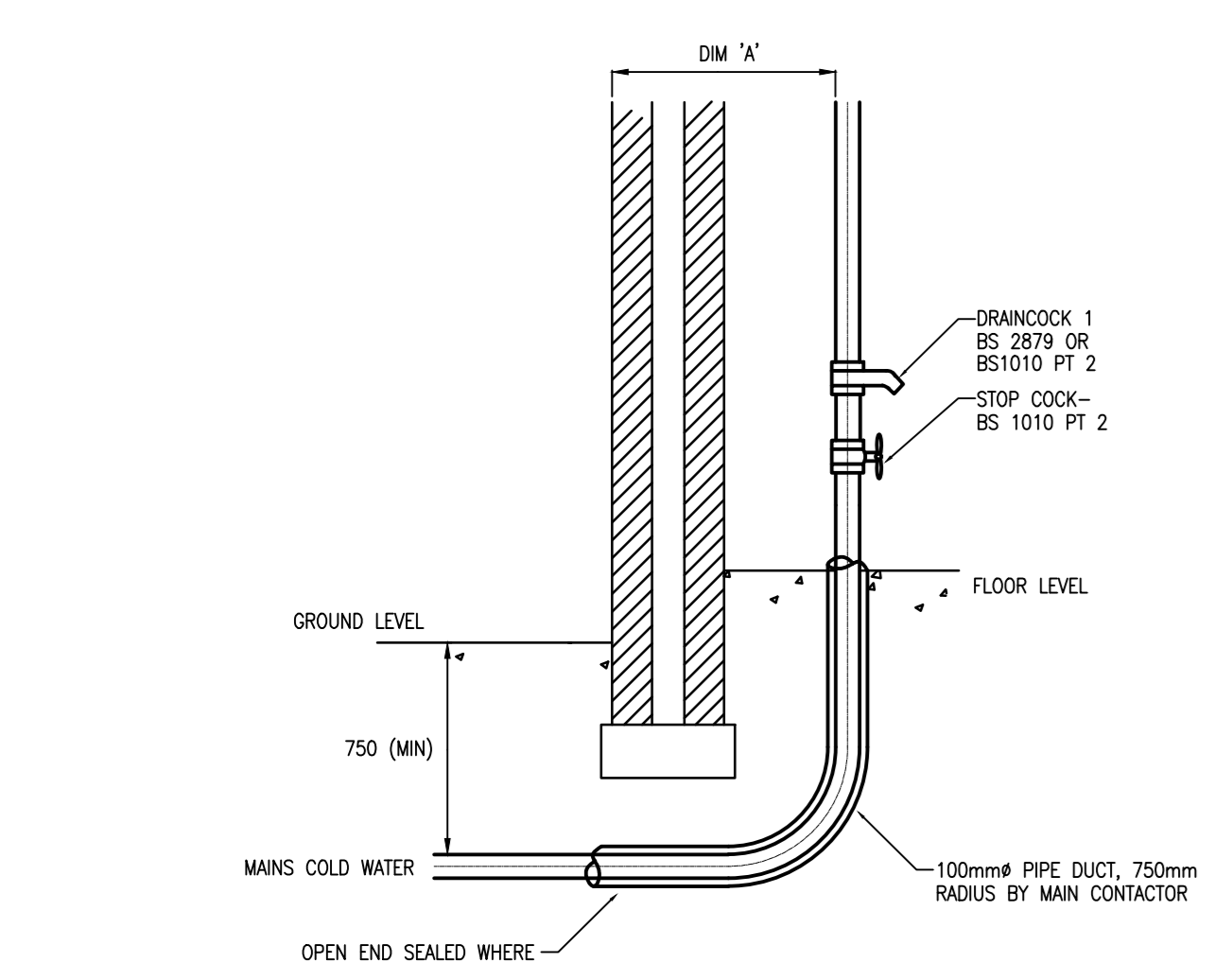
- NOTES:**
- THIS DRAWING IS TO BE READ IN CONJUNCTION WITH ALL RELEVANT ARCHITECTURAL, STRUCTURAL AND ENGINEERING SERVICES DRAWINGS, SPECIFICATIONS, SCHEDULES AND PROJECT SPECIFIC DOCUMENTS.
 - ALL PLANT AND EQUIPMENT IS TO BE INSTALLED TO MANUFACTURER'S RECOMMENDATIONS, ALLOWING FULL ACCESS FOR COMMISSIONING, MAINTENANCE AND REMOVAL/REPLACEMENT.
 - ALL DIMENSIONS IN mm UNLESS OTHERWISE STATED.
 - DO NOT SCALE FROM THIS DRAWING.
 - THIS DRAWING MAY INDICATE ELEMENTS RELATED TO FIRE SYSTEMS. THESE ARE INDICATIVE ONLY AND FINAL NUMBER, POSITIONING AND PERFORMANCE MUST BE ESTABLISHED AS PART OF THE CDP WORKS TO MAINTAIN THE INTENT OF THE DESIGN FIRE STRATEGY.
 - PROVISION OF ELECTRIC VEHICLE CHARGERS WILL BE LIMITED SUBJECT TO PHASING OF CONSTRUCTION. FOLLOWING COMPLETION OF THE MAIN CAR PARK, THE NUMBER OF ELECTRIC VEHICLE CHARGERS AVAILABLE WILL BE 3NO (6 OUTLETS). UPON COMPLETION OF INFILL BLOCK (LAST PHASE OF CONSTRUCTION) ALL 6NO VEHICLE CHARGERS WILL BE MADE AVAILABLE FOR USE.

LEGEND

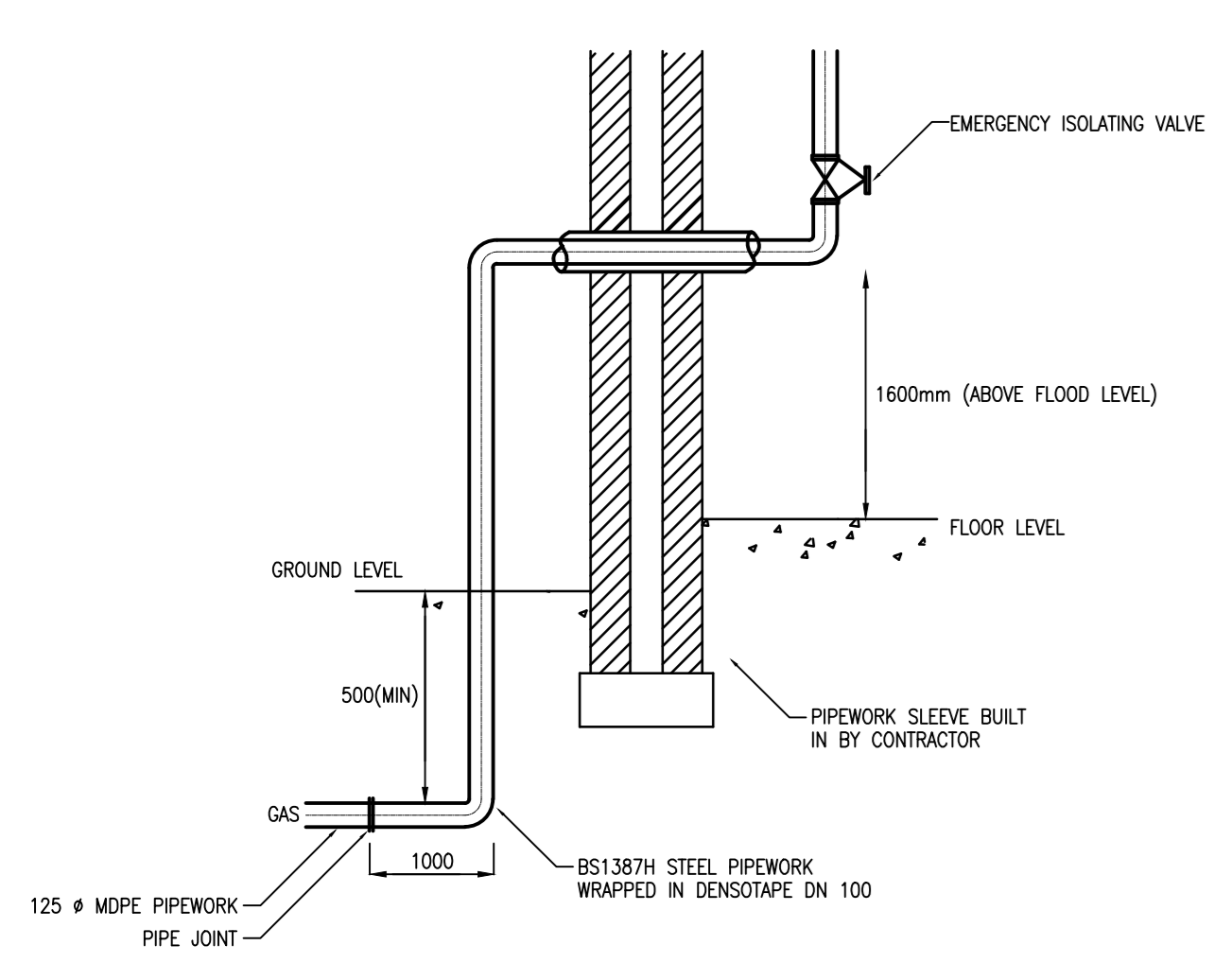
150mmØ LV CABLE DUCT	
150mmØ DATA DUCT	
GAS MAIN	
WATER MAIN	
100mmØ EXT LIGHTING DUCT	
TWIN EV CHARGING POINT (7kW 1Ph PER SOCKET)	
FEEDER PILLAR	
ACCESS CONTROL POSITION	
EARTH PIT WITH EARTH ROD FOR EV CHARGING	
PROPOSED CABLE DRAW PIT	



DETAIL 2 ENTRY DETAIL OF INCOMING ELECTRICITY SUPPLY (N.T.S.)



- NOTES:**
- ENSURE THAT THE INSTALLATION IS INSPECTED BY THE MAIN CONTRACTOR PRIOR TO BACK FILLING.
 - PIPEWORK OPEN ENDS TO BE SEALED DURING CONSTRUCTION TO PREVENT CONTAMINATION.
 - WHERE DN 'X' IS LESS THAN 750mm THE PIPE WITHIN THE DUCT SHALL BE INSULATED TO CURRENT BUILDING REGULATIONS.
 - WHERE DN 'X' EXCEEDS 750mm THE PIPE DUCT WILL NOT BE INSULATED.



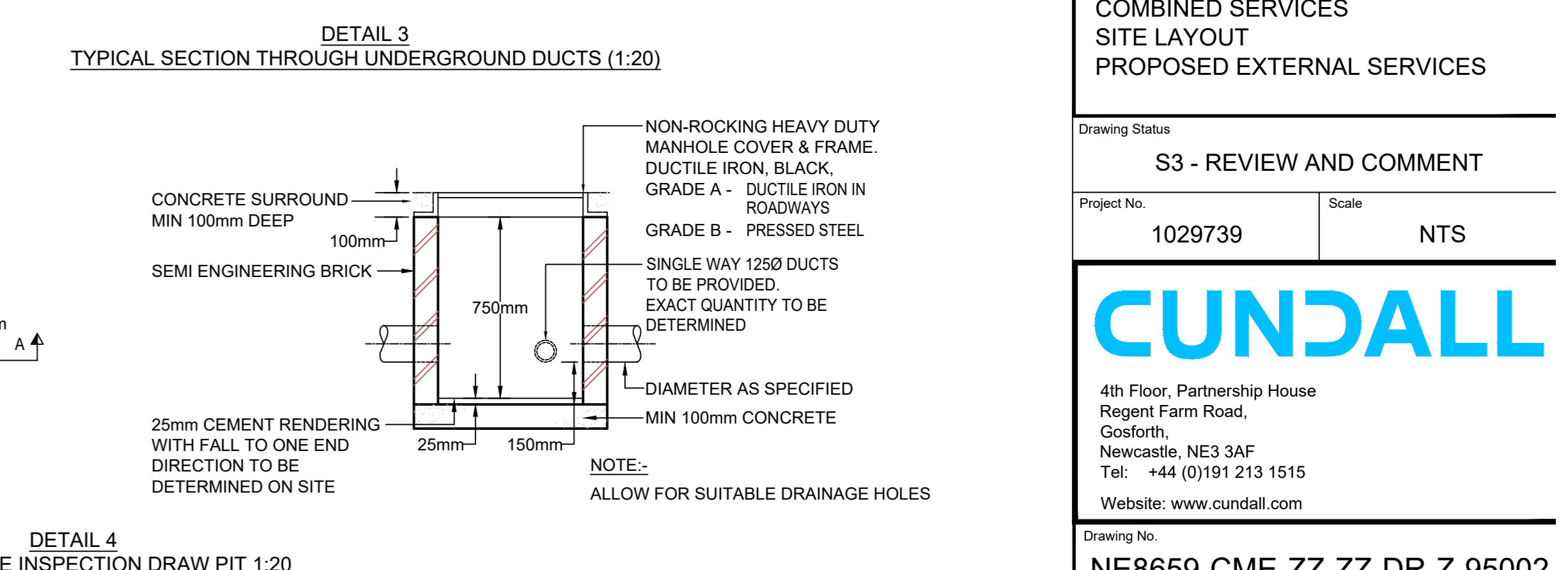
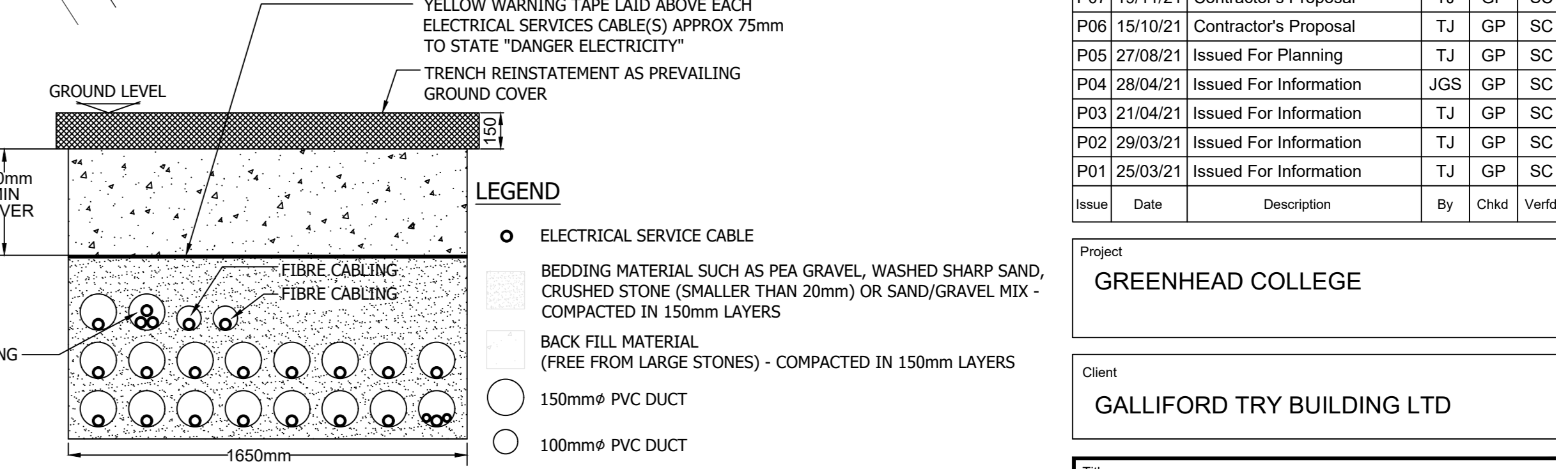
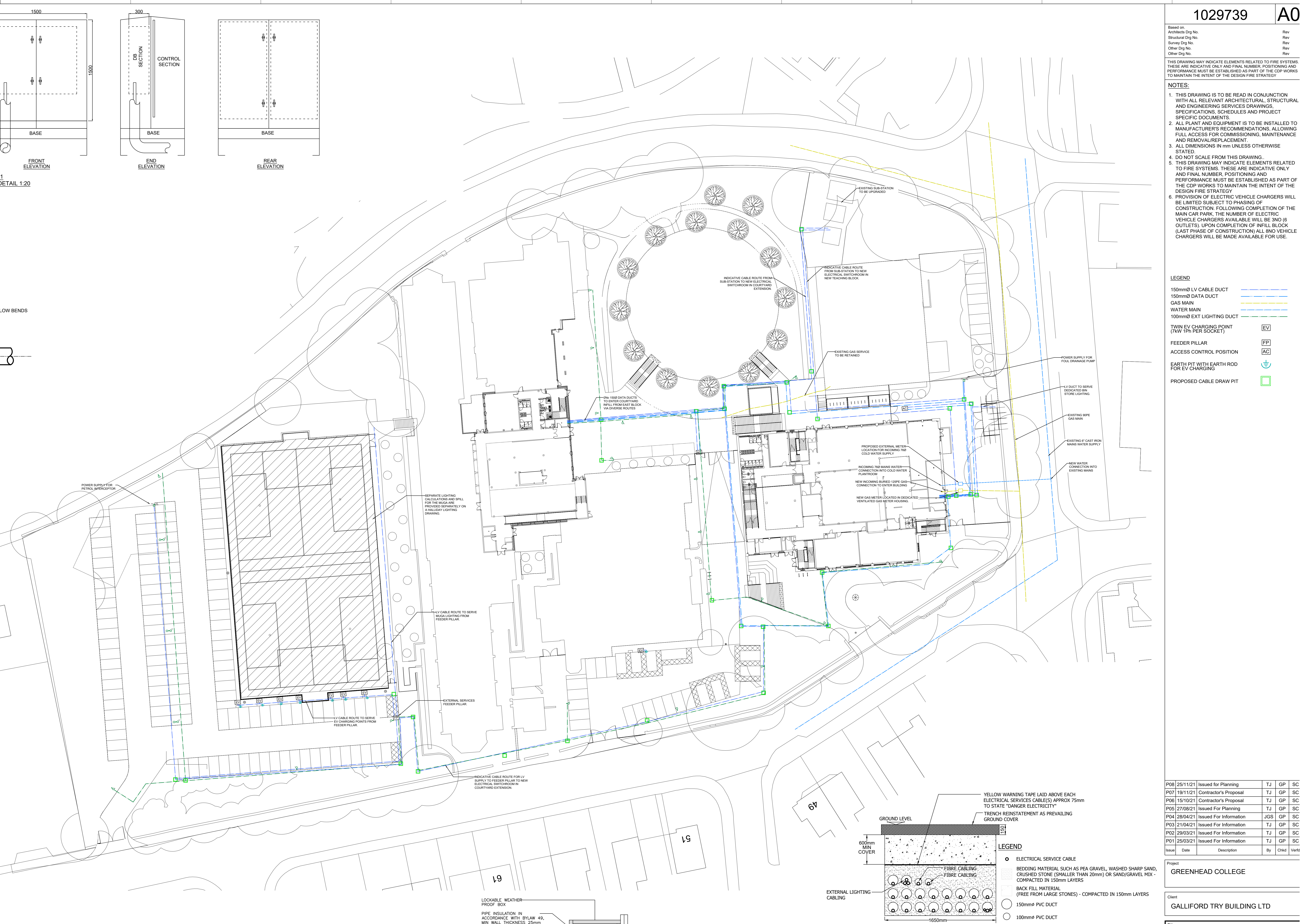
- NOTES:**
- PIPEWORK OPEN ENDS TO BE SEALED DURING CONSTRUCTION TO PREVENT CONTAMINATION.
 - EXTERNAL STEEL PIPEWORK SHALL BE WIRE BRUSHED AND PAINTED WITH RED OXIDE PRIOR TO DOUBLE WRAPPING IN SENSOPRE.
 - INTERNAL PIPEWORK SHALL BE GLOSS PAINTED YELLOW OCHRE.

SAFETY, HEALTH AND ENVIRONMENTAL INFORMATION

THE FOLLOWING NOTES HIGHLIGHT SIGNIFICANT RESIDUAL HAZARDS IDENTIFIED BY THE DESIGNER. TYPICAL HAZARDS THAT SHOULD BE IDENTIFIED BY A COMPETENT CONTRACTOR ARE NOT INCLUDED. THE CONTRACTOR SHALL CARRY OUT THE WORKS USING AN APPROVED SAFE SYSTEM OF WORK. FURTHER INFORMATION ON HAZARDS CAN BE FOUND IN THE DESIGNER'S RISK ASSESSMENT.

REF	HAZARD	STAGE	MITIGATING MEASURE
A	PRESENCE OF UNDERGROUND UTILITY SERVICES, GAS, WATER, ELECTRIC OR CABLES.	C	CONTRACTOR TO CARRY OUT INVESTIGATIONS AS APPROPRIATE PRIOR TO COMMENCEMENT OF EXCAVATIONS
B	DISCONNECTION OF EXISTING BUILDING SERVICES	C	SOFT STRIP IS UNDERTAKEN PRIOR TO DEMOLITION, TO ACCURATELY UNCOVER/IDENTIFY ROUTES OF EXISTING SERVICES NEW ELECTRICITY SUPPLIES TO BE ESTABLISHED TO THE BUILDINGS CURRENTLY SERVED FROM THE EXISTING SWITCHBOARD.

STAGE (C=CONSTRUCTION, M=MAINTENANCE, D=DEMOLITION)



Issue	Date	Description	By	Chkd	Verfd
P08	25/11/21	Issued For Planning	TJ	GP	SC
P07	19/11/21	Contractor's Proposal	TJ	GP	SC
P06	15/10/21	Contractor's Proposal	TJ	GP	SC
P05	27/08/21	Issued For Planning	TJ	GP	SC
P04	28/04/21	Issued For Information	JOS	GP	SC
P03	21/04/21	Issued For Information	TJ	GP	SC
P02	29/03/21	Issued For Information	TJ	GP	SC
P01	25/03/21	Issued For Information	TJ	GP	SC

Project
GREENHEAD COLLEGE

Client
GALLIFORD TRY BUILDING LTD

COMBINED SERVICES SITE LAYOUT PROPOSED EXTERNAL SERVICES

Drawing Status
S3 - REVIEW AND COMMENT

Project No.
1029739

Scale
NTS

CUNDALL

4th Floor, Partnership House
Regent Farm Road,
Gasforth,
Newcastle, NE3 3AF
Tel: +44 (0)191 213 1515
Website: www.cundall.com

Drawing No.
NE8659-CME-ZZ-ZZ-DR-Z-95002