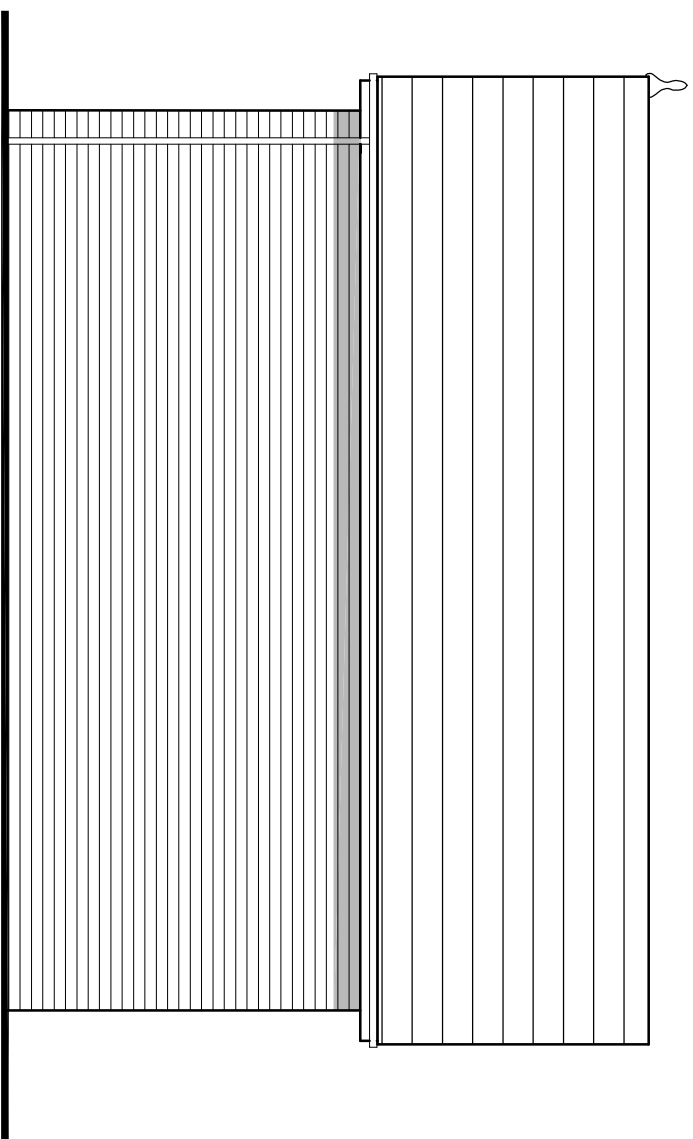
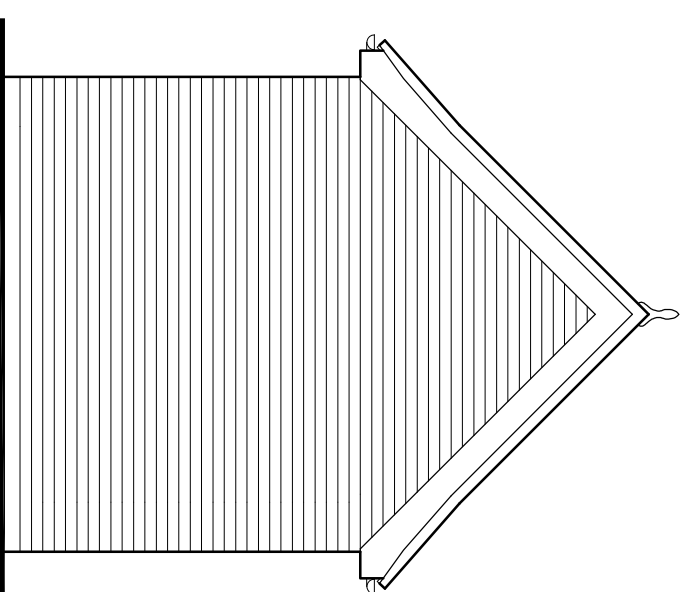


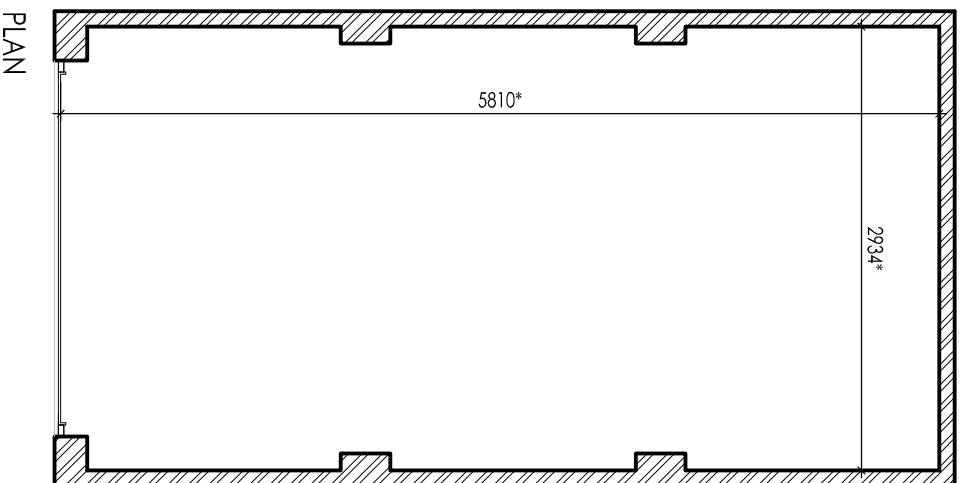
FRONT ELEVATION



SIDE ELEVATION



REAR ELEVATION



PLAN

**SINGLE GARAGE**  
**Type 1**  
**Gar01-901**  
**Heritage Collection**

Drawing scale 1:50 @ A3  
\* Maximum Dimension

