

**SAFETY, HEALTH & ENVIRONMENTAL INFORMATION**  
 Refer to the project specific risk assessment and design criteria for the M&E services installation. The installing contractor must prepare method statements for the installation works and agree all works in advance with the main contractor.

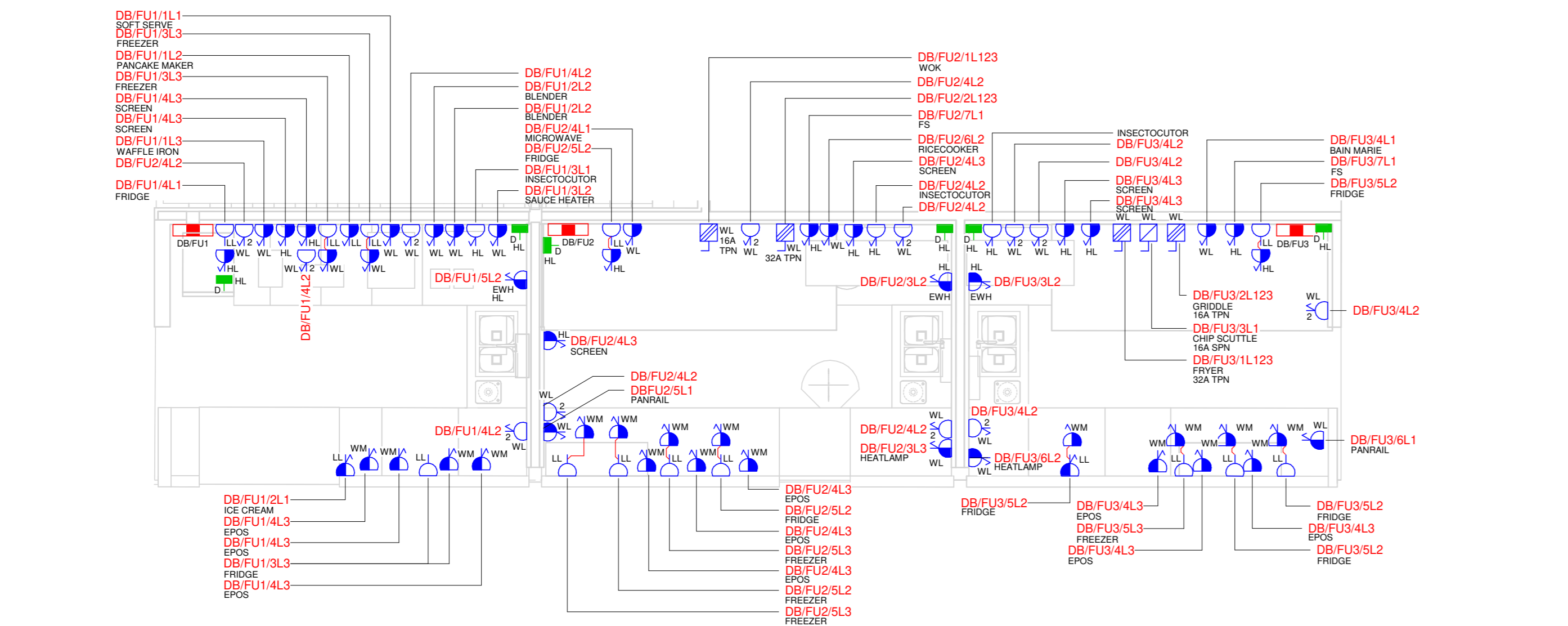
- GENERAL NOTES**
- THIS DRAWING SHALL BE READ IN CONJUNCTION WITH ALL ASSOCIATED SERVICES DRAWINGS, ARCHITECTS AND STRUCTURAL DRAWINGS TOGETHER WITH THE SCHEMATIC DRAWINGS AND ALL MECHANICAL & ELECTRICAL SPECIFICATIONS
  - THE SERVICES INSTALLATIONS SHALL BE CO-ORDINATED AND FULLY INTEGRATED WITH THE MECHANICAL & ELECTRICAL SERVICES, ARCHITECTURAL FEATURES, REFRIGERATION PLANT, STRUCTURAL ELEMENTS ETC.
  - THE SERVICES CONTRACTORS SHALL FAMILIARISE THEMSELVES WITH THE MECHANICAL & ELECTRICAL SERVICES, ARCHITECTURAL FEATURES, REFRIGERATION PLANT, STRUCTURAL ELEMENTS
  - THE INSTALLING SUB-CONTRACTOR SHALL ISSUE FULL "WORKING DRAWINGS" IN LINE WITH THE SPECIFICATION PROVIDED. THE INSTALLATION SHALL BE COMPLETED TO ALL DESIGN TEAM MEMBERS FOR THEIR COMMENT PRIOR TO INSTALLATION. THE INSTALLATION AND CO-ORDINATION OF SERVICES WITH OTHER SERVICES, THIRD PARTY SUPPLIERS AND THE BUILDING FABRIC IS THE RESPONSIBILITY OF THE INSTALLING SUB-CONTRACTOR.
  - THE ELECTRICAL INSTALLATION SHALL BE INSTALLED IN ACCORDANCE WITH THE BS 7671 WIRING REGULATIONS BS 7671 18TH EDITION (INC. AMENDMENTS).

**SMALL POWER AND DATA NOTES**

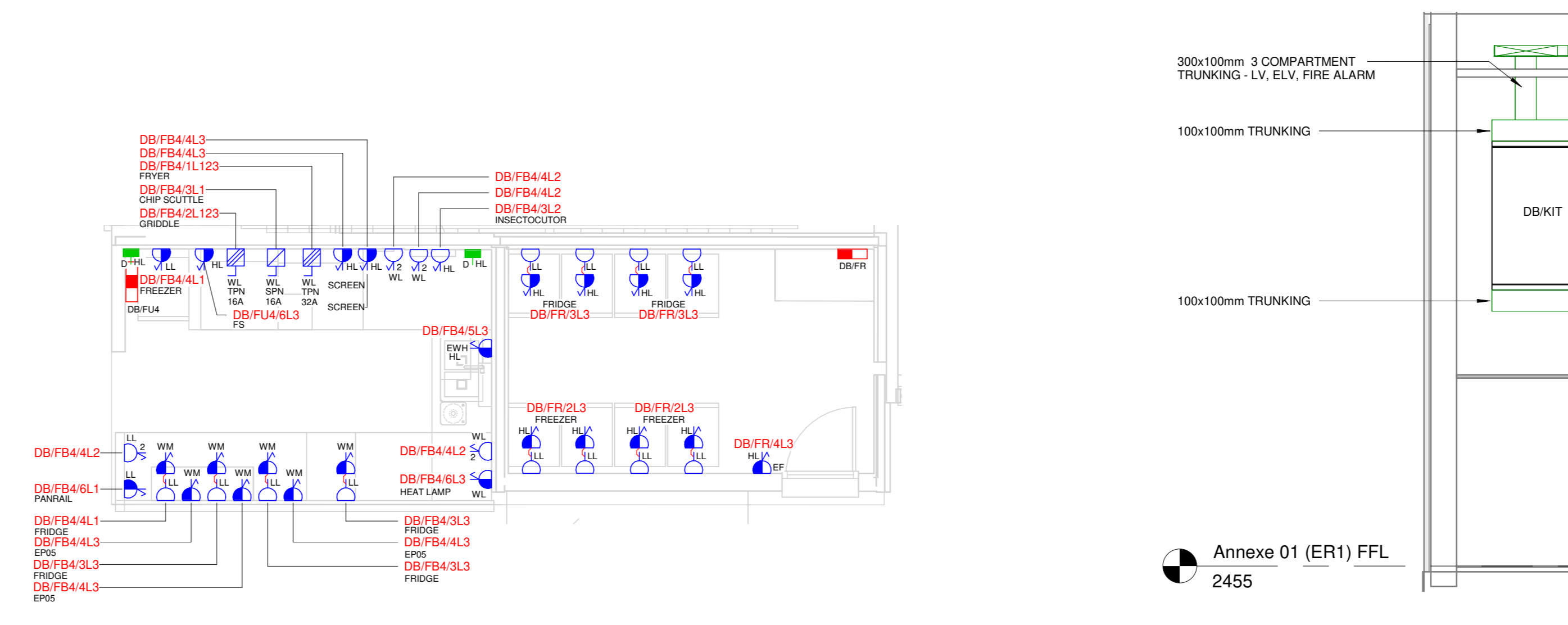
- ALL SOCKET OUTLETS TO COMPLY WITH REGULATION 543.7 OF BS 7671 18TH EDITION (SEE REG 543.7) IN LOCKABLE TERMINAL SOCKETS ARE UTILISED.
- FUSED SPURS FOR FIRE ALARM SYSTEM ARE MK K9630 ALTA TO COMPLY WITH BS 5853 1: 2015.
- DISTRIBUTION BOARDS AND PROTECTIVE DEVICES ARE BASED ON SCHNEIDER
- ALL SMALL POWER DATA SYSTEM CONFIGURATIONS ARE TO BE IN COMPLIANCE WITH THE ELECTRO-MAGNETIC COMPATIBILITY REGULATIONS 2006.
- ALL ACCESSORIES ARE TO BE LABELLED TO INDICATE THEIR CIRCUIT REFERENCE.
- FINAL LOCATIONS OF ACCESSORIES ARE TO BE APPROVED BY THE PROJECT ARCHITECT AND CATERING SPECIALIST FOR FINAL SETTING OUT.
- ALL ACCESSORIES, EXCEPT WHERE LOCATED EXTERNALLY WITHIN PLANT SPACES OR EXPOSED BRICK AREAS SUCH AS THE MARKET HALL SHALL BE WHITE PVC PLASTIC. IF WHITE PLASTIC IS NOT SUITABLE DUE TO THE FINISHES COLOUR THE CONTRACTOR IS TO ENSURE A DIFFERENCE OF 30 POINTS IS ACHIEVED BETWEEN SURFACES. PLANT SPACE LOCATED ACCESSORIES SHALL BE SURFACE MOUNTED & IMPACT RESISTANT. EXTERNALLY LOCATED ACCESSORIES SHALL BE WEATHERPROOF & IMPACT RESISTANT. ACCESSORIES WITHIN CEILING VOIDS, RISERS AND PLANT SPACES SHALL BE METAL CLAD TYPE.
- WHERE ACCESSORIES ARE SURFACE MOUNTED THEY SHALL BE SERVED VIA SURFACE MOUNTED GALVANISED STEEL CONDUITS ON TRUNKING SYSTEMS.
- ALL CABLES TO BE "BASED APPROVED"
- WIFI ACCESS POINT LOCATIONS ARE SUBJECT TO A DETAILED WIFI SURVEY TO DETERMINE COVERAGE.
- THE CONTRACTOR SHALL VERIFY ALL LEVELS AND DIMENSIONS ON SITE.
- THE SMALL POWER INSTALLATION SHALL TAKE THE FORM OF SINGLE CORE LOW SMOKE ZERO HALOGEN SINGLES CABLE (LSF) WITH CU CABLES HIGH LEVEL SURFACE/SUSPENDED STEEL TRUNKING SYSTEMS.
- ALL DISTRIBUTION BOARDS ARE TO HAVE A COMPLETE CIRCUIT CHART, TYPED AND INSTALLED PERMANENTLY WITHIN THE DB HOUSING.
- ANY OTHER SYSTEMS POWER SUPPLIES TO BE FURTHER DEVELOPED UPON RECEIPT OF SPECIALIST CDP INFORMATION IN THE NEXT DESIGN STAGE.
- THE CONTRACTOR SHALL MAKE ALLOWANCES FOR SECONDARY CONTAMINANT TO FINAL ACCESSORIES AND EQUIPMENT. CONSIDERATION SHALL BE GIVEN TO HERITAGE AREAS WITHIN THE MARKET HALL WHERE STANDARD PRACTICES FOR SECONDARY CONTACTS AND FINISHES ARE NOT PRACTICAL.
- THE CONTRACTOR SHALL UTILISE SECONDARY CONTAMINANT IN THE FORM OF MILLION BOXES ON PROPOSED CURTAIN WALLING (IRONMANGERY) WHERE PRACTICAL. TO CONICAL WIRING TO FINAL CONNECTION POINTS. FINAL CONNECTION POINTS SHALL BE APPROVED BY GREIG & STEPHENSON ARCHITECTS.
- THE CONTRACTOR SHALL NOT DRILL DIRECTLY INTO HERITAGE IRON COLUMNS FOR FIXING OF SECONDARY CONTAMINANT. ALTERNATIVE FIXING METHODS E.G. CLAMPS SHALL BE PROPOSED FOR APPROVAL PRIOR TO PROCUREMENT INSTALLATION.

**ABBREVIATIONS**

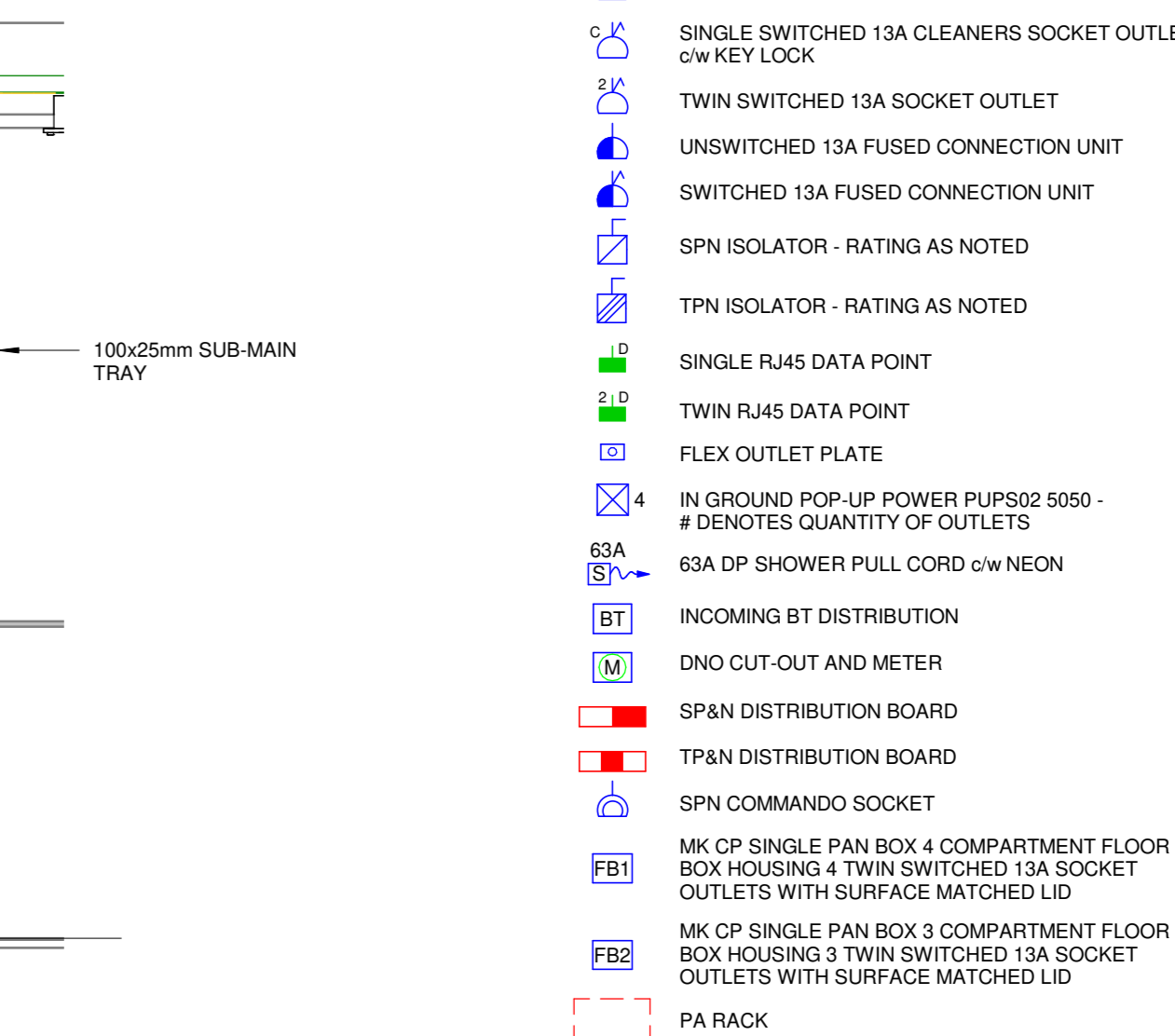
- AD ACCESS CONTROL
- ACC ACCESSIBLE WC ALARM SYSTEM
- ACU AIR CONDITIONING UNIT
- AD AUTOmatic DOOR
- AS AIR HANDLING UNIT
- AS ADJUSTABLE SINK
- AT ADJUSTABLE TABLE
- ASD ASPIRATING DETECTION PANEL
- ASHP AIR SOURCE HEAT PUMP
- ASB BOOSTER SET
- COP C
- CM COUNTER DISPLAY FRIDGE
- CU CLEANERS SOCKET
- CU CONDENSER UNIT
- DC MOUNTED IN CEILING VOID
- DALI DIGITAL ADDRESSABLE LIGHTING INTERFACE
- DC DALI CONTROLLER
- DC MOUNTED AT DESKTOP LEVEL - 750mm
- EP EXTRACT FAN
- EPH ELECTRIC PANEL HEATER
- EPH SINGLE SOCKET DEDICATED TO EOS SUPPLIES
- ES ELECTRIC SHOWER
- ES ELECTROSTATIC PRECIPITATOR
- FAP FIRE ALARM PANEL
- FAP FIRE ALARM REPEATER PANEL
- FCU FAN COIL UNIT
- FMP FIRE ALARM REPEATER PANEL
- FU FUTURE USE
- FS FIRE SUPPRESSION
- HD HAND DRIVER
- HL HOSTED AT HIGH LEVEL - 2100mm
- HS HOST SUPPLY
- IP INTERCOM
- IL INDUCTIVE LOOP
- IS INTERCOM
- IS ILLUMINATED SIGNAGE
- INT INTERCOM
- K KEY SWITCHED
- KS KITCHEN SCREEN
- LL METAL CLAD
- MC CCTV MONITOR
- MCN MECHANICALLY VENTED HEAT RECOVERY
- CF CEILING FILTER
- PA PUBLIC ADDRESS SYSTEM
- PTZ PAN/TILT/ZOOM CCTV CAMERA
- RS ROLLER SHUTTER
- SR SENSOR BRAND
- SR SENSOR TAP
- ST SIGNAGE TABLET
- VI VIDEO INTERCOM
- WAP WIRELESS ACCESS POINT
- WAP MOUNTED AT WORKTOP LEVEL - 1100mm
- WAP WORKTOP MOUNTED
- ZIP ZIP TAP



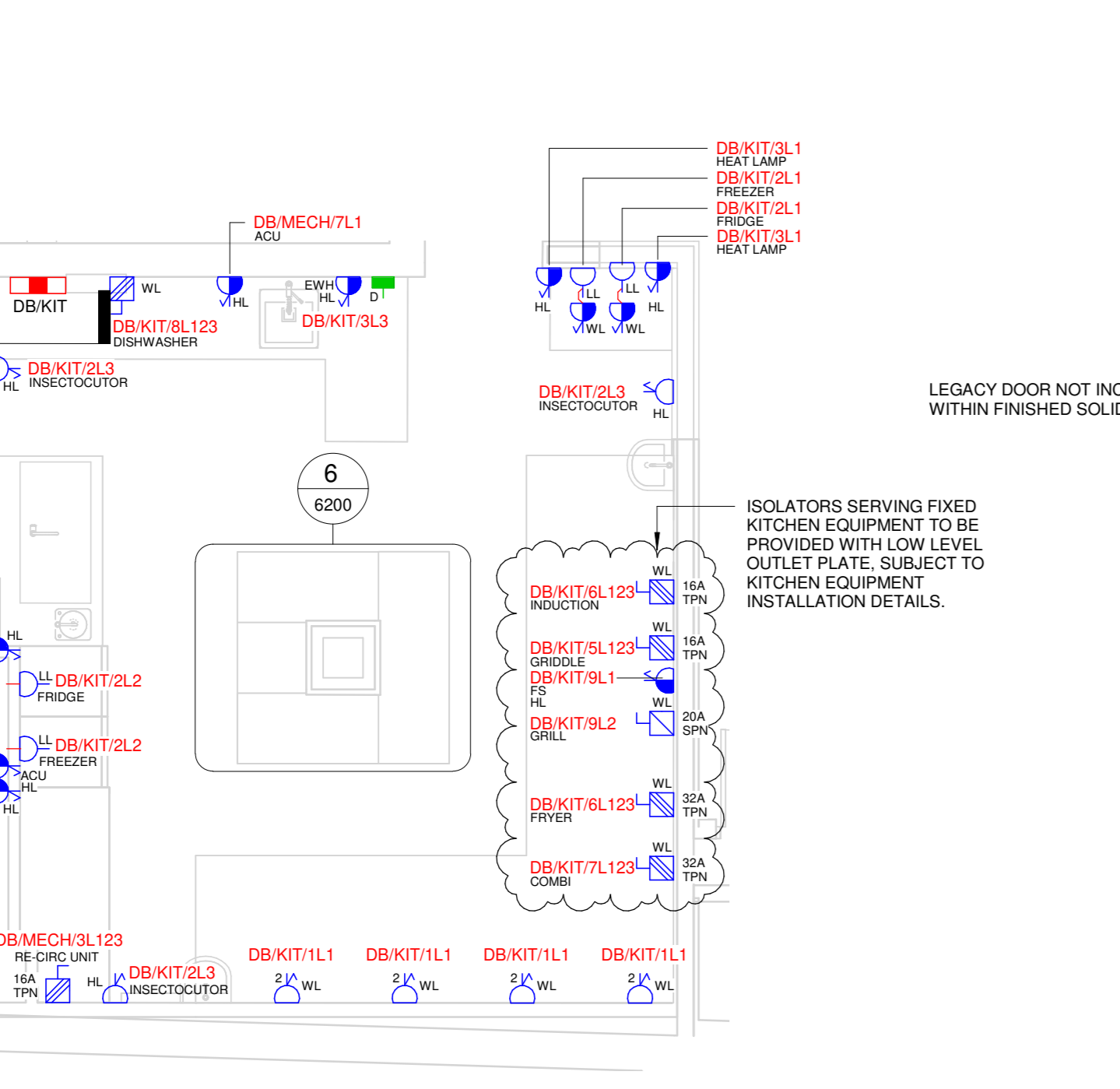
3 Small Power & Data Layout - Callout 02  
1 : 50



4 Small Power & Data Layout - Callout 04  
1 : 50



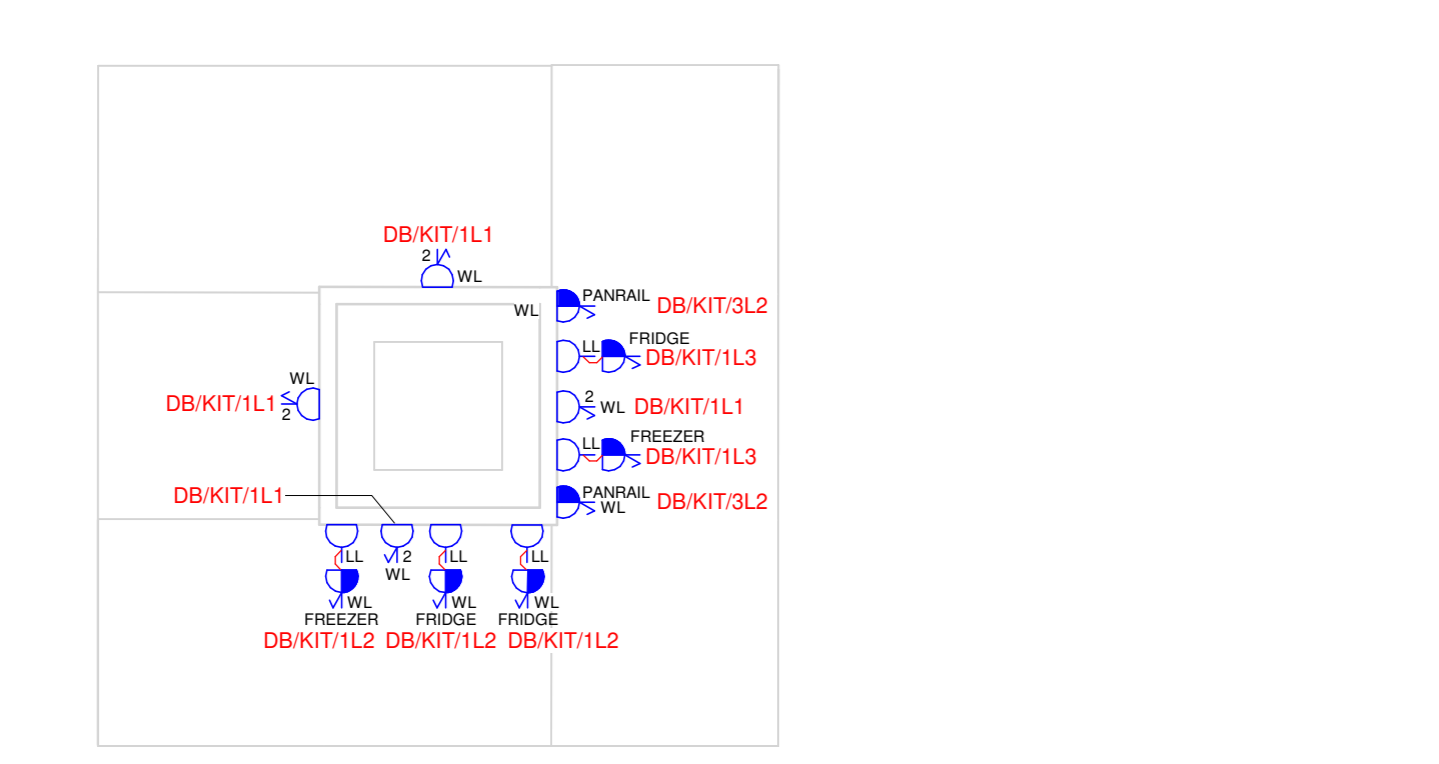
5 DB/KIT Elevation Detail  
1 : 20



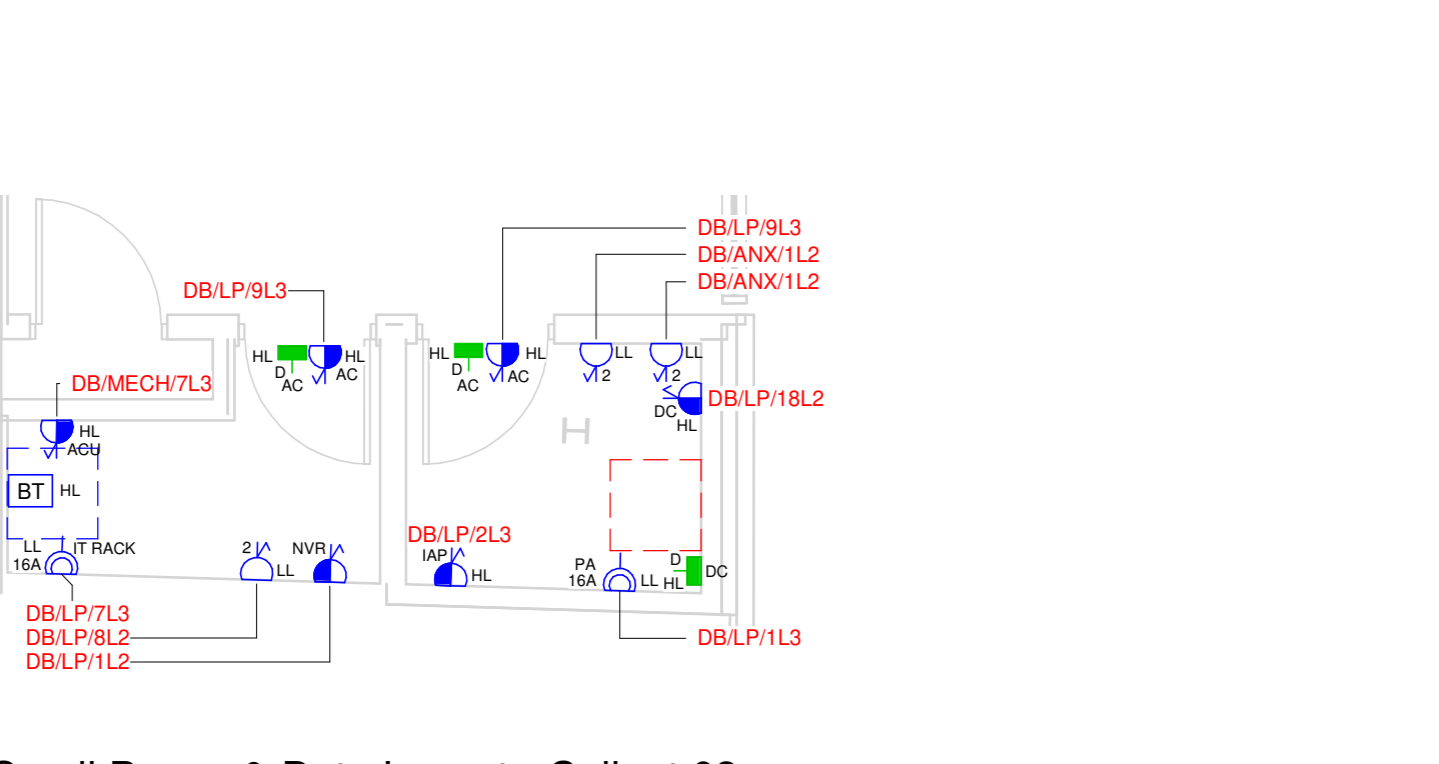
2 Small Power & Data Layout - Callout 01  
1 : 50



1 Small Power & Data Layout  
1 : 100



6 Small Power & Data Layout - Callout 05  
1 : 20



7 Small Power & Data Layout - Callout 03  
1 : 50

- DEMOUNTABLE FITCHES (TYPES A/B/C) TO BE PROVIDED WITH SERVICES AS PER THE G&S DEMOUNTABLE FITCH DRAWINGS / SCOPE. ALL ELECTRICAL INFRASTRUCTURE TO BE INCLUDED WITHIN THE FICHE SUPPLIERS SCOPE OF WORKS FOR EACH FITCH. THIS SHALL INCLUDE, BUT NOT LIMITED TO:
    - 1% 3 WAY METAL CONSUMER UNIT C/W TRAILING LEAD SERVING: WAY 1 - LIGHTING
    - WAY 2 - SOCKETS
    - THIS SHALL CONNECT INTO THE LOCAL COMMANDO SOCKET OUTLET WITHIN THE FLOOR BOXES ACROSS THE MARKET HALL.
    - 1% MAGNETIC LIGHTING TRACK C/W 3% LED 300K SW LED SPOTLIGHTS
    - 1% ABOVE TABLE FIXED TWIN 13A SWITCHED SOCKET OUTLET C/W TWIN TYPE A USB CHARGER PORTS
    - UNDER BENCH POWER MODULE C/W 3% SWITCHED 13A SOCKET OUTLETS
    - ELECTRICAL BONDING TO THE STALL'S MAIN STEEL FRAME, IN ACCORDANCE WITH BS 7671 18th EDITION (INCLUDING LATEST AMENDMENTS)
    - UNDER BENCH GALVANISED STEEL TRAY/BASKET FIXED TO THE UNDERSIDE OF THE BENCH
- (REFERENCE SHALL BE MADE TO THE G&S DEMOUNTABLE FITCH DRAWINGS AND SPECIFICATIONS FOR FURTHER DETAILS)

P08	COMMENTS INCORPORATED	SS	10.05.26
P07	LATEST MODEL COORDINATION	SP	03.02.26
P06	COMMENTS INCORPORATED	SS	23.01.26
P05	COMMENTS INCORPORATED	SS	12.01.26
P04	COMMENTS INCORPORATED	SS	12.11.25
P03	COMMENTS INCORPORATED	SS	14.11.25
P02	STAGE 4 PRELIMINARY ISSUE	SS	31.10.25
P01	STAGE 3 V/E ISSUE	SP	07.07.25
REV	DESCRIPTION	BY	DATE



www.kaizen-ce.com e: info@kaizen-ce.com

CLIENT



ARCHITECT

PROFESSOR HUDDERSFIELD MARKETS

DRAWING TITLE

ELECTRICAL SERVICES SMALL POWER & DATA LAYOUT LEVEL 00 MAIN MARKET

CHECKED DATE 07/07/25 DRAWN SCALE 1:100@AO

PRELIMINARY

DRAWING NUMBER: HMH-KAI-MH-00-D-E-6200

STATUS: REV S4 P08