



Kingfisher Lighting

Datasheet

VIVA-CITY Pro



Specification Text

The VIVA-CITY Pro shall be manufactured from die-cast aluminium and powder coated in RAL 7016 Marine Grade finish. It shall have a power output ranging between 10 - 180W, with an efficacy of 66 - 150lm/W. The luminaire shall deliver 2,519 - 5,579 luminaire lumens. It shall have a fully programmable DALI driver. Available in 2700K or 4000K, the luminaire shall be IK08 and IP66 rated. It shall have photocell options available.

For DarkSky Specifications, the luminaire shall produce a CCT of 2700K.



Specification

Weight:	4.5 - 9.1 kg
Windage:	0.06 - 0.09 m ²
Material:	Die-cast Aluminium
Paint Finish:	RAL7016 Anthracite Grey
Embodied Carbon:	89 - 182 kg CO ₂ e

Product Description

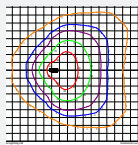
Designed and Engineered in the UK, the VIVA-CITY Pro is a slimline luminaire featuring innovative optical systems to reduce light pollution within projects.



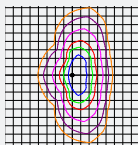
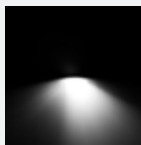
Key Features

- 10.0W - 20.0W
- 2,519 - 5,579 Luminaire Lumens
- Efficacy up to 150.0 lm/W
- 2700K, 4000K, CRI>70
- IP66, IK08
- Lifetime > 100,000hr, L80
- DarkSky Approved
- Photocell Option
- 3 Hour Integral Emergency

Optics



Forward Throw Optic 70°
Open areas perimeter lighting



Street Optic 70°
Roadways, pathways and narrow areas

IP66	IK08	100,000 hrs LIFETIME	Colour Temperature	Control Compatible
PEC	5 YEARS WARRANTY		Marine Grade Finish	EM

Circular Economy Score

0 to 0.05	Very poor circular economy performance
0.5 to 1.5	Some circular economy functionality
1.5 to 2.5	Definite/substantial progress to circularity
2.5 to 4.0	Excellent circularity



Other Options Available

Contact for further details

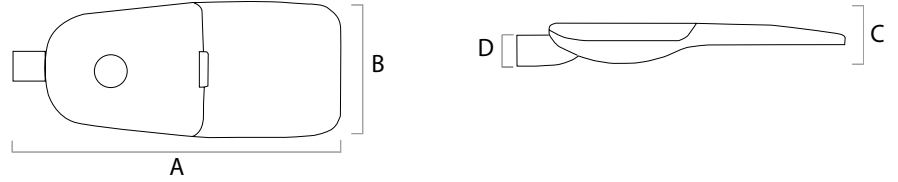
- Colour Temperatures: 2700K, 4000K
- Photocell
- Emergency
- Full Control Capabilities
- Dim to Warm

Mounting Options

- Post Top 60/76mm, Side Entry 60/76mm

Body Type	A	B	C	D
Body Size 1 - 10W	520	200	106	60/76
Body Size 3 - 20, 40W	625	288	102	60/76
Body Size 4 - 120, 180W	775	320	102	60/76

All measurements in mm



Code	Power	Luminaire Lumens	Drive Current mA	Inrush Current A pk	Optic	CCT(K)	IP	IK	Weight kg	Driver Included	Driver Type
VCYP-AY70-27.8-20DEM-02	20.0	2,561	840	14.9	Asymmetrical Street Optic 70°	2700	IP66	IK08	4.8	Yes	DALI
VCYP-AY70-27.10-40D-02	40.0	5,579	1,050	24.9		2700	IP66	IK08	6.0	Yes	DALI
VCYP-FW70-27.8-20D-02	20.0	2,519	840	14.9	Asymmetrical Forward Throw Optic 70°	2700	IP66	IK08	4.8	Yes	DALI
VCYP-FW70-27.10-40D-02	40.0	5,249	1,050	24.9		2700	IP66	IK08	6.0	Yes	DALI



Kingfisher Lighting

Datasheet

SEMITA Urban



Specification Text

The SEMITA Urban shall be manufactured from high pressure die-cast aluminium and powder coated with a RAL 7016 Anthracite Grey marine grade finish. It shall have a power output ranging up to 6.0W, with an efficacy of up to 127 lm/W. The luminaire shall deliver 762 luminaire lumens. The SEMITA Urban has a range of different optics to suit narrow, medium and wide paths, with a fully programmable DALI driver. Available in 2700K and 4000K, the luminaire shall be IK10 and IP66 rated with 3 hour integral emergency back-up and self-test options available.

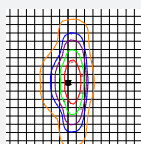
For DarkSky Specifications, the luminaire shall produce a CCT of 2700K.



Specification

Weight:	2.4 kg
Material:	Die-cast Aluminium
Paint Finish:	RAL7016 Anthracite Grey
Embodied Carbon:	44 kg CO ₂ e

Optics



Path Optic OC
Perfect for a variety of pedestrian areas in close proximity to buildings. E.g retail parks, façade lighting and offices

Product Description

Designed and engineered in the UK, SEMITA Urban is a slimline wallpack, available with street, path or flood optics in addition to comfort options.



Key Features

- 6.0W
- 762 Luminaire Lumens
- Efficacy of up to 127 lm/W
- 2700K, CRI>70
- IP66, IK10
- Lifetime > 100,000hr, L80
- 3 Hour Integral Emergency
- DarkSky Approved

Available with integral 3 hour emergency using a 3.0W pack. Output range from 372 - 438 lm dependant on optic, CCT & accessories.

IP66	IK10	100,000 hrs LIFETIME
EM	2700K	4000K
5 YEARS WARRANTY		

Circular Economy Score	
0 to 0.05	Very poor circular economy performance
0.5 to 1.5	Some circular economy functionality
1.5 to 2.5	Definite/substantial progress to circularity
2.5 to 4.0	Excellent circularity



Other Options Available

Contact for further details

- 3 Hour Integral Emergency
- Colour Temperature Opportunities

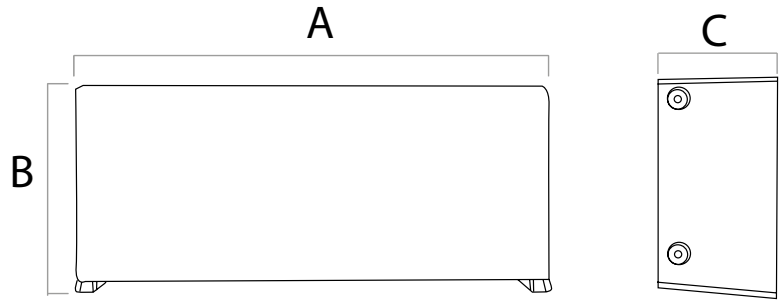
Mounting Options

- Wall Mount

Dimensions

Body Type	A	B	C
Standard	337	148	82

All measurements in mm



Code	Power (W)	Luminaire Lumens (lm)	Drive Current (mA)	Inrush Current (A pk)	Optic	CCT (K)	IP	IK	Weight (kg)	Driver Included	Driver Type
SEMUOC08D27K	6.0	762	205	5.0	Path Optic - OC	2700	IP66	IK10	2.4	Yes	Basic DALI



Kingfisher Lighting

Part of the LUCECO group of companies

Datasheet



VIVA-CITY Flood

Specification Text

The VIVA-CITY Flood shall be manufactured from die-cast aluminium and powder coated in RAL 7016 Anthracite Grey Marine Grade Finish. It shall have a power output of up to 60.0W, with an efficacy of 135.0 lm/W. It shall deliver 8,059 luminaire lumens and feature a fully programmable driver. The VIVA-CITY Flood shall have specialised optics to suit pathway, road or open area applications. Available in 2700K, the luminaire shall be IK08 and IP66 rated with photocell options available.

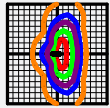
For DarkSky Specifications, the luminaire shall produce a CCT of 2700K.



Specification

Weight:	7.5 - 8.08 kg
Windage:	0.03 m ²
Material:	Die-cast Aluminium
Paint Finish:	RAL7016 Anthracite Grey
Embodied Carbon:	96 - 130 kg CO ² e

Optics



Asym. Street Optic - 70°

Product Description

The VIVA-CITY Flood is a sleek, high performance flood light with 0% ULOR with a variety of low glare distributions available.



Key Features

- 60.0W
- 8,059 Luminaire Lumens
- Efficacy of up to 135.0 lm/W
- 2700K, CRI>70
- IP66, IK09
- Lifetime > 100,000hr, L80
- Part Night Dimming
- Photocell Option
- DarkSky Approved

IP66	IK09	100,000 hrs LIFETIME
PEC	2700K	4000K
5 YEARS WARRANTY		



Circular Economy Score	
0 to 0.05	Very poor circular economy performance
0.5 to 1.5	Some circular economy functionality
1.5 to 2.5	Definite/substantial progress to circularity
2.5 to 4.0	Excellent circularity

Other Options Available

Contact for further details

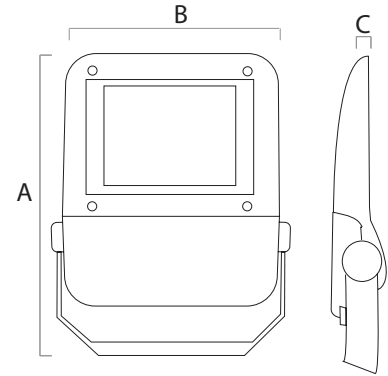
- Colour Temperature Options

Body Type	A	B	C
Standard	488	386	81

All measurements in mm

Mounting Options

- Surface mount bracket



Code	Power (W)	Luminaire Lumens (lm)	Drive Current (mA)	Inrush Current (A pk)	Optic	CCT(K)	IP	IK	Weight (kg)	Driver Included	Driver Type
VCYF-AY70-27.6-60D-02	60.0	8,059	610	32.0	Asym. Street Optic - 70°	2700	IP66	IK09	7.5	Yes	DALI



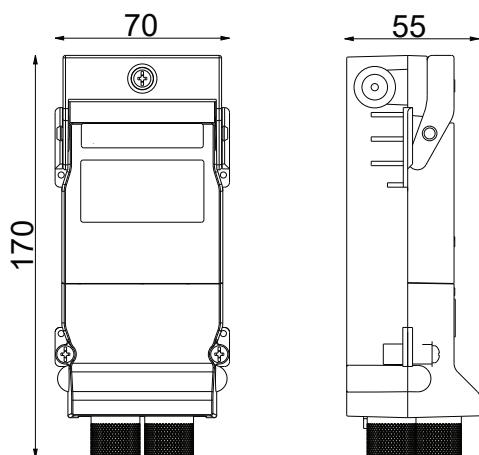
Our BS 7654 fused cut outs allow for the safe termination of incoming and outgoing PVC SWA cables and the fusing of the single phase supply feed to your luminaires.

Key Features

- Manufactured in high specification thermo-plastic material and suitable for column mounting
- Meet low voltage directive (LVD/2006/95/EC)
- Comes complete with earth block and gland plate
- Single or three phase incoming supply



Dimensions



All measurements in mm

Code	Single / 3 Phase	Cable Size	Fuse Rating
FC06	Single	2 x 25mm ²	6A
FC010	Single	2 x 25mm ²	10A
FC016	Single	2 x 25mm ²	16A
FC020	Single	2 x 25mm ²	20A
FC063PH	3 Phase	4 x 6mm ²	6A
FC0163PH	3 Phase	4 x 6mm ²	16A



Kingfisher Lighting

Datasheet

Columns

A comprehensive range of tubular, conical and hinged columns, for road & transport, car parks, residential and urban landscapes.



Experts in columns

- Wide range of columns and masts
- Design facility to help you specify
- Support to match the columns with luminaires and brackets
- Column key and door spares available

Maintained stock levels

- Extensive stock of most columns held at our warehouse
- In-house fabrication and finishing options

Nation-wide delivery

- Hi-ab equipment to enable fast and safe off-loading
- Fleet fitted with trackers to monitor deliveries
- Helpful drivers who handle the on-site deliveries
- Free delivery on orders over £300 within mainland GB

High quality standards

- Designed in accordance with BS EN40
- Manufactured from steel tube to EN10210

What to consider when designing with columns

BS EN40 provides a detailed framework for the design of a lighting column and provides key considerations when designing an exterior lighting scheme to ensure the structural integrity of the column.

A lighting column design must take into account (in relationship to mounting height):

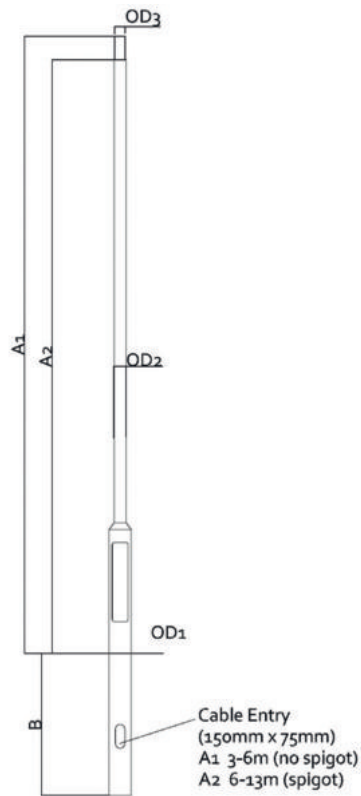
- Weight and windage of the luminaire and bracket
- Wind speed
- Site altitude
- Site terrain and topography

When this information is not readily available, PD 5647:2004 may be used for guidance. This document contains informative data relating to the administrative areas of the UK, providing a rationalised wind loading factor (RWF) for each location. Please contact us for more information.

Tubular columns (3m - 12m)

A range of tubular lighting columns suitable for road, residential and general amenity areas. Available root mounted or flange plated.

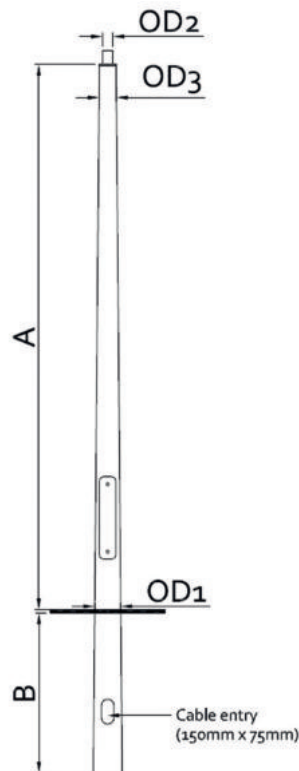
Tubular



Conical lighting columns (4m - 8m)

An aesthetic range of conical lighting columns suitable for residential and amenity areas. Available root mounted or flange plated.

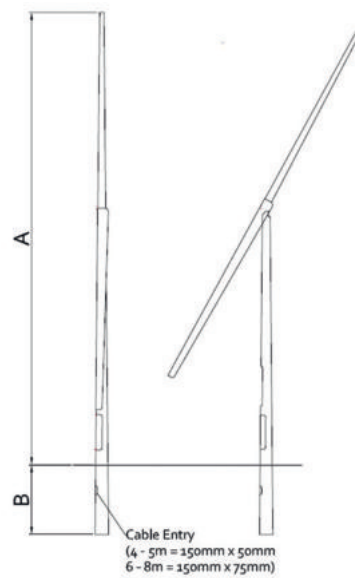
Conical



Mid-hinged columns (4m - 15m)

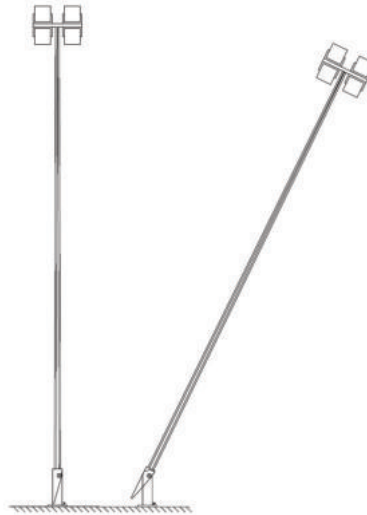
An easy-access range of mid-hinged columns suitable for residential, amenity, rail and industrial areas where conventional access platforms are unsafe or unsuitable. Available root mounted or flange plated. When installing mid-hinged columns, minimum head load is required for the column to hinge.

Mid-hinged



Base-hinged columns

Base-hinged columns are an option for cost effective, safe and easy maintenance. The lowering of the column is done quickly and safely using a raising and lowering tool specific to the column. This lowers the column to ground level for easy access to the luminaire. Base-hinged columns are best suited to sites with tight access and where mobile platforms cannot be used such as sports facilities, car parks and footpaths.



Tubular columns (3-12m)

A range of tubular lighting columns suitable for road, residential and general amenity areas. Available root mounted or flange plated.

Code	A	OD1	OD2	OD3	Door Openings	B	Terrain Category	Max Head Load
Tubular Columns (Root Mounted)								
3CT76	3m	Ø140	Ø76	N/A	500 x 100	800	3	50kg/0.90m ²
4CT76	4m	Ø140	Ø76	N/A	500 x 100	800	3	50kg/0.50m ²
5CT76	5m	Ø140	Ø76	N/A	500 x 100	800	3	50kg/0.50m ²
6CT76	6m	Ø140	Ø76	N/A	500 x 100	1000	3	50kg/0.50m ²
6CTH89	6m	Ø168	Ø89	Ø76	600 x 115	1000	3	50kg/0.75m ²
8CT89	8m	Ø168	Ø89	Ø76	600 x 115	1200	2	50kg/0.36m ²
8CTM114	8m	Ø168	Ø114	Ø101	600 x 115	1200	2	60kg/0.55m ²
10CT114	10m	Ø168	Ø114	Ø101	600 x 115	1500	2	50kg/0.50m ²
10CTH140	10m	Ø192	Ø140	Ø127	600 x 115	1500	2	80kg/1.00m ²
12CTHB140	12m	Ø192	Ø140	Ø127	600 x 115	1700	2	70kg/0.85m ²

Code	A	OD1	OD2	OD3	Door Openings	B	Terrain Category	Max Head Load	Hole Centres C	Slot Size H	Bolt Code
Tubular Columns (Flange Plated)											
3CT76FP	3m	Ø140	Ø76	N/A	500 x 100	800	3	50kg/0.90m ²	200	20 x 50	FB001
4CT76FP	4m	Ø140	Ø76	N/A	500 x 100	800	3	50kg/0.50m ²	200	20 x 50	FB001
5CT76FP	5m	Ø140	Ø76	N/A	500 x 100	800	3	50kg/0.50m ²	200	20 x 50	FB001
6CT76FP	6m	Ø140	Ø76	N/A	500 x 100	1000	3	50kg/0.50m ²	200	20 x 50	FB001
6CTH89FP	6m	Ø168	Ø89	Ø76	600 x 115	1000	3	50kg/0.75m ²	200	24 x 50	FB007
8CT89FP	8m	Ø168	Ø89	Ø76	600 x 115	1200	2	50kg/0.36m ²	300	29 x 64	FB004
8CTM114FP	8m	Ø168	Ø114	Ø101	600 x 115	1200	2	60kg/0.55m ²	300	29 x 64	FB004
10CT114FP	10m	Ø168	Ø114	Ø101	600 x 115	1500	2	50kg/0.50m ²	300	29 x 64	FB004
10CTH140	10m	Ø192	Ø140	Ø127	600 x 115	1500	2	80kg/1.00m ²	300	29 x 64	FB004
12CTHB140	12m	Ø192	Ø140	Ø127	600 x 115	1700	2	70kg/0.85m ²	300	29 x 64	FB004

Conical lighting columns (4-8m)

An aesthetic range of conical lighting columns suitable for residential and amenity areas. Available root mounted or flange plated.

Code	A	B	OD1	OD2	OD3	Door Size	Terrain Category	Max Head Load	Max Windage
4CCS60L	4m	800mm	133mm	60mm	60 x 85	500 x 100	3	30kg	0.5m ²
5CCS60L	5m	800mm	145mm	60mm	60 x 85	500 x 100	3	35kg	0.5m ²
6CCS60L	6m	800mm	157mm	60mm	60 x 85	500 x 100	3	40kg	0.5m ²
8CCS60L	8m	1200mm	168mm	60mm	76mm	500 x 100	2	40kg	0.45m ²

Mid-hinged columns (4-8m)

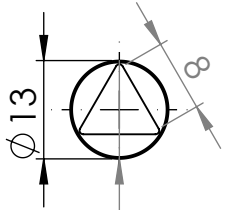
An easy-access range of mid-hinged columns suitable for residential, amenity, rail and industrial areas where conventional access platforms are unsafe or unsuitable for use. Available root mounted or flange plated.

Code	A	Description - Mid-hinged octagonal	B	Max Head Load*	Max Windage	Hole Size L	Flange Size / Code	Bolt Code	Bolt	Winch
Rope Operated										
4MHR	4m	Root mounted	800	20kg	0.5m ²					Rope
4MHFPL	4m	Flange plated		20kg	0.5m ²	200	300mm/18mm	M16 x 500	FB001	Rope
5MHR	5m	Root mounted	800	20kg	0.5m ²					Rope
5MHFPL	5m	Flange plated		20kg	0.5m ²	200	300mm/18mm	M16 x 500	FB001	Rope
6MHR	6m	Root mounted	1000	20kg	0.5m ²					Rope
6MHFPL	6m	Flange plated		20kg	0.5m ²	200	300mm/18mm	M16 x 500	FB001	Rope
Winch Operated										
4MHR	4m	Root mounted	800	35kg	0.5m ²					KLWINCHL
4MHFPL	4m	Flange plated		35kg	0.5m ²	200	300mm/18mm	M16 x 500	FB001	KLWINCHL
5MHR	5m	Root mounted	800	35kg	0.5m ²					KLWINCHL
5MHFPL	5m	Flange plated		35kg	0.5m ²	200	300mm/18mm	M16 x 500	FB001	KLWINCHL
6MHR	6m	Root mounted	1000	35kg	0.5m ²					KLWINCHL
6MHFPL	6m	Flange plated		35kg	0.5m ²	200	300mm/18mm	M16 x 500	FB001	KLWINCHL
8MHF1	8m	Flange plated		70kg	0.98m ²	300	420mm/25mm	M24 x 820	FB001	KLWINCHL
8MHR1	8m	Root mounted	1200	135kg	0.70m ²				FB004	KLWINCHSHD <100kg KLWINCHSHD2 >100kg

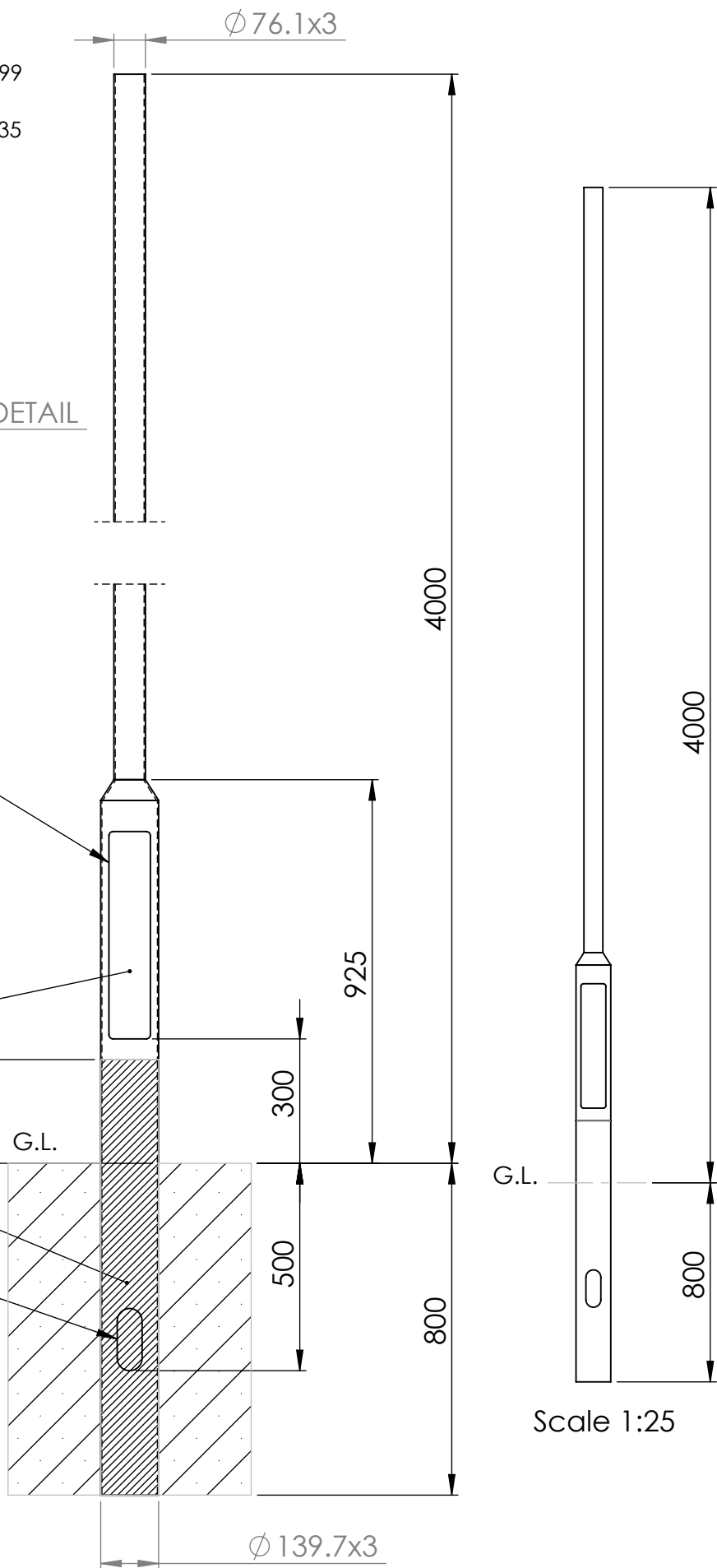
Above weight and windage area figures are based on a medium terrain category. Other sizes & variations available on request.

*Please note maximum carrying weight of a 4m - 6m mid - hinged column is 20kg with a rope or 35kg with a winch.

Material: BS EN 10219 or equivalent
 Design: BS EN 40
 Finish: Galvanised to BS EN 1461; 1999
 + external bitumen root
 Welding: In accordance with BS 5135
 Procedures to BS EN 288
 Welders qualified to BS EN 287



DOOR BOLT HEAD DETAIL



500x100 door cut-out,
 Wrap-a-round clamp style
 door with earth tag and M8
 brass earth bolt, nut and 2
 washers

Base compartment:
 earth clip and M8 brass
 nut and 2 washers
 hardwood backboard 550x90

T-wash and bitumen root

150x60 cable entry hole

Scale 1:25

Detail of change:	Updated bitumen coating length
Detail of change:	
Detail of change:	
© ALL RIGHTS RESERVED KINGFISHER LIGHTING 2016	

KINGFISHER LIGHTING LTD
 RATCHER WAY
 CROWN FARM INDUSTRIAL PARK
 MANSFIELD
 NOTTINGHAMSHIRE
 NG19 0FS

Title: 4CT76 Lighting Column			
Drawn: JKA	Checked: RW	Drawing No: KL3171	
Date: 24/09/2024			Issue: C
Material: BS EN 10219 or equivalent			
All dimensions in mm (unless otherwise stated)			



Kingfisher Lighting

Datasheet

Amenity & Highway Lighting Brackets

We have an in-house fabrication facility where we can produce a wide range of bracket arms in various designs, suitable for most types of luminaires and columns. Please discuss your bespoke design and manufacturing requirements with a member of our team. Some of our more popular designs are listed below.

Amenity Brackets

No. of Luminaires			
60mm Luminaire Entry	1	2	3 & 4 Way
Column Top Diameter			

60mm	Not required	AB2/76/60	On request
76mm	AB1/89/60	AB2/89/60	-
89/101mm	AB1/114/60	AB2/114/60	-
Wall bracket	ABW1/60	-	-

No. of Luminaires			
76mm Luminaire Entry	1	2	3 & 4 Way
Column Top Diameter			

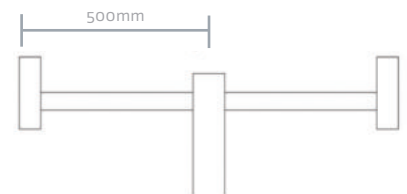
60mm	AB1/76/76	AB2/76/76	On request
76mm	N/A	AB2/89/76	-
89/101mm	AB1/114/76	AB2/114/76	-
127mm	AB1/140/76	AB2/140/76	-
Wall bracket	ABW1/76	-	-

For Crescent style substitute AB for BB and for downward curve add suffix D (e.g BBD).

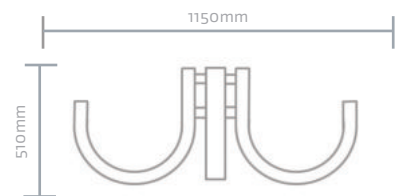
Example 1: AB1/76/76 becomes BB1/76/76.

Example 2: AB1/76/76 becomes BBD1/76/76.

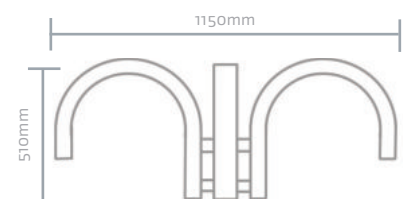
Precinct 'AB'



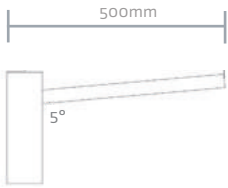
Crescent 'BB'



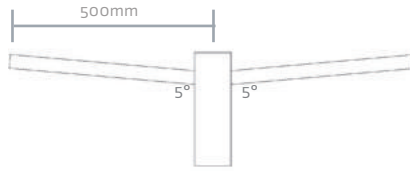
Crescent 'BBD'



SR



DR

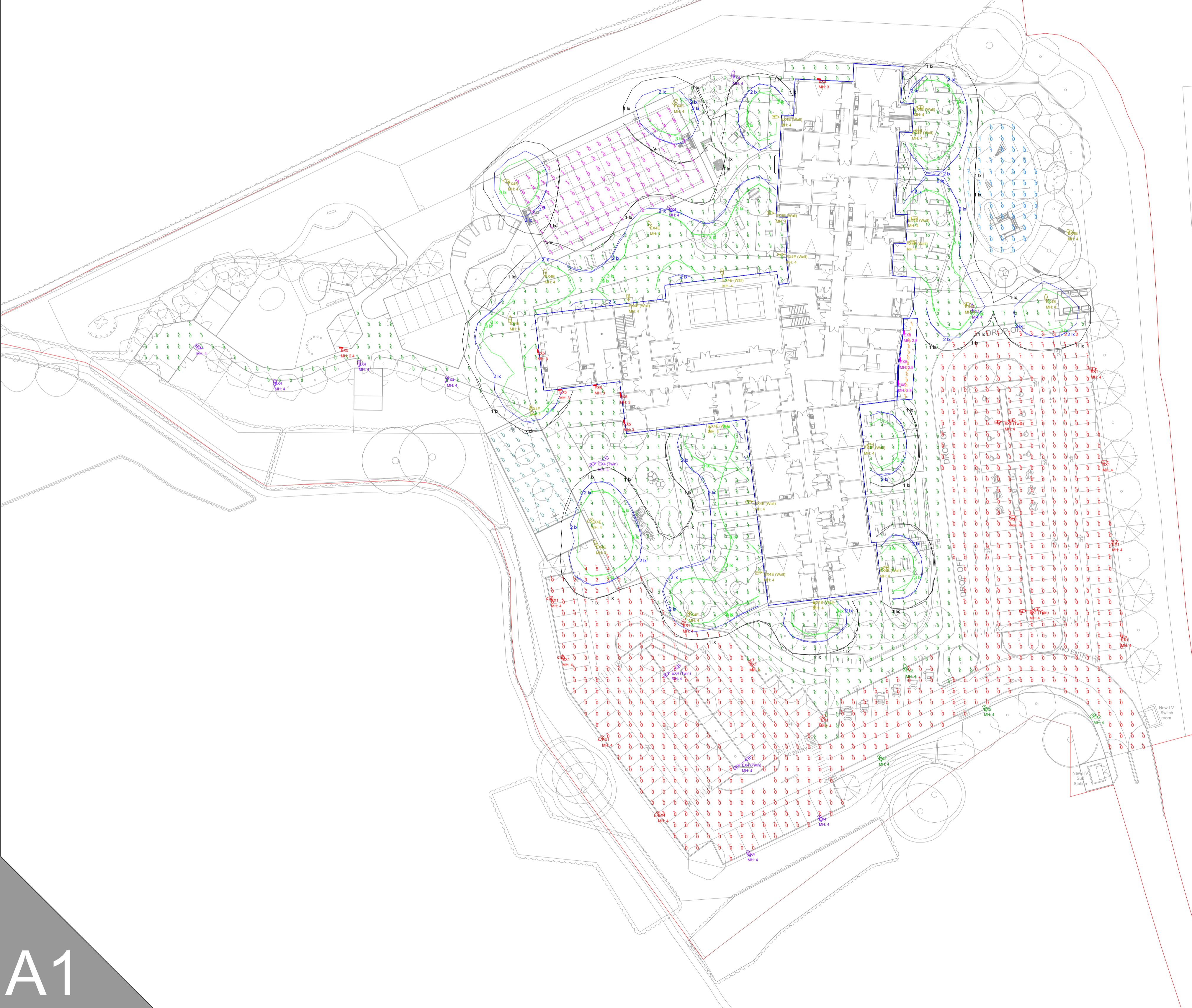


Highway Brackets

Column Top Diameter	Single	Double
34mm Luminaire Entry	Outreach 500mm	Outreach 500mm
76mm	SR0503489	DR0503489
89/101mm	SR05034114	DR05034114
Wall bracket (300mm)	RLWB03034	-
42mm Luminaire Entry	Outreach 500mm	Outreach 500mm
76mm	SR0504289	DR0504289
89/101mm	SR05042114	DR05042114
Wall bracket	RLWB05042	-
48mm Luminaire Entry	Outreach 500mm	Outreach 500mm
76mm	SR0504889	DR0504889
89/101mm	SR05048114	DR05048114
Wall bracket	RLWB05048	-
60mm Luminaire Entry	Outreach 500mm	Outreach 500mm
76mm	SR0506089	DR0506089
89/101mm	SR05060114	DR05060114
127mm	SR05060140	DR05060140
Wall bracket	RLWB05060	-

Dimensions are not to be scaled from this drawing

Symbol	No.	Label	Assignment	Lot	Description	Lumens (lm)	Watts (W)	Beam Angle	Mounting Height (m)	Beam Diameter (m)	Beam Spread (m)	Beam Angle (deg)
[Symbol]	1	001	0001A	1.000	100 LED 2700K VIVA-CITY Pro Flood with FW70 beam optic mounted at 4m	177	1.00	120	4.0	1.77	3.46	120
[Symbol]	2	002	0001A	1.000	100 LED 2700K VIVA-CITY Pro Flood with FW70 beam optic mounted at 4m	177	1.00	120	4.0	1.77	3.46	120
[Symbol]	3	003	0001A	1.000	100 LED 2700K VIVA-CITY Pro Flood with FW70 beam optic mounted at 4m	177	1.00	120	4.0	1.77	3.46	120
[Symbol]	4	004	0001A	1.000	100 LED 2700K VIVA-CITY Pro Flood with FW70 beam optic mounted at 4m	177	1.00	120	4.0	1.77	3.46	120
[Symbol]	5	005	0001A	1.000	100 LED 2700K VIVA-CITY Pro Flood with FW70 beam optic mounted at 4m	177	1.00	120	4.0	1.77	3.46	120
[Symbol]	6	006	0001A	1.000	100 LED 2700K VIVA-CITY Pro Flood with FW70 beam optic mounted at 4m	177	1.00	120	4.0	1.77	3.46	120
[Symbol]	7	007	0001A	1.000	100 LED 2700K VIVA-CITY Pro Flood with FW70 beam optic mounted at 4m	177	1.00	120	4.0	1.77	3.46	120
[Symbol]	8	008	0001A	1.000	100 LED 2700K VIVA-CITY Pro Flood with FW70 beam optic mounted at 4m	177	1.00	120	4.0	1.77	3.46	120
[Symbol]	9	009	0001A	1.000	100 LED 2700K VIVA-CITY Pro Flood with FW70 beam optic mounted at 4m	177	1.00	120	4.0	1.77	3.46	120
[Symbol]	10	010	0001A	1.000	100 LED 2700K VIVA-CITY Pro Flood with FW70 beam optic mounted at 4m	177	1.00	120	4.0	1.77	3.46	120
[Symbol]	11	011	0001A	1.000	100 LED 2700K VIVA-CITY Pro Flood with FW70 beam optic mounted at 4m	177	1.00	120	4.0	1.77	3.46	120
[Symbol]	12	012	0001A	1.000	100 LED 2700K VIVA-CITY Pro Flood with FW70 beam optic mounted at 4m	177	1.00	120	4.0	1.77	3.46	120
[Symbol]	13	013	0001A	1.000	100 LED 2700K VIVA-CITY Pro Flood with FW70 beam optic mounted at 4m	177	1.00	120	4.0	1.77	3.46	120
[Symbol]	14	014	0001A	1.000	100 LED 2700K VIVA-CITY Pro Flood with FW70 beam optic mounted at 4m	177	1.00	120	4.0	1.77	3.46	120
[Symbol]	15	015	0001A	1.000	100 LED 2700K VIVA-CITY Pro Flood with FW70 beam optic mounted at 4m	177	1.00	120	4.0	1.77	3.46	120
[Symbol]	16	016	0001A	1.000	100 LED 2700K VIVA-CITY Pro Flood with FW70 beam optic mounted at 4m	177	1.00	120	4.0	1.77	3.46	120
[Symbol]	17	017	0001A	1.000	100 LED 2700K VIVA-CITY Pro Flood with FW70 beam optic mounted at 4m	177	1.00	120	4.0	1.77	3.46	120
[Symbol]	18	018	0001A	1.000	100 LED 2700K VIVA-CITY Pro Flood with FW70 beam optic mounted at 4m	177	1.00	120	4.0	1.77	3.46	120
[Symbol]	19	019	0001A	1.000	100 LED 2700K VIVA-CITY Pro Flood with FW70 beam optic mounted at 4m	177	1.00	120	4.0	1.77	3.46	120
[Symbol]	20	020	0001A	1.000	100 LED 2700K VIVA-CITY Pro Flood with FW70 beam optic mounted at 4m	177	1.00	120	4.0	1.77	3.46	120



Part of the Luceco PLC group of companies **LUCECO**

BREEM New Construction 2018 (UK)



Colour Temperature (K)	Qty	Range	Light Source	Luminaire Lumens (lm)	Watts (W)	lm/W	LOF	Total Lumens	LOOF	Upward Lumens	CM	**AEE Watt Per Day	CO ₂ (tonnes)	kWh/Year
2700	16	Viva City PRO	40w LED FW70	3249	40	133.23	100%	83984	0.0%	0	>70	12	0.59	2833.20
2700	4	Viva City PRO	40w LED AY70	3579	40	139.46	100%	22316	0.0%	0	>70	12	0.33	750.80
2700	42	Viva City PRO	20w LED FW70	2039	20	101.95	100%	105756	0.0%	0	>70	12	0.77	3475.20
2700	7	Semita Urban	6w LED OC	483	6	134.83	100%	483	0.0%	0	>70	12	0.04	181.96
2700	3	Semita Urban	12w LED FL	1383	11	125.73	100%	4149	0.0%	0	>70	12	0.03	134.54

CO₂ Calculation For A Year

Total Installation Lumens: 220209.00 | Total Upward Light: 0.00%

Total CO₂ Per Year (tonnes): 1.98

Total Electric Consumption (kWh): 1.72

Total Electric Consumption Per Year (kWh): 7533.70

Average Luminaire Lumens Per Circuit Watt: 128.90

Compliance Status:

Part 6B: Reduction Of Night Time Light Pollution: Pass

Part 6C: Energy Efficient External Lighting: Pass

Part 6D: Internal and External Lighting Controls: Pass

Note: HEART in this report only applies to exterior lighting
** AEE = (Average Watt Time)

A1

Brunswick Primark School, Sheffield

Scale: 1: 400 at A1 | Project Number: D49401J

Date: 6 January 2026 | Drawing No.: D52522/JB/J

Lighting Designer: J Buck MSL

HEA | HEMSA | ILP | For our LED lighting designs a 0.9mf has been used. If this differs from the maintenance period for this project then you must advise us accordingly.

A lighting applications design service is provided by us in good faith and without charge, relating to Kingfisher products only. As such, whilst every endeavor is made for accuracy from information provided by yourselves, the final responsibility for the suitability of the design lies with the client. The company cannot, therefore, accept any liability or consequential loss incurred.