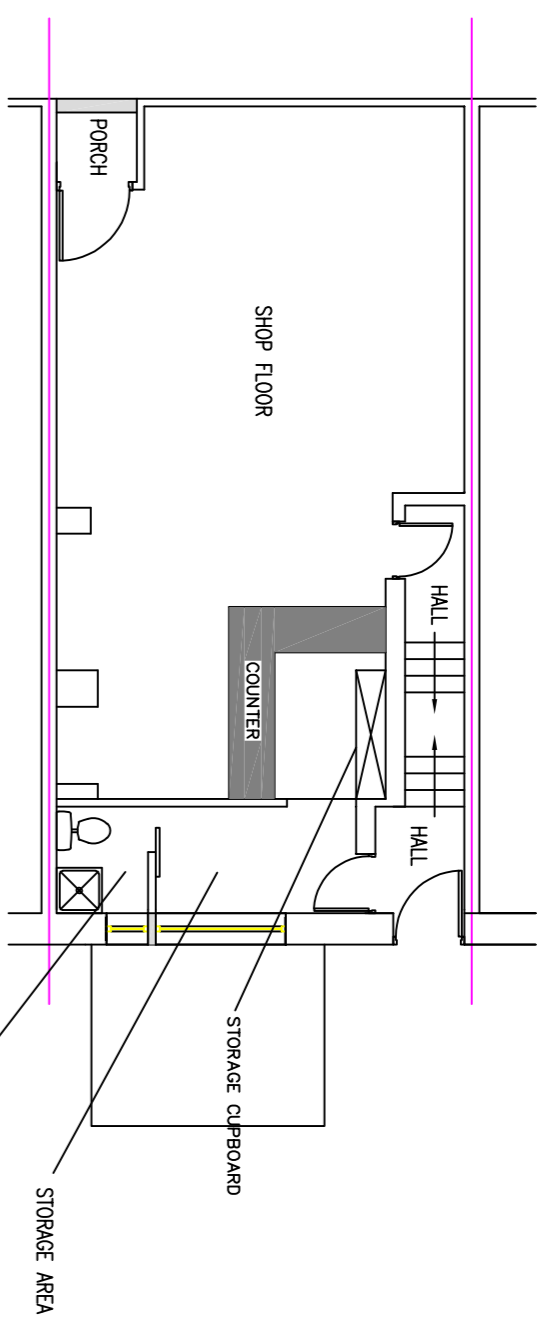
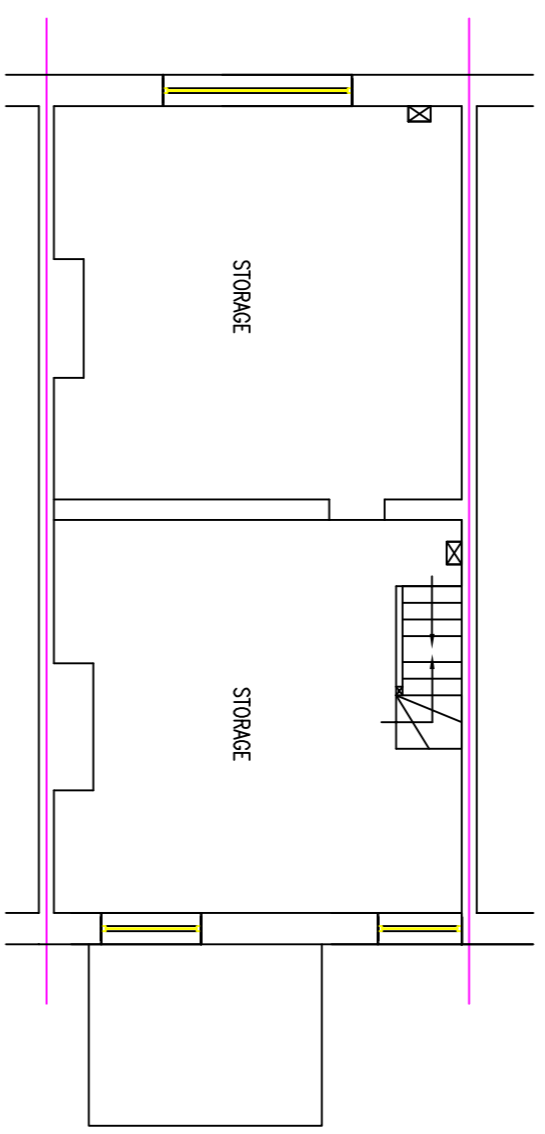


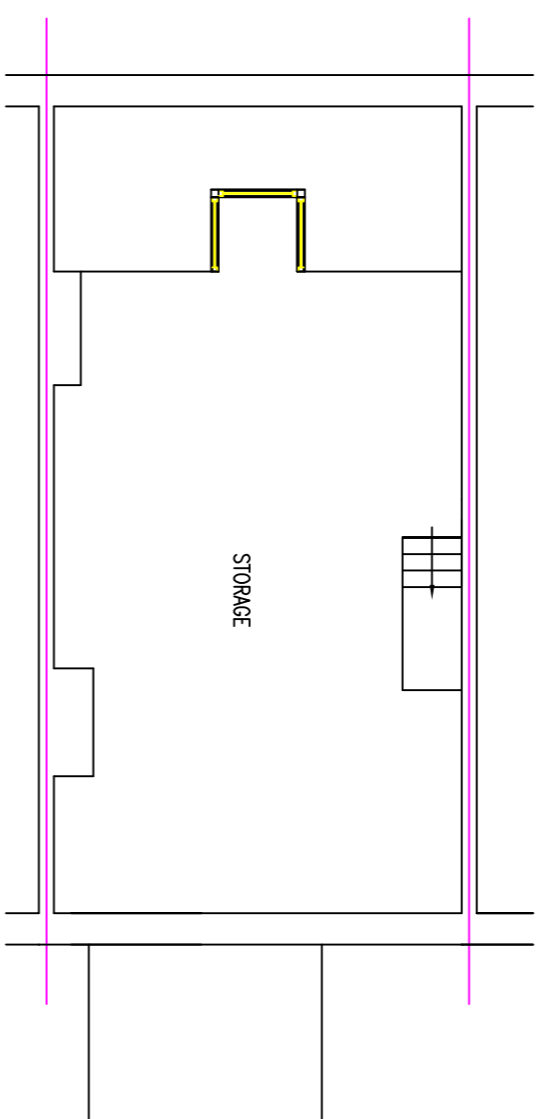
EXISTING CELLAR PLAN
SCALE 1:100



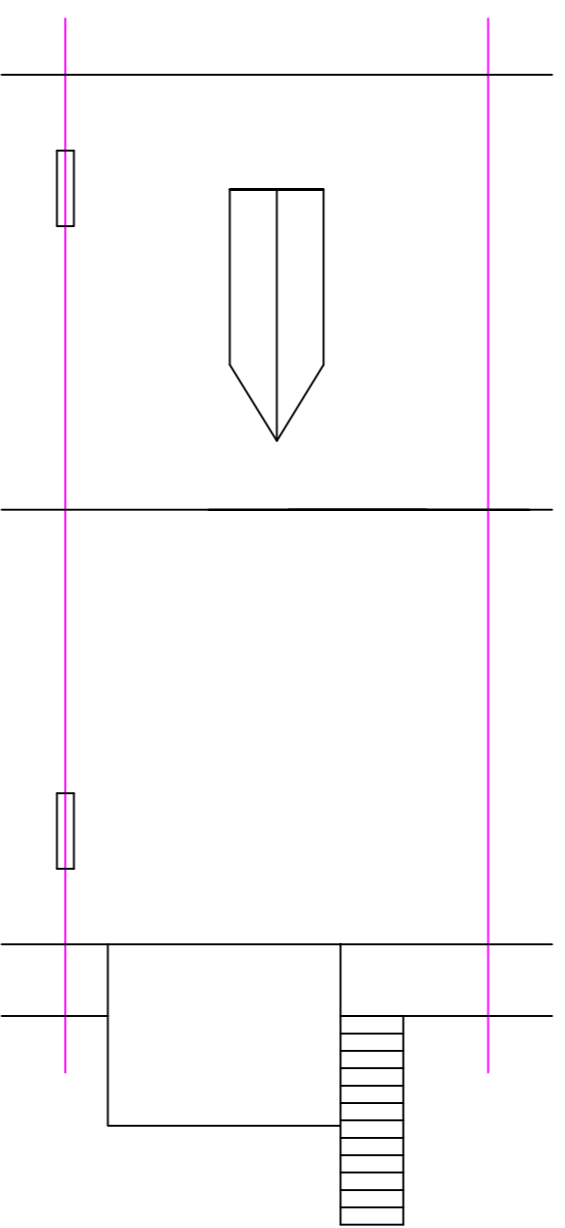
EXISTING GROUND FLOOR PLAN
SCALE 1:100



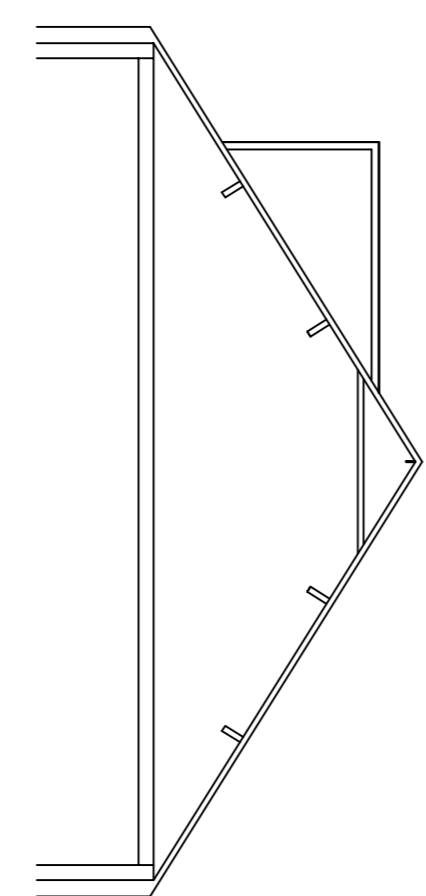
EXISTING FIRST FLOOR PLAN
SCALE 1:100



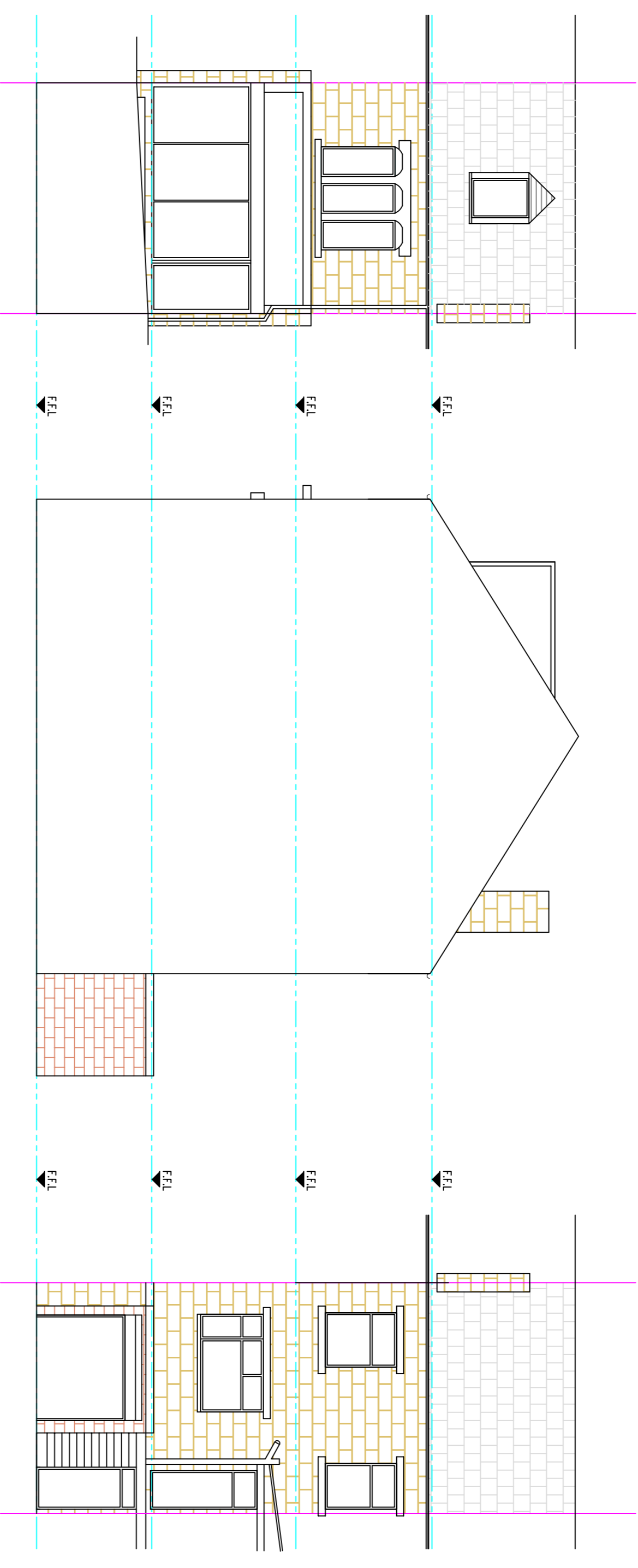
EXISTING SECOND FLOOR PLAN
SCALE 1:100



EXISTING SITE PLAN
SCALE 1:100



EXISTING GROSS SECTION
THROUGH ROOF
SCALE 1:100



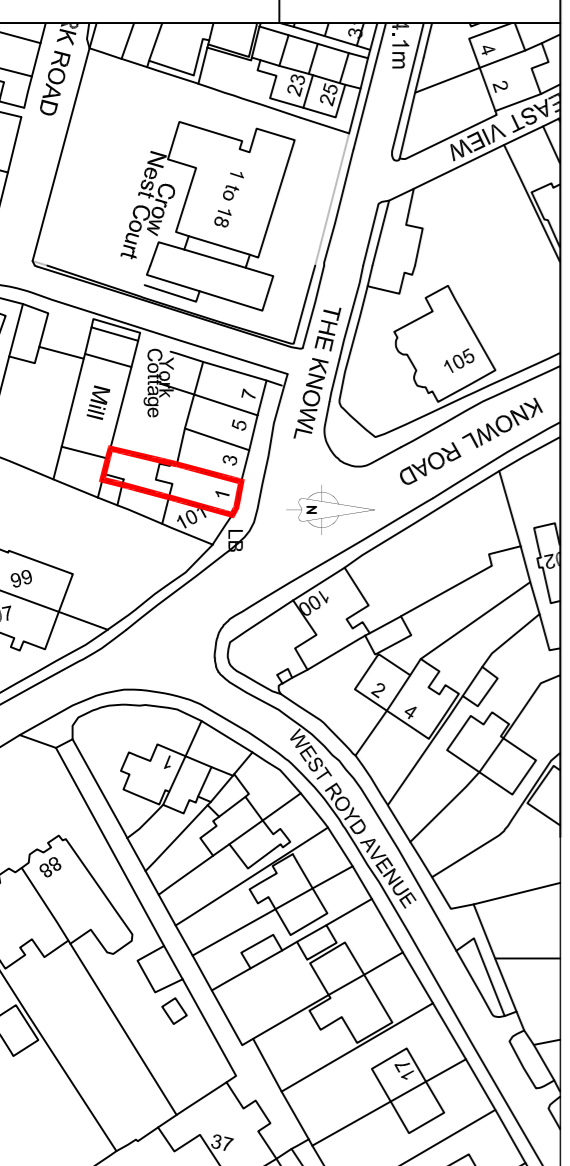
EXISTING FRONT ELEVATION
SCALE 1:100

EXISTING SIDE ELEVATION
SCALE 1:100

EXISTING REAR ELEVATION
SCALE 1:100

NOTE – THIS DRAWING IS FOR PLANNING PURPOSES ONLY – FURTHER DETAILED DRAWINGS WILL BE REQUIRED AS PART OF A BUILDING REGULATIONS APPLICATION.

NOTE – DO NOT SCALE OFF DRAWING. DIMENSIONS TO BE CONFIRMED ON SITE ALL DIMENSIONS IN MM



SITE LOCATION PLAN
SCALE 1:1250

Revisions	Date	Planning Application for:
	Oct 2025	Rear Dormer with 2 No. Flats
		1 The Knowl, Miffeld
		Drawing Title:
		Existing Plans and Elevations
		Drawing No: S01
		Rev