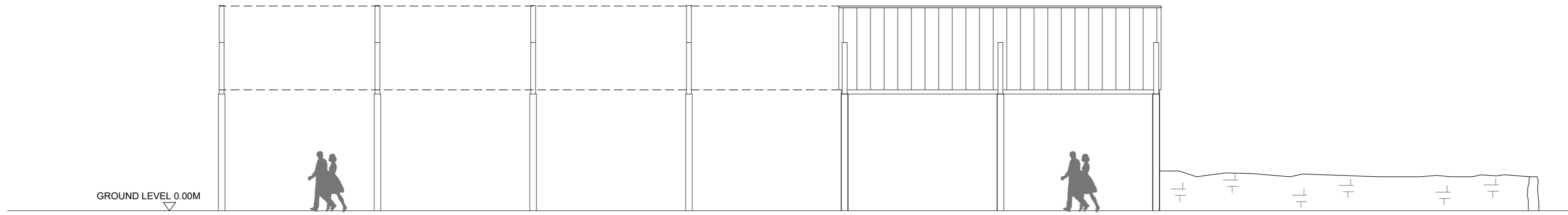
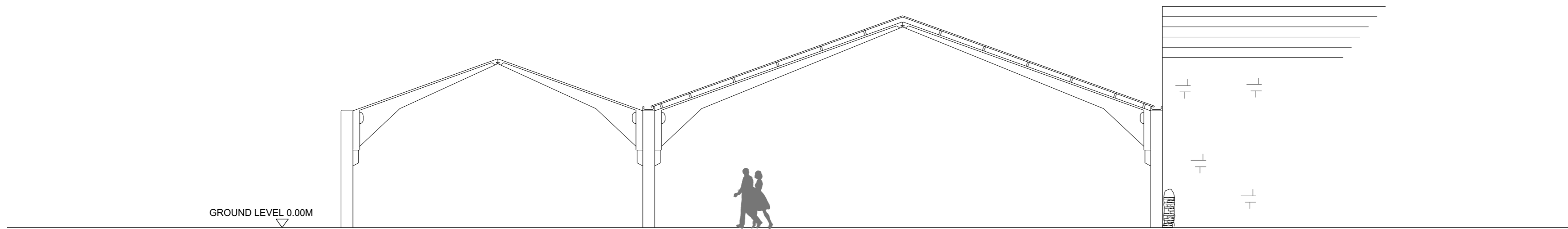


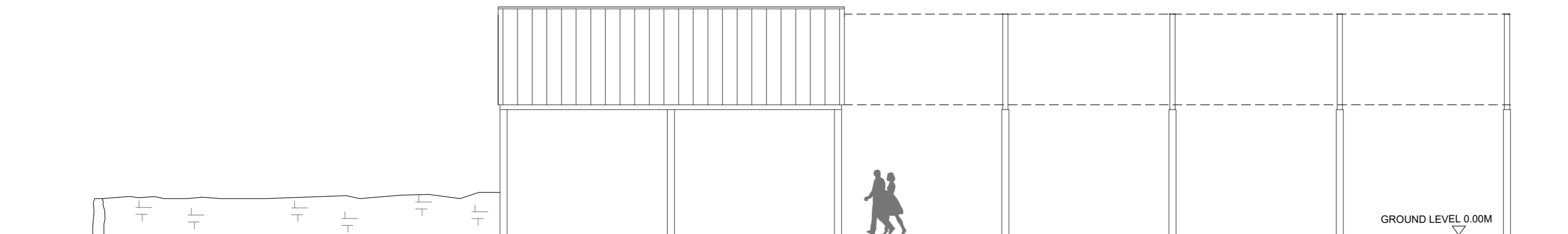
NOTE: ALL DIMENSIONS SHOWN ARE PROVISIONAL DIMENSIONS ONLY & SHOULD NOT BE READ AS EXACT MEASUREMENTS. THESE MAY NEED TO BE ALTERED DUE TO SITE CONSTRAINTS/ INSPECTION THE DRAWINGS AND DESIGN ARE THE COPYRIGHT OF L'ARCHE DEVELOPMENTS YORKSHIRE LTD & SHOULD NOT BE RE-PRODUCED WITHOUT PRIOR PERMISSION



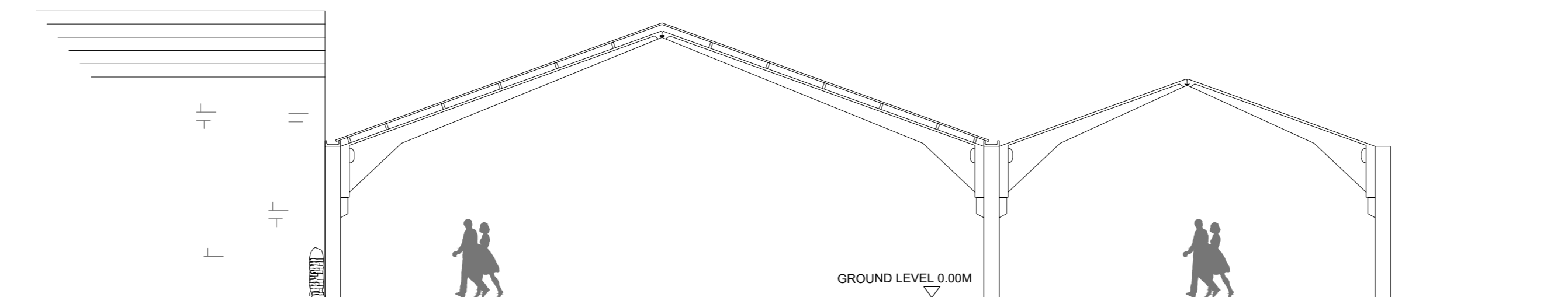
WEST ELEVATION



SOUTH ELEVATION



EAST ELEVATION



NORTH ELEVATION

DRAWING DESCRIPTION
Existing Elevations
Plot 5

JOB TITLE
DRY HILL FARM, DRY HILL LANE
UPPER DENBY

CLIENT
MRS G POWELL

DRAWN BY	SCALE 1:100 @ A2
DATE April 2026	DRAWING NO. 1137/00-25
CHECKED	REVISION -



L'Arche Developments (Yorkshire) Ltd
03 The Old Brickworks, The Studio
Thurstonland
HD4 6UY
mail@larchedevelopments.co.uk
Company Reg: 8145594 VAT Reg: 141626355
Claire Parker-Hugill 07787226469 & Emma Hanks 07779724443