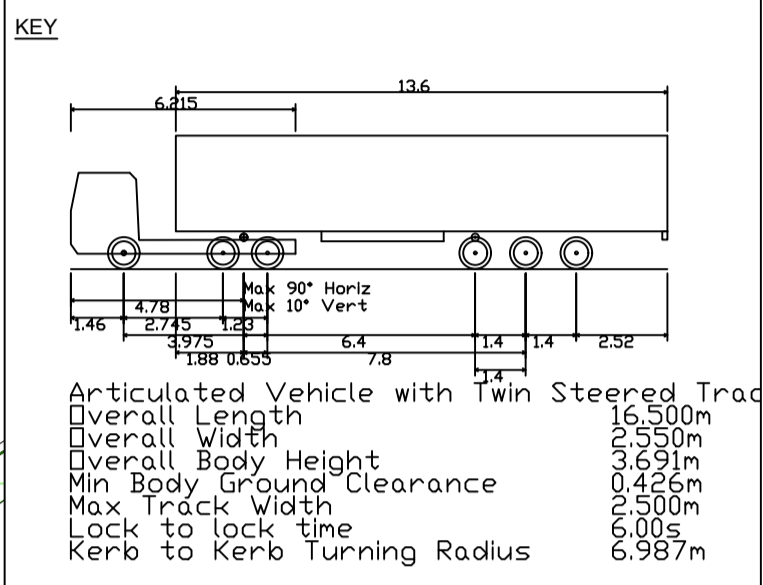


- NOTES**
1. THIS DRAWING IS PRODUCED FOR USE IN THIS PROJECT ONLY AND MAY NOT BE USED FOR ANY OTHER PURPOSE. THE CONSULTING ENGINEERS ACCEPT NO LIABILITY FOR THE USE OF THIS DRAWING OTHER THAN THE PURPOSE FOR WHICH IT WAS INTENDED IN CONNECTION WITH THIS PROJECT AS RECORDED ON THE TITLE BLOCK FIELDS 'PURPOSE FOR ISSUE' AND 'FILE STATUS CODE'.
 2. THIS DRAWING MAY NOT BE REPRODUCED IN ANY FORM WITHOUT PRIOR WRITTEN AGREEMENT FROM ADVANT ENGINEERS.
 3. DO NOT SCALE FROM THE DRAWING. USE WRITTEN DIMENSIONS ONLY.
 4. ALL DIMENSIONS ARE IN MILLIMETRES UNLESS OTHERWISE SPECIFIED.
 5. DISCREPANCIES MUST BE REPORTED BACK TO THE ENGINEER PRIOR TO CONSTRUCTION.
 6. THIS DRAWING TO BE READ IN CONJUNCTION WITH ALL RELEVANT ADVANT ENGINEERS DRAWINGS AND SPECIFICATIONS.



A	INITIAL ISSUE	MJM	11.03.26
REV	AMENDMENTS	BY	DATE

FOR COMMENT

STATUS	CHK'D
PRELIMINARY	MJM
FOR COMMENT	MJM
FOR APPROVAL	
FOR CONSTRUCTION	
AS BUILT	


 Unit 6 Benton Office Park, Bennett Avenue
 Horbury, Wakefield, West Yorkshire, WF4 5RA
 01924 654108
 wakefield@advantengineers.co.uk

CLIENT
BARNES HOMES

CONTRACT
**LAND ADJ VICTORIA SPRING
 BUSINESS PARK, WORMALD ST.
 LIVERSEDGE, WF15 8EU**

TITLE
**SWEPT PATH ANALYSIS
 HGV**

DRAWN	MJM	CHK'D	MJM
SCALE	1:250 @ A1	DATE	11.03.26

JOB No	DRG No	REV
25048	109	A