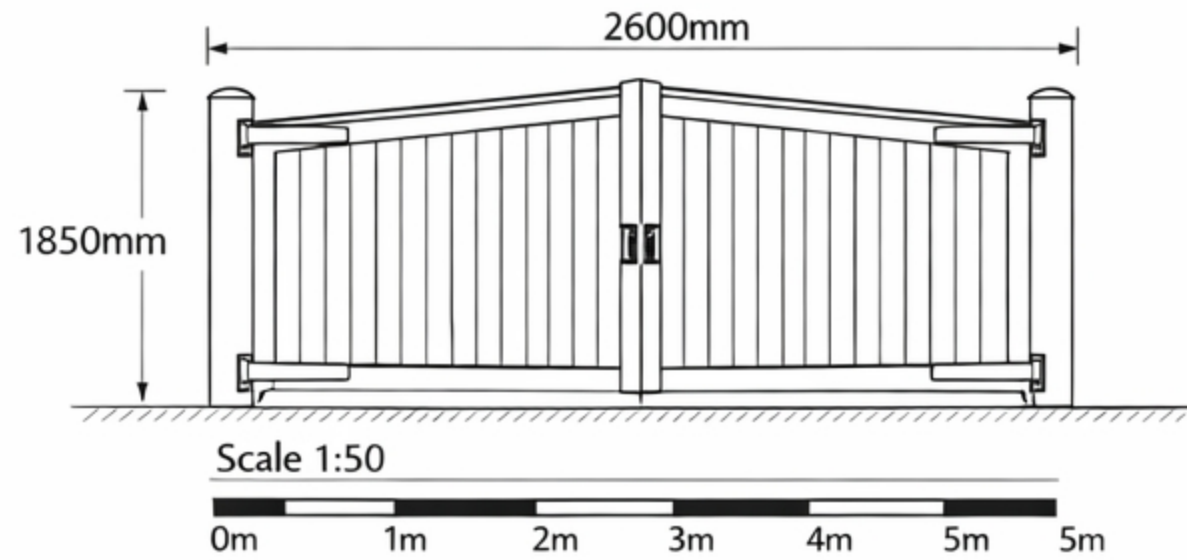
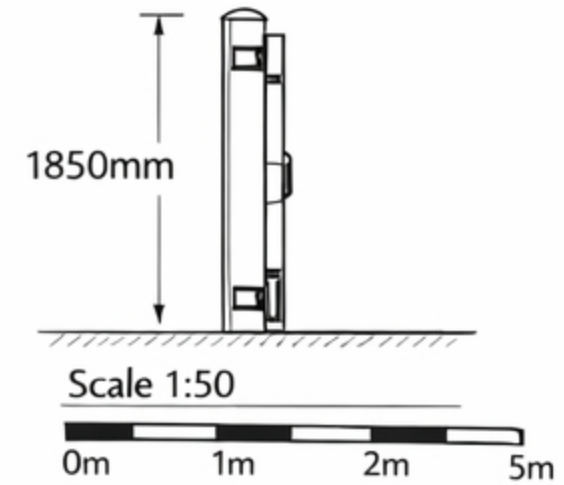


Proposed Double Gate - Elevations

Front Elevation

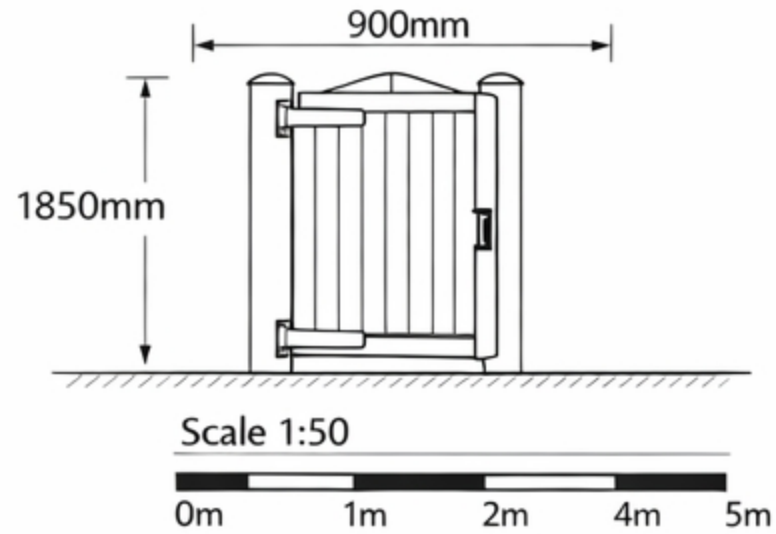


Side Elevation

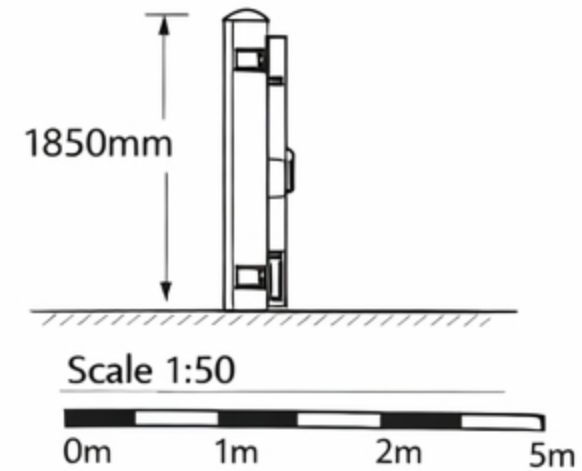


Proposed Single Gate - Elevations

Front Elevation



Side Elevation



Front Elevation



Side Elevation

