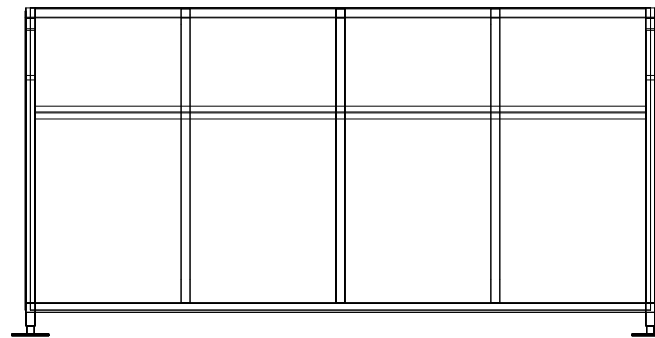


**PROPOSED CYCLE SHELTER PLAN**  
SCALE 1:50



**PROPOSED FRONT ELEVATION**  
SCALE 1:50

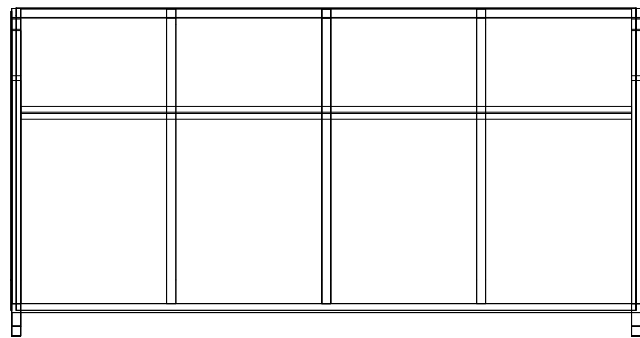


**EXAMPLE OF BIKE SHELTER**

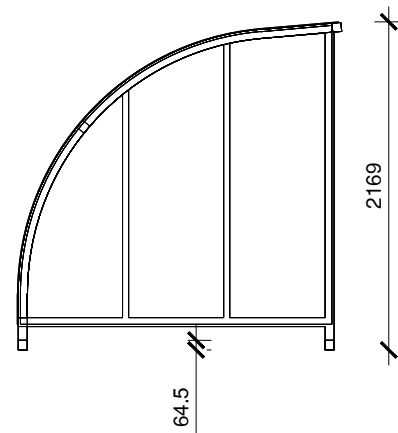
- Polycarbonate End Panels Included.
- Hot dipped galvanised to BS EN 10648:2022.
- Robust modular construction featuring load bearing purlins.
- Welded end frames and purlin section made from heavy-duty box section assembled with anti-tamper high strength bolts.

- Anti-climb end frames.
- Bottom purlin provides anti-crawl bar on level surface.
- BREEAM 7 Code for Sustainable Homes Compliant.
- Cladding is fire tested to EN ISO 11925-2.
- Cladding is UV stabilised wind resistant to 23m/s.

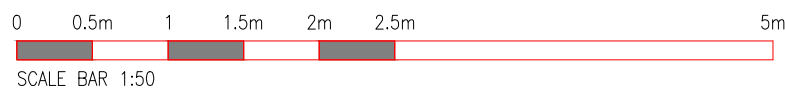
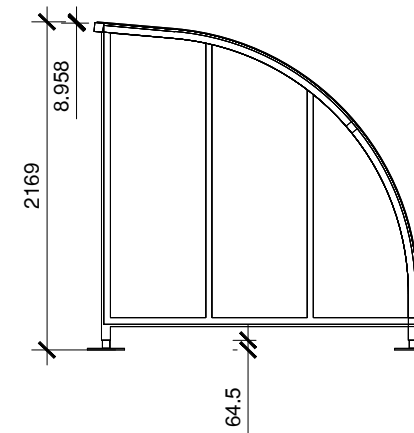
Dimensions = Depth 2140mm x Height 2150mm x Width 4100mm  
=10 Cycles Storage Capacity



**PROPOSED REAR ELEVATION**  
SCALE 1:50



**PROPOSED SIDE ELEVATIONS**  
SCALE 1:50



Rev	Note	Initial	Date
3 Richmond House, Caldene Business Park, Mytholmroyd, Hebden Bridge, West Yorkshire, HX7 5QJ 01422 883317 enquiries@tdjagger.ltd.uk www.tdjagger.ltd.uk			
Client JLB Group			
Project Turnbridge Mills Quay Street Huddersfield			
Drawing Proposed Cycle Shelter			
Date Mar 2026	Drawn CS	Checked TDJ	Scale 1:50 @ A3
Drwg. No. 3310 76			Revision -
Drawings are to scale indicated for planning purposes. No scaling permitted for construction purposes. Information on this drawing is copyright. All rights reserved. No part of this work may be reproduced or transmitted in any form by any means, either electronically, mechanically, by photocopying, recording or otherwise stored in any retrieval system of any nature, without the express consent of T D Jagger Ltd.			Don't Ignore Health & Safety 