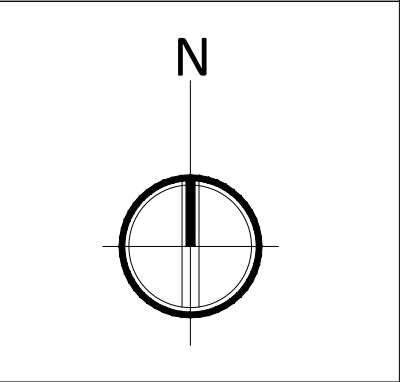
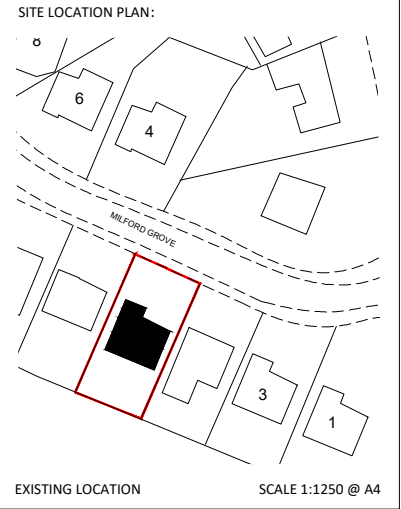


LOCATION PLAN SCALE 1:500 @ A4

**PLEASE NOTE**  
 THE ARCHITECTURAL DRAWINGS ARE PROTECTED UNDER COPYRIGHT LAW, THESE DRAWINGS MAY NOT BE REPRODUCED WITHOUT THE EXPRESS CONSENT OF THE ORIGINAL COPYRIGHT OWNER.



**LOCATION-PLAN-26-6160-01**

**PROJECT TITLE:**  
 DOUBLE STOREY REAR EXTENSION

**CLIENT DETAILS:**  
 7 MILFORD GROVE,  
 GOMERSAL,  
 CLECKHEATON  
 BD19 4BB

<b>DRAWING TITLE:</b>	LOCATION PLAN
<b>DRAWING TYPE:</b>	PLANNING-DRAWING
<b>SCALE:</b>	1:1250-1:500@A4