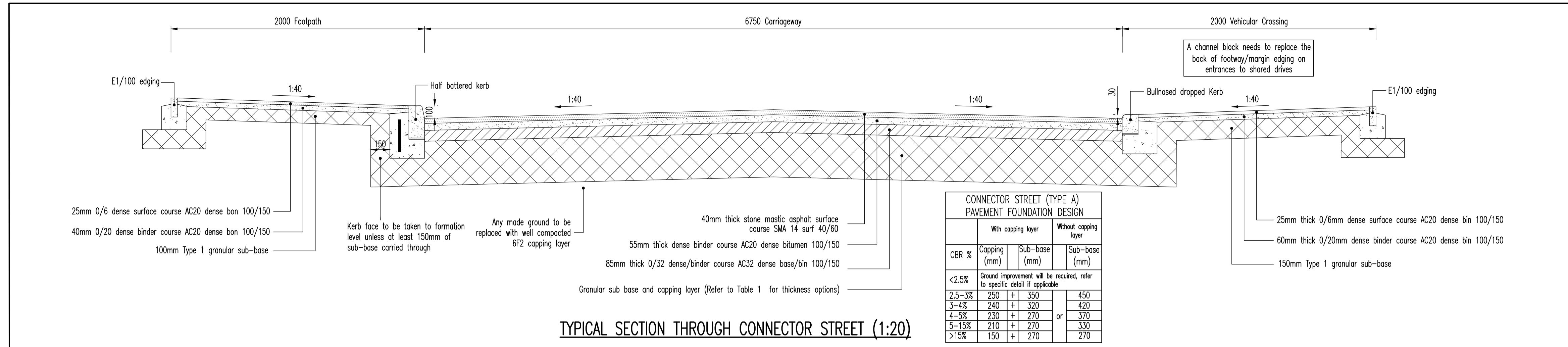


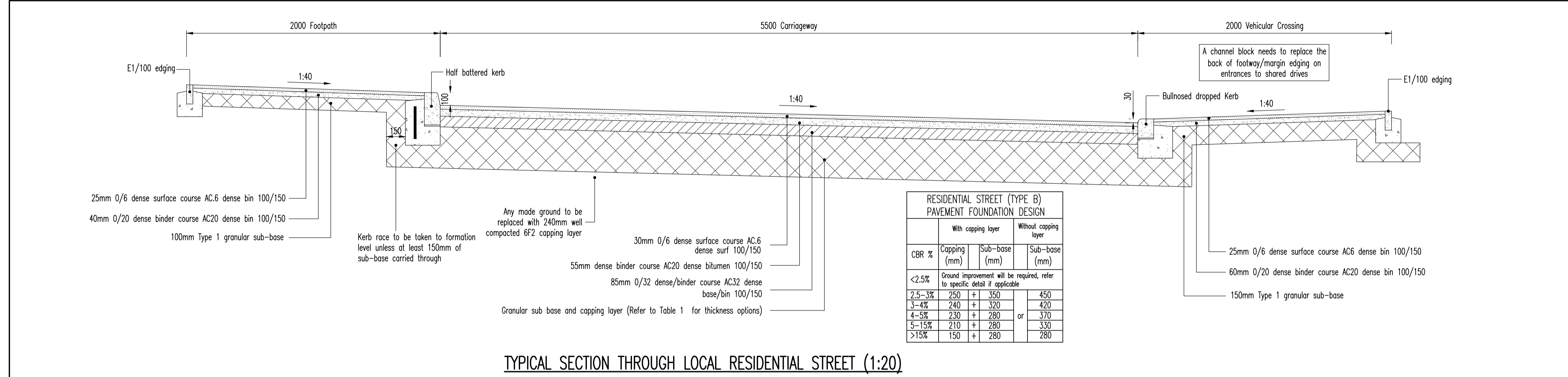
**N O T E S**

ATTENTION IS DRAWN TO THE REQUIREMENTS OF THE CONSTRUCTION DESIGN AND MANAGEMENT REGULATIONS 2015 AND THE DUTIES AND RESPONSIBILITIES CONTAINED THEREIN. ALL DESIGNS ARE SUBJECT TO THE APPROVAL OF ALL RELEVANT AUTHORITIES

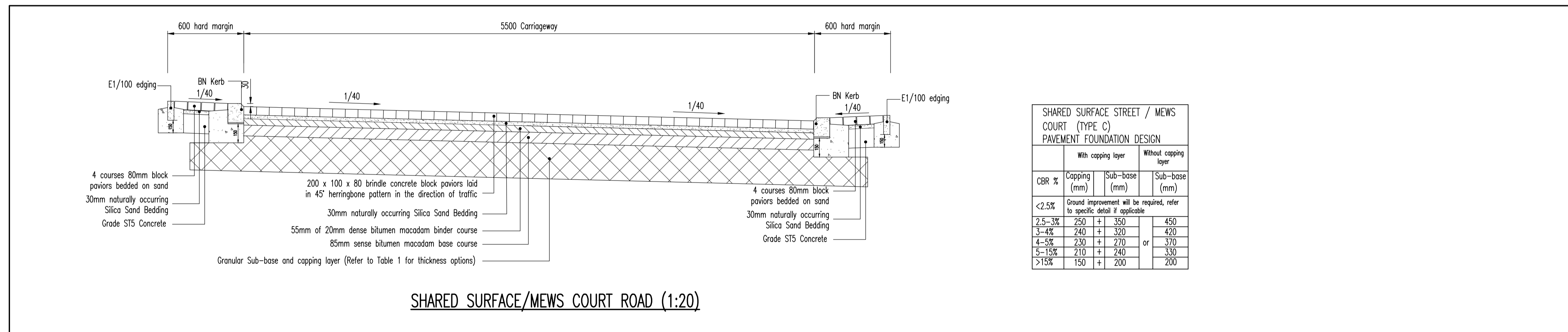
- All highway works are to be constructed in accordance with the Kirklees Metropolitan Council Highways Standard Details.
- All highway works are to be subject of a Section 38 Agreement of the Highways Act 1980.
- Any coated base material in the carriageway left exposed for more than seven days to be sealed using bituminous sealing grit.
- Highway boundary to be indicated by back edgings laid flush or change of material on private drives.
- All vertical faces of joints involving flexible materials shall be treated with an approved joint sealant. This includes ironwork and precast products. Overbanding shall not be accepted.
- Any final surfacing to be discussed with Kirklees Metropolitan Council.
- Unsealed and loose material such as crushed stone, gravel or pebbles is not acceptable to the adoptable highway.
- Do not scale from this drawing.



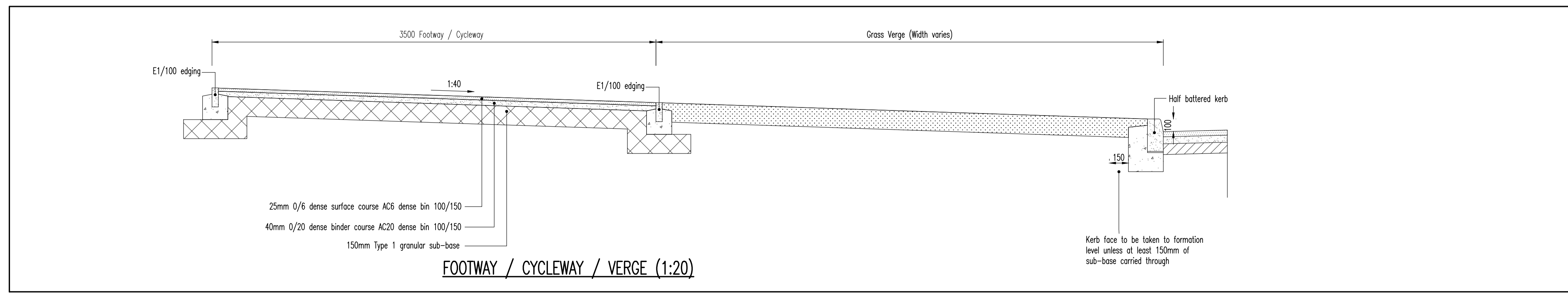
TYPICAL SECTION THROUGH CONNECTOR STREET (1:20)



TYPICAL SECTION THROUGH LOCAL RESIDENTIAL STREET (1:20)



SHARED SURFACE/MEWS COURT ROAD (1:20)



FOOTWAY / CYCLEWAY / VERGE (1:20)

Rev	By	Date	Revision	Issued for approval	MI
/	JC	28.02.25			

**ARP ASSOCIATES**  
Chartered Consulting Engineers

Northwest House • 5 & 6 Northwest Business Park • Servia Hill, Leeds • LS6 2QH  
0113 245 8498 • 0113 244 3864 • Leeds@arpassociates.co.uk • www.arpassociates.co.uk

ARP Associates is a trading division of ARP Geotechnical Ltd, a company registered in England and Wales with company number 3778313, whose registered office is at 5/6 Northwest Business Park, Servia Hill, Leeds LS6 2QH

**TITLE**  
TYPICAL HIGHWAY DETAILS  
SHEET 1 OF 3  
HIGHWAY CONSTRUCTION

**PROJECT**  
BLACKMOORFOOT ROAD,  
HUDDERSFIELD

**CLIENT**  
MILLER HOMES  
YORKSHIRE

**DRAWING STATUS**  
PRELIMINARY

Scale	Date	Drawn
1:500 @ A1	FEB 25	DJG
	Chk.	MI

Dr. No. 425/92/04.01