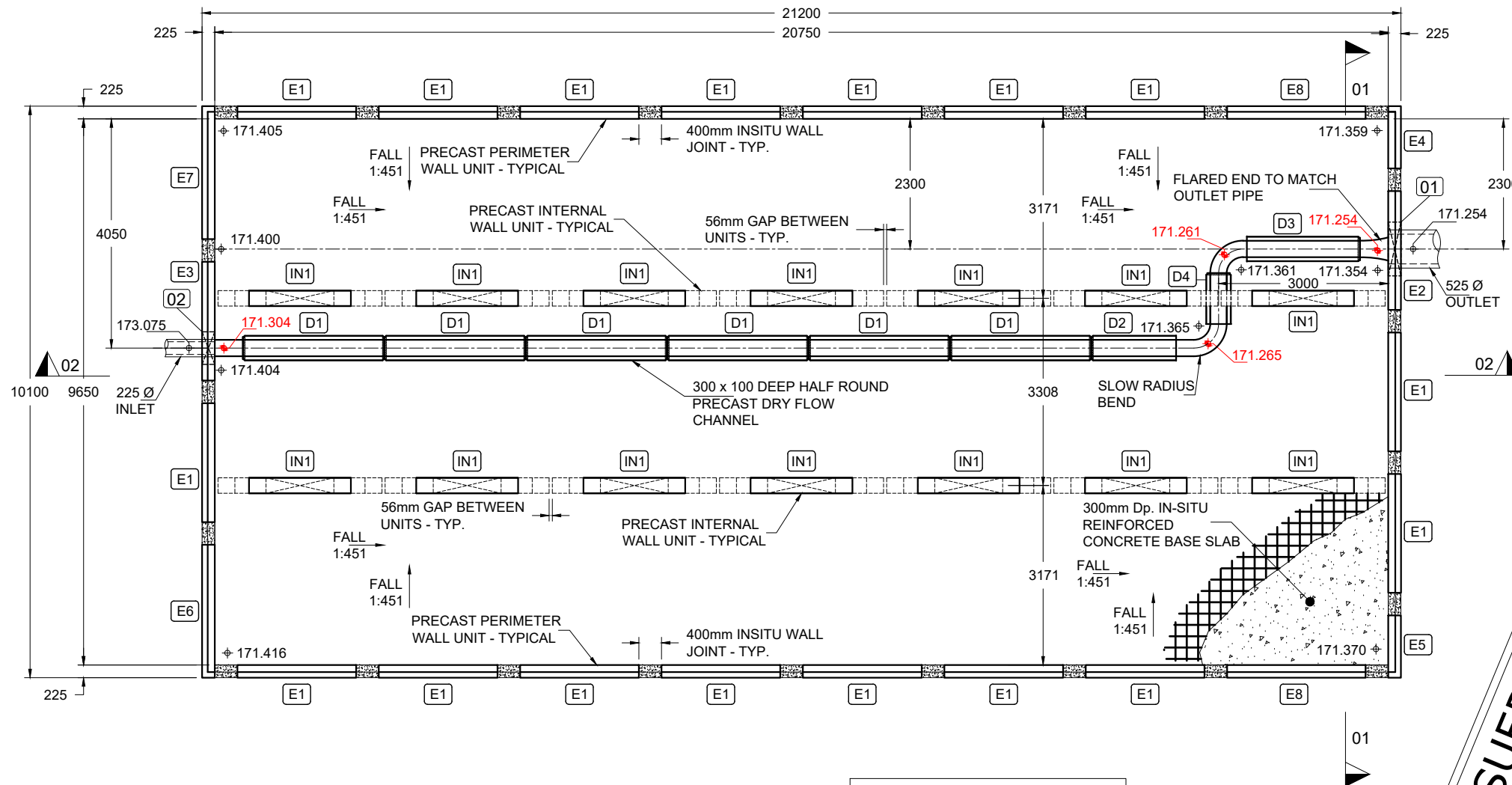


<b>Drawn By:</b> TH	<b>Rev.</b>	<b>Date.</b>	<b>Comments.</b>
<b>Chkd By:</b> PL	A	30-10-25	INVERT AND SURFACE LEVELS REVISED
<b>Date:</b> 05-06-25	B	04-11-25	PLAN DIMENSIONS REVISED. EXTRA LINE OF INTERNAL WALLS ADDED
<b>Drg No.:</b> STS4219-001	C	06-11-25	TURRET DETAILS ADDED

**DRAWING TITLE:** NEWETT HOMES  
YEW TREE ROAD, BIRCHENCLIFFE  
2.0m DEEP ATTENUATION TANK  
BASE LAYOUT

ALL ADOPTABLE SEWER WORKS AND MATERIAL TO BE IN ACCORDANCE WITH SEWERAGE SECTOR GUIDANCE DESIGN AND CONSTRUCTION GUIDANCE [CODE FOR ADOPTION]. THE RELEVANT BRITISH/EUROPEAN AND YORKSHIRE WATER'S STANDARDS/REQUIREMENTS/LOCAL PRACTICE FOR THE ADOPTION OF SMALL SUBMERSIBLE FOUL AND SURFACE WATER PUMPING STATIONS AND KITEMARKED



**BASE PLAN:**  
Scale: 1:100

00.000 = DENOTES INVERT LEVEL IN DRY FLOW CHANNEL  
00.000 = DENOTES STRUCTURAL SLAB LEVEL

STORAGE VOLUME: 391m³

**ISSUED FOR APPROVAL**

PRECAST CONCRETE SPECIFICATION	
CONCRETE GRADE:	C40/50
EXPOSURE CLASS:	XD1 / XC4
DESIGN CHEMICAL CLASS:	DC-1
MIN CEMENT CONTENT:	360 kg/m³
CEMENT TYPE:	CEM IIB-S
GGBS CONTENT:	25%
MAX WATER / CEMENT RATIO:	0.45
AGGREGATE TYPE:	LIMESTONE
MAX AGGREGATE SIZE:	14mm
SLUMP CLASS:	N/A

INSITU CONCRETE SPECIFICATION GENERAL	
CONCRETE GRADE:	C35/45
EXPOSURE CLASS:	XD1 / XC4
DESIGN CHEMICAL CLASS:	DC-1
MIN CEMENT CONTENT:	340 kg/m³
MAX CEMENT CONTENT:	400 kg/m³
CEMENT TYPE:	CEM IIIA + SR
GGBS CONTENT:	50%
MAX WATER / CEMENT RATIO:	0.50
AGGREGATE TYPE:	LIMESTONE
MAX AGGREGATE SIZE:	20mm
SLUMP CLASS:	SEE NOTE 1

INSITU CONCRETE SPECIFICATION WALL JOINTS AND ROOF SCREED	
CONCRETE GRADE:	C35/45
EXPOSURE CLASS:	XD1 / XC4
DESIGN CHEMICAL CLASS:	DC-1
MIN CEMENT CONTENT:	380 kg/m³
MAX CEMENT CONTENT:	400 kg/m³
CEMENT TYPE:	CEM IIIA + SR
GGBS CONTENT:	50%
MAX WATER / CEMENT RATIO:	0.50
AGGREGATE TYPE:	LIMESTONE
MAX AGGREGATE SIZE:	10mm
SLUMP CLASS:	SEE NOTE 1
<b>NOTE 1:</b>	PUMP MIX 120mm TARGET SLUMP (TOLERANCE -10mm, +40mm)

NOMINAL COVER	
PRECAST:	40mm
INSITU:	45mm
BASE SLAB BOTTOM STEEL :	50mm

SURFACE FINISHES	
ROOF SCREED:	WOOD FLOAT
BASE SLAB:	STEEL TROWEL
INTERNAL SURFACE:	FAIR WORKED
EXTERNAL SURFACE:	FAIR

KEY TO PRECAST WALL TYPES					
TYPE	DESCRIPTION	QUANTITY	HEIGHT	WIDTH	WEIGHT
E1	STANDARD EXTERNAL WALL	17	2.550m	2.10m	2.94t
E2	STANDARD EXTERNAL WALL WITH OPENING	1	2.550m	2.10m	2.41t
E3	STANDARD EXTERNAL WALL WITH OPENING	1	2.550m	2.10m	2.72t
E4	CUSTOM EXTERNAL WALL	1	2.550m	1.10m	1.54t
E5	CUSTOM EXTERNAL WALL	1	2.550m	1.10m	1.54t
E6	CUSTOM EXTERNAL WALL	1	2.550m	2.35m	3.29t
E7	CUSTOM EXTERNAL WALL	1	2.550m	2.35m	3.29t
E8	CUSTOM EXTERNAL WALL	2	2.550m	2.45m	3.43t
IN1	STANDARD INTERNAL WALL	14	1.99m	2.90m	1.62t
D1	STANDARD PRECAST DRY FLOW CHANNEL (2.50m LONG)	6	0.100m	0.30m	0.43t
D2	STANDARD PRECAST DRY FLOW CHANNEL (1.50m LONG)	1	0.100m	0.30m	0.26t
D3	STANDARD PRECAST DRY FLOW CHANNEL (2.00m LONG)	1	0.100m	0.30m	0.34t
D4	STANDARD PRECAST DRY FLOW CHANNEL (0.90m LONG)	1	0.100m	0.30m	0.15t

DESIGN ASSUMPTIONS	
DESIGN LIFE:	50 YEARS
DESIGN EXPOSURE CLASSIFICATION:	XD1 / XC4
DESIGN CHEMICAL CLASS:	DC-1
TIGHTNESS CLASS:	CLASS 1
IMPOSED LOAD ON COVER SLAB:	MORE ONEROUS OF 10 kn/m² UDL OR 40t HGV AXLE LOADING
MAXIMUM COVER LEVEL:	+175.700m (2.050m OVERBURDEN)
MINIMUM COVER LEVEL:	+174.300m (0.680m OVERBURDEN)
ASSUMED INTERNAL WATER LEVEL:	TOP OF TANK LEVEL
ASSUMED GROUND WATER LEVEL (FLOATATION):	+174.300m ( SURFACE LEVEL )
ASSUMED GROUND WATER LEVEL (ULS):	SURFACE LEVEL
ASSUMED GROUND WATER LEVEL (SLS):	TOP OF TANK LEVEL
ASSUMED ALLOWABLE BEARING PRESSURE	>75 kn/m² ( FOUNDED ON FIRM BROWN CLAY )

KEY TO WALL OPENING TYPES			
	QUANTITY	DESCRIPTION	INVERT
01	1	950mm x 950mm OPENING FOR 525 Ø CONCRETE PIPE	171.254
02	1	575mm x 760mm OPENING FOR 225 Ø CLAY PIPE	173.075

ESTIMATED INSITU CONCRETE VOLUMES	
INSITU CONCRETE BLINDING	21.0m³
BASE SLAB	65.0m³
ROOF SCREED	28.5m³
INSITU WALL JOINTS	5.0m³
BENCHING	n/a
ESTIMATED VOLUMES INCLUDE A 5% ALLOWANCE FOR SITE DEVIATION	

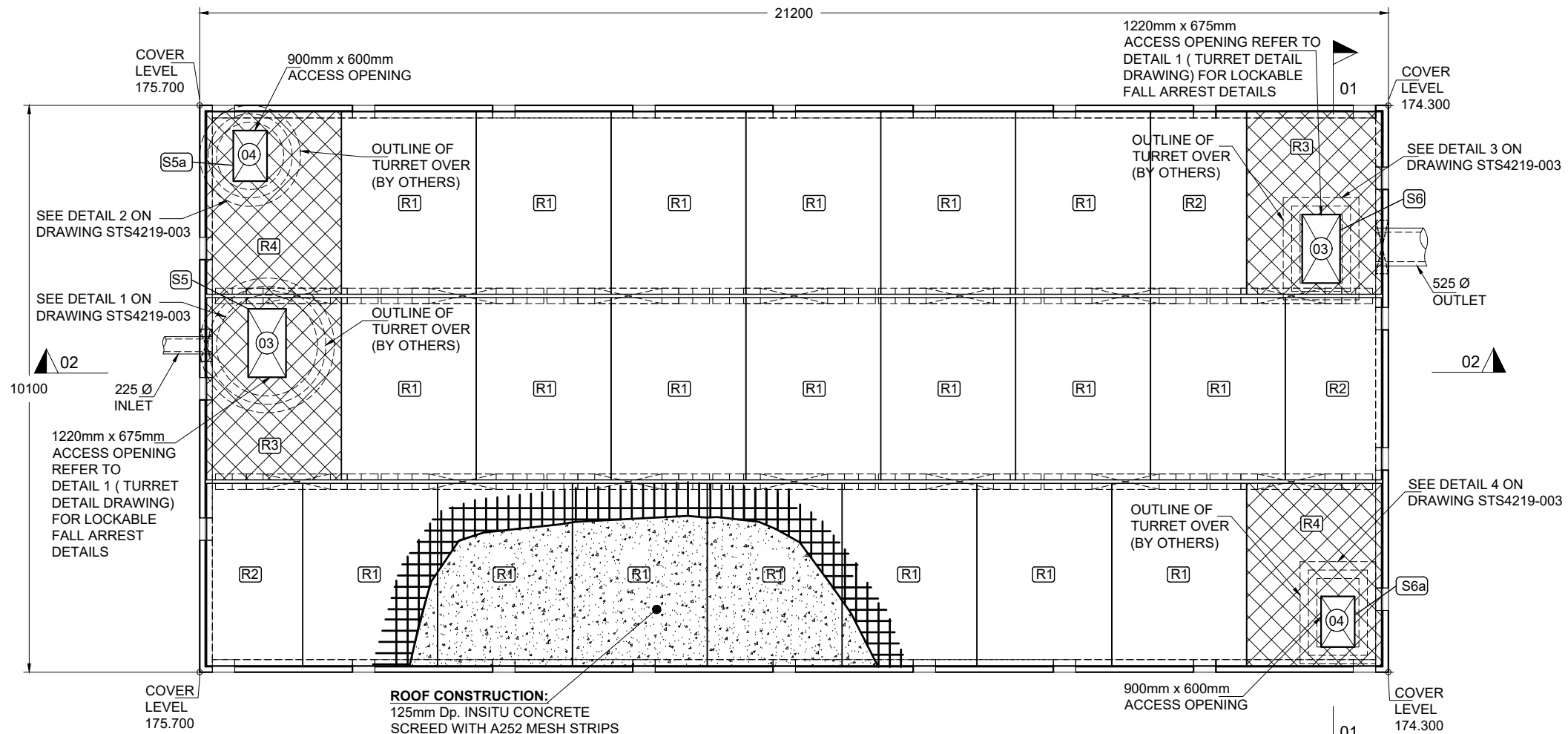
ESTIMATED MORTAR REQUIRED	
M12 MORTAR	0.3m³
ESTIMATED VOLUMES INCLUDE A 5% ALLOWANCE FOR SITE DEVIATION	

<b>Drawn By:</b> TH	<b>Rev.</b>	<b>Date.</b>	<b>Comments.</b>
<b>Chkd By:</b> PL	A	30-10-25	INVERT AND SURFACE LEVELS REVISED
<b>Date:</b> 05-06-25	B	04-11-25	PLAN DIMENSIONS REVISED. EXTRA LINE OF INTERNAL WALLS ADDED
<b>Drg No.:</b> STS4219-002	C	06-11-25	TURRET DETAILS ADDED

**DRAWING TITLE:** NEWETT HOMES  
YEW TREE ROAD, BIRCHENCLIFFE  
2.0m DEEP ATTENUATION TANK  
ROOF LAYOUT

ALL ADOPTABLE SEWER WORKS AND MATERIAL TO BE IN ACCORDANCE WITH SEWERAGE SECTOR GUIDANCE DESIGN AND CONSTRUCTION GUIDANCE [CODE FOR ADOPTION]. THE RELEVANT BRITISH/EUROPEAN AND YORKSHIRE WATER'S STANDARDS/REQUIREMENTS/LOCAL PRACTICE FOR THE ADOPTION OF SMALL SUBMERSIBLE FOUL AND SURFACE WATER PUMPING STATIONS AND KITEMARKED

**ISSUED FOR APPROVAL**



**ROOF PLAN:**  
Scale: 1:100

**ROOF CONSTRUCTION:**  
125mm Dp. INSITU CONCRETE SCREED WITH A252 MESH STRIPS ON 125mm Dp. SOLID PRESTRESSED SLAB (STANDARD PRESTRESSED SLAB TO BE REINFORCED USING 18No. 9.3mm Ø + 5No 12.5mm Ø Y1860S7 STRANDS PER 2.4m WIDE PLANK )

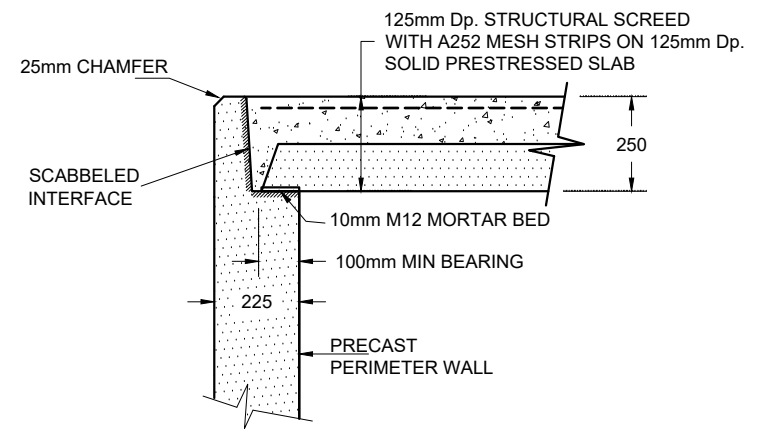
**NOTE:**  
10mm M12 MORTAR BED TO BE PLACED BENEATH ALL ROOF SLABS

**NOTE:**  
RISER SHAFTS AND COVERS (BY OTHERS)

KEY TO ROOF SLAB TYPES						
UNIT	DESCRIPTION	WIDTH	LENGTH	DEPTH	WEIGHT	QUANTITY
R1	SOLID PRESTRESSED SLAB	2.400m	3.250m	125mm	2.29t	20
R2	NARROW SOLID PRESTRESSED SLAB	1.710m	3.250m	125mm	1.63t	3
R3	CUSTOM SLAB WITH OPENING	2.400m	3.250m	150mm	2.56t	2
R4	CUSTOM SLAB WITH OPENING	2.400m	3.250m	150mm	2.67t	2

**NOTE:** STANDARD PRESTRESSED SLAB TO BE REINFORCED USING 18No. 9.3mm Ø + 5No 12.5mm Ø Y1860S7 STRANDS PER 2.4m WIDE PLANK

KEY TO ROOF OPENING TYPES		
QUANTITY	DESCRIPTION	
03	2	1220mm x 675mm ROOF OPENING
04	2	900mm x 600mm ROOF OPENING



**PERIMETER WALL - TOP OF WALL DETAIL:**  
SCALE: 1:20

Drawn By:	TH	Rev.	Date.	Comments.
Chkd By:	PL	A	30-10-25	INVERT AND SURFACE LEVELS REVISED
Date:	05-06-25	B	04-11-25	PLAN DIMENSIONS REVISED. EXTRA LINE OF INTERNAL WALLS ADDED
Drg No.:	STS4219-003	C	06-11-25	TURRET DETAILS ADDED

**DRAWING TITLE:** NEWETT HOMES  
YEW TREE ROAD, BIRCHENCLIFFE  
2.0m DEEP ATTENUATION TANK  
ROOF OPENING PLANS

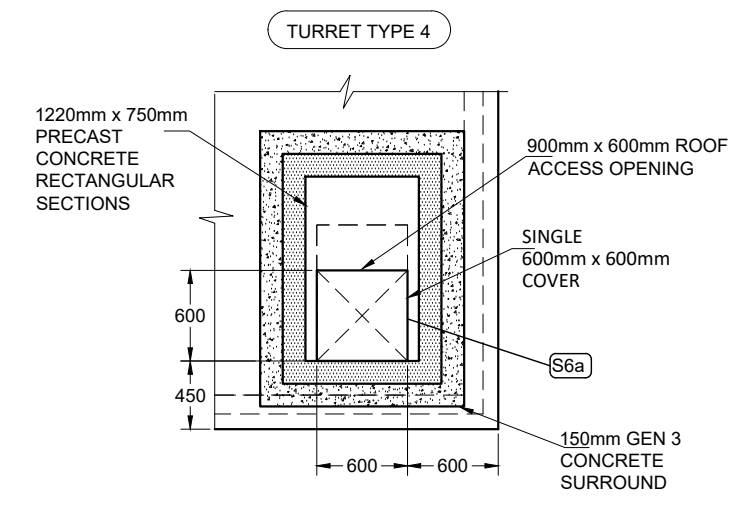
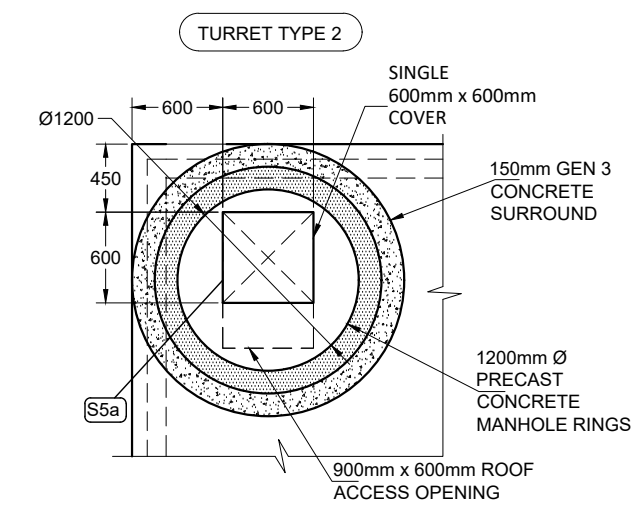
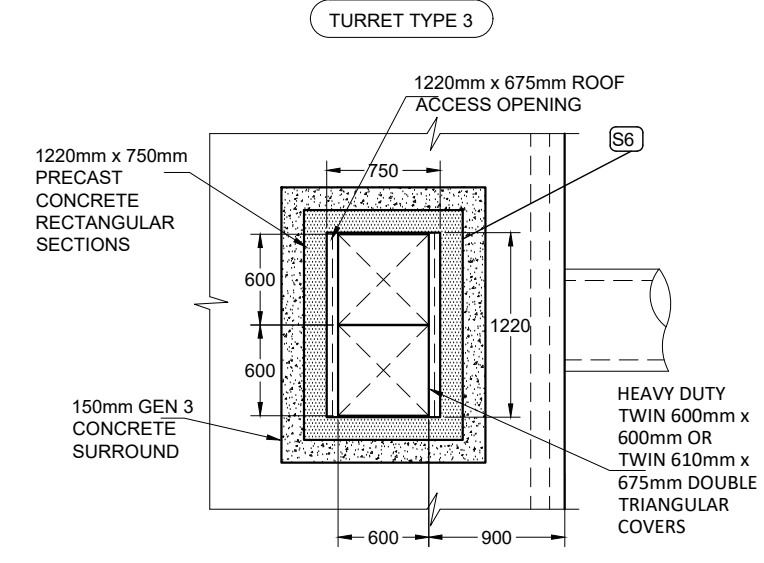
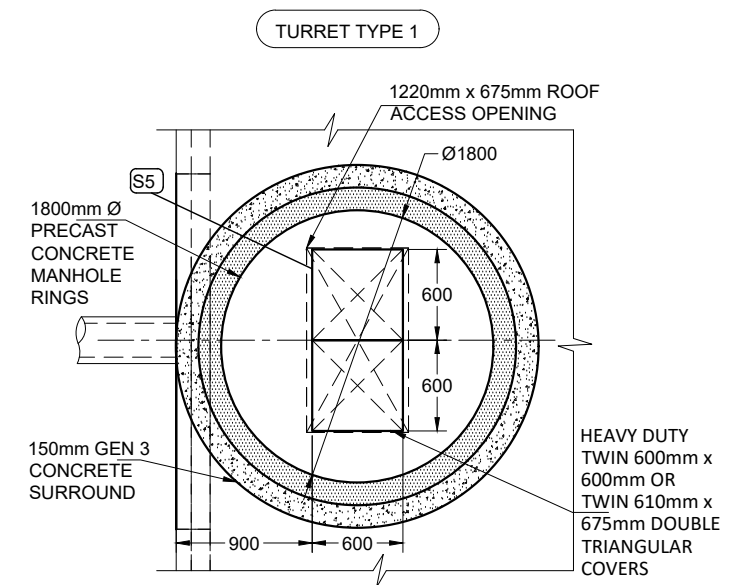
ALL ADOPTABLE SEWER WORKS AND MATERIAL TO BE IN ACCORDANCE WITH SEWERAGE SECTOR GUIDANCE DESIGN AND CONSTRUCTION GUIDANCE [CODE FOR ADOPTION]. THE RELEVANT BRITISH/EUROPEAN AND YORKSHIRE WATER'S STANDARDS/REQUIREMENTS/LOCAL PRACTICE FOR THE ADOPTION OF SMALL SUBMERSIBLE FOUL AND SURFACE WATER PUMPING STATIONS AND KITEMARKED

**NOTE:**  
CHAMBER RINGS AND RECTANGULAR SECTIONS TO THE CARLOW TANK MUST NOT OVERHANG THE CARLOW TANK ROOF SLAB

**NOTE:**  
RISER SHAFTS AND COVERS (BY OTHERS)

FOR TURRET DETAILS SEE DRAWING STS4219-008 & 009

**ISSUED FOR APPROVAL**

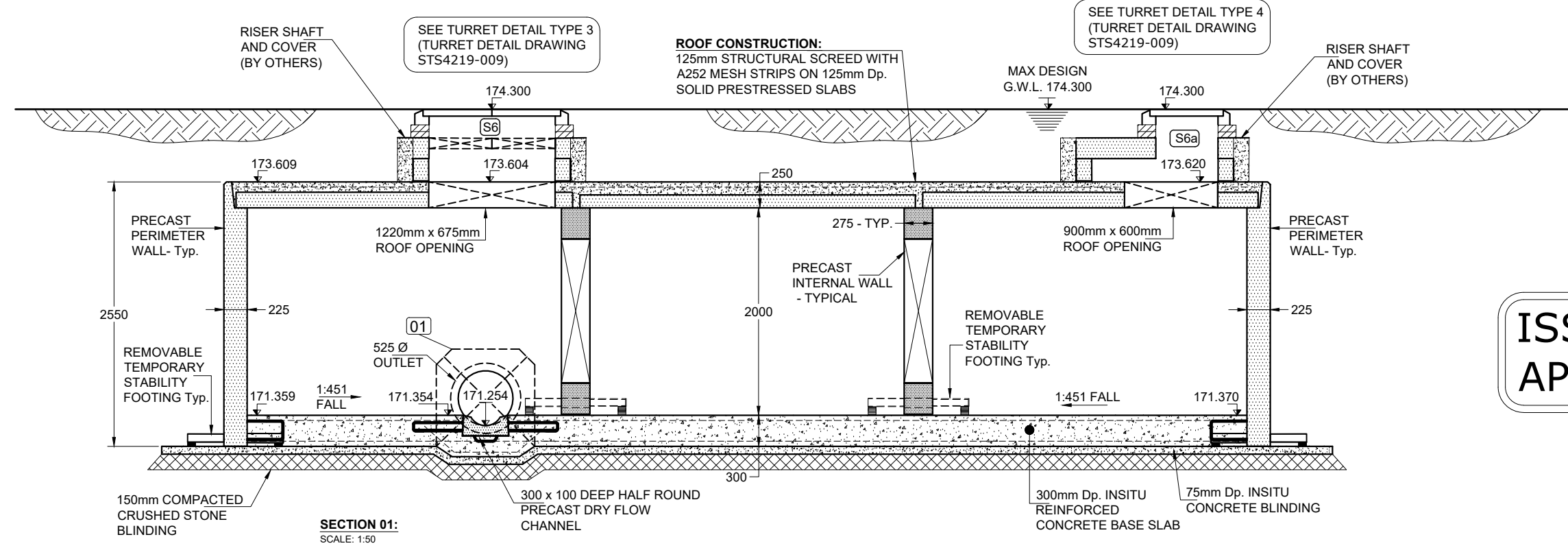


**TYPICAL ROOF TURRET PLAN:**  
Scale: 1:50

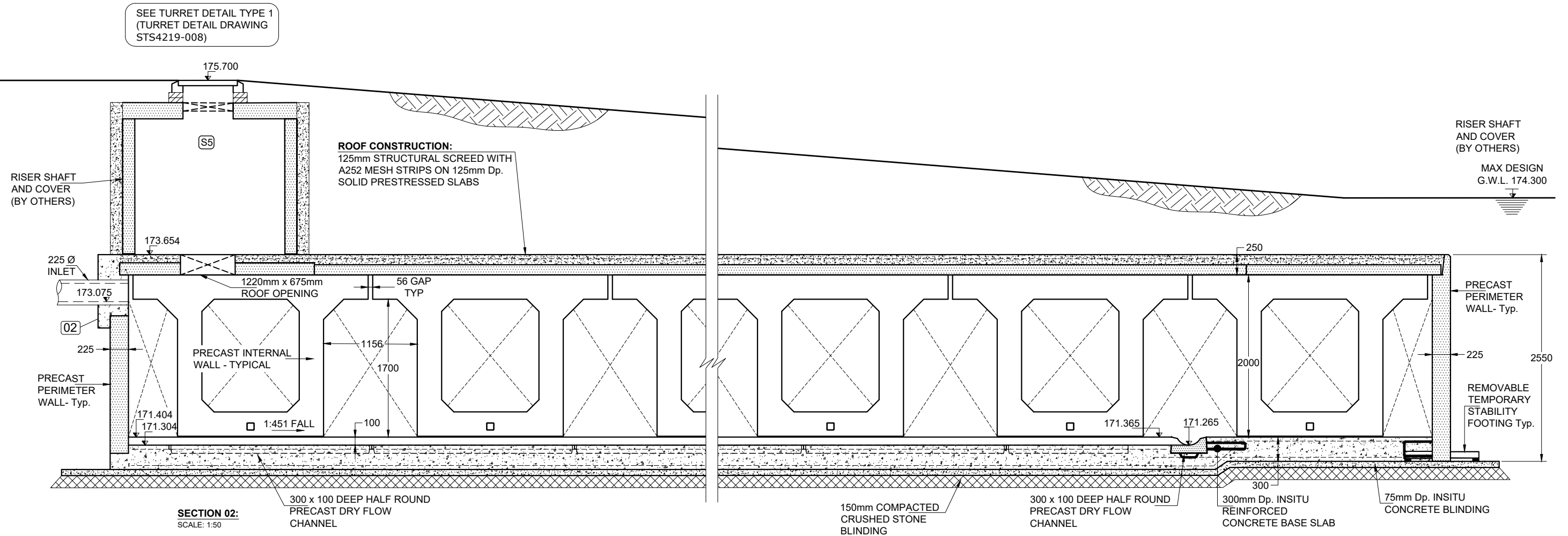
Drawn By:	Rev.	Date.	Comments.
TH			
Chkd By: PL	A	30-10-25	INVERT AND SURFACE LEVELS REVISED
Date: 05-06-25	B	04-11-25	PLAN DIMENSIONS REVISED. EXTRA LINE OF INTERNAL WALLS ADDED
Drng No.: STS4219-004	C	06-11-25	TURRET DETAILS ADDED

**DRAWING TITLE:** NEWETT HOMES  
YEW TREE ROAD, BIRCHENCLIFFE  
2.0m DEEP ATTENUATION TANK  
SECTIONS SHEET 1

ALL ADOPTABLE SEWER WORKS AND MATERIAL TO BE IN ACCORDANCE WITH SEWERAGE SECTOR GUIDANCE DESIGN AND CONSTRUCTION GUIDANCE [CODE FOR ADOPTION], THE RELEVANT BRITISH/EUROPEAN AND YORKSHIRE WATER'S STANDARDS/REQUIREMENTS/LOCAL PRACTICE FOR THE ADOPTION OF SMALL SUBMERSIBLE FOUL AND SURFACE WATER PUMPING STATIONS AND KITEMARKED



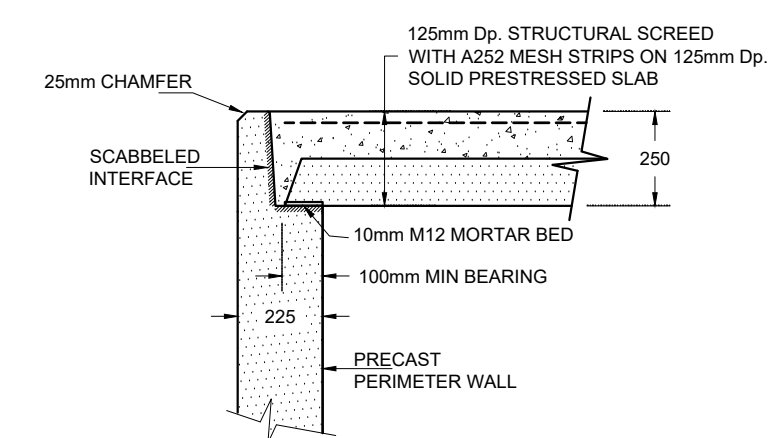
**ISSUED FOR APPROVAL**



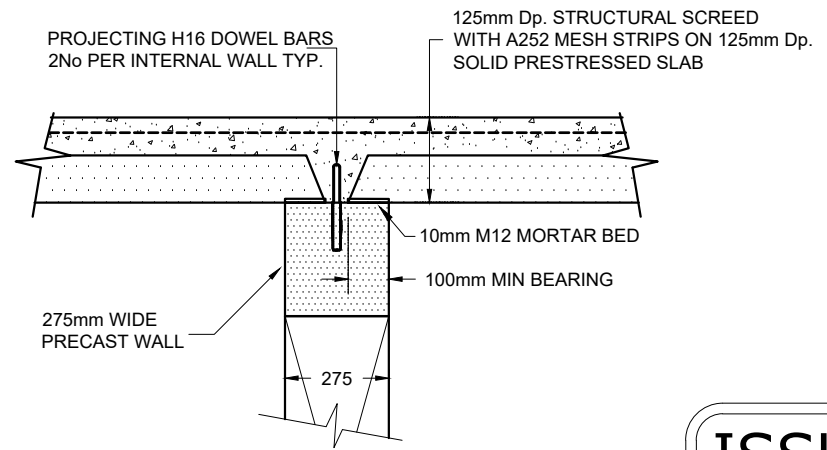
Drawn By:	TH	Rev.	Date.	Comments.
Chkd By:	PL	A	30-10-25	INVERT AND SURFACE LEVELS REVISED
Date:	05-06-25	B	04-11-25	PLAN DIMENSIONS REVISED. EXTRA LINE OF INTERNAL WALLS ADDED
Drg No.:	STS4219-005	C	06-11-25	TURRET DETAILS ADDED

**DRAWING TITLE:** NEWETT HOMES  
YEW TREE ROAD, BIRCHENCLIFFE  
2.0m DEEP ATTENUATION TANK  
DETAILS SECTIONS

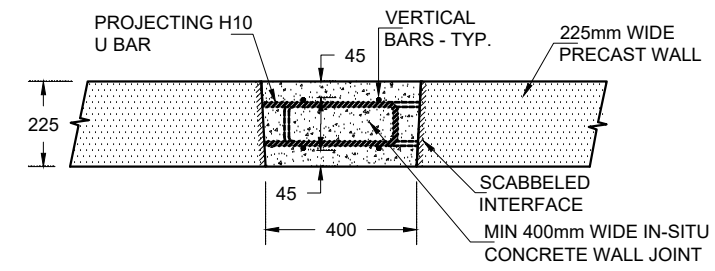
ALL ADOPTABLE SEWER WORKS AND MATERIAL TO BE IN ACCORDANCE WITH SEWERAGE SECTOR GUIDANCE DESIGN AND CONSTRUCTION GUIDANCE [CODE FOR ADOPTION]. THE RELEVANT BRITISH/EUROPEAN AND YORKSHIRE WATER'S STANDARDS/REQUIREMENTS/LOCAL PRACTICE FOR THE ADOPTION OF SMALL SUBMERSIBLE FOUL AND SURFACE WATER PUMPING STATIONS AND KITEMARKED



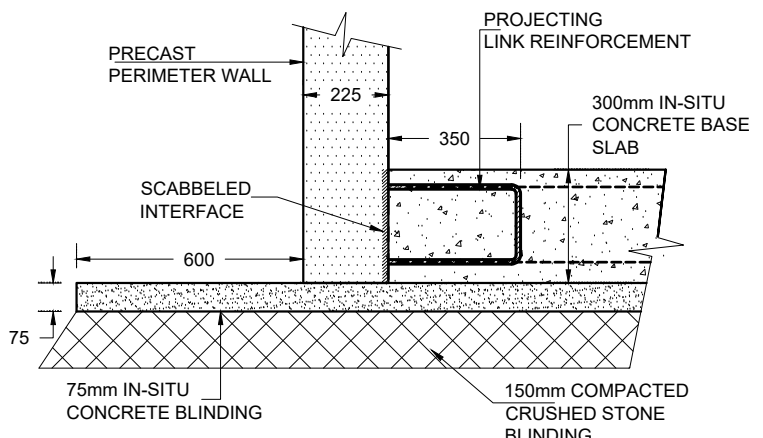
**PERIMETER WALL - TOP OF WALL DETAIL:**  
SCALE: 1:20



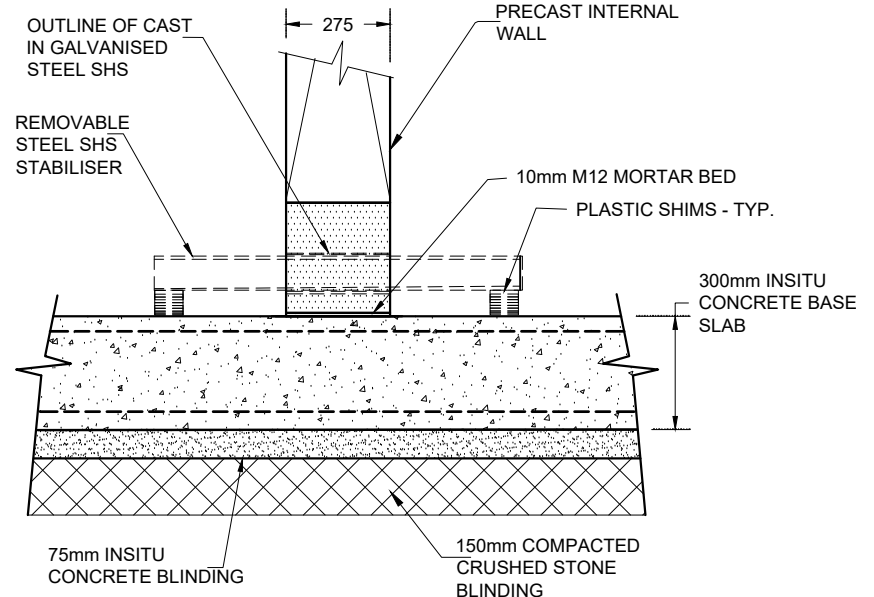
**INTERNAL WALL - TOP OF WALL DETAIL:**  
SCALE: 1:20



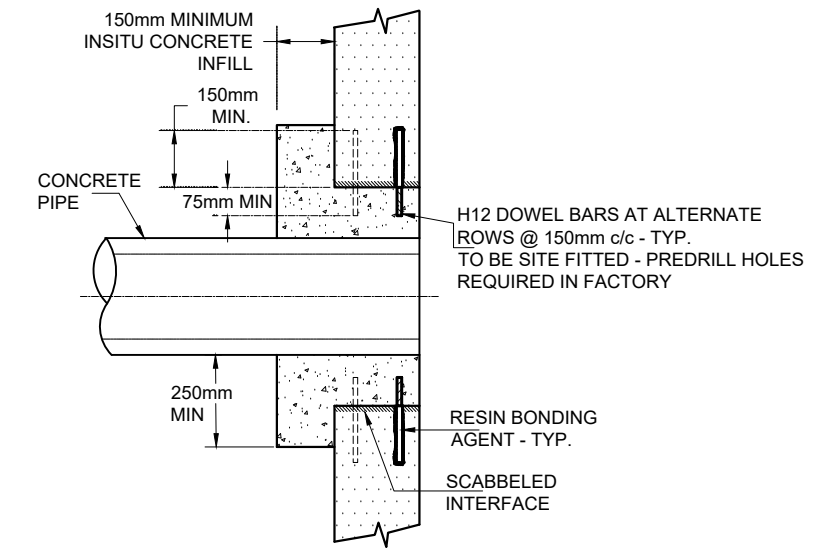
**PLAN VIEW - TYPICAL WALL JOINT DETAIL:**  
SCALE: 1:20



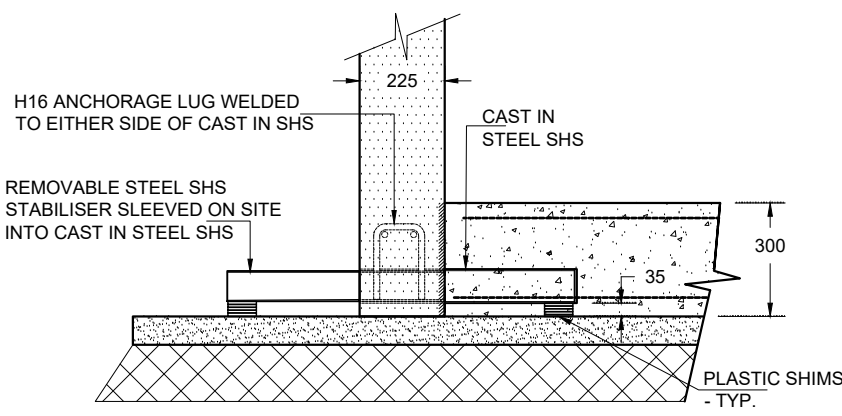
**PERIMETER WALL DETAIL:**  
SCALE: 1:20



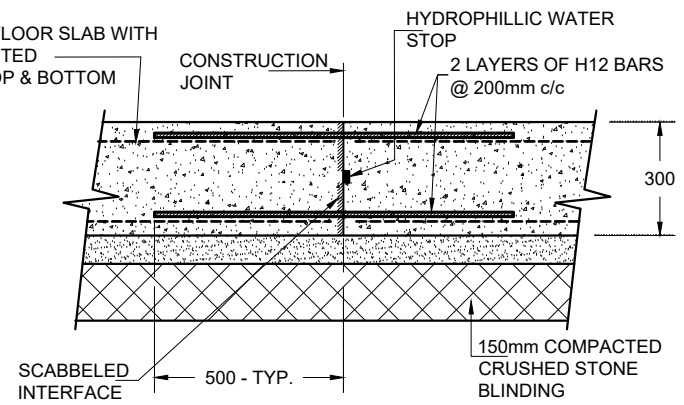
**INTERNAL WALL DETAIL:**  
SCALE: 1:20



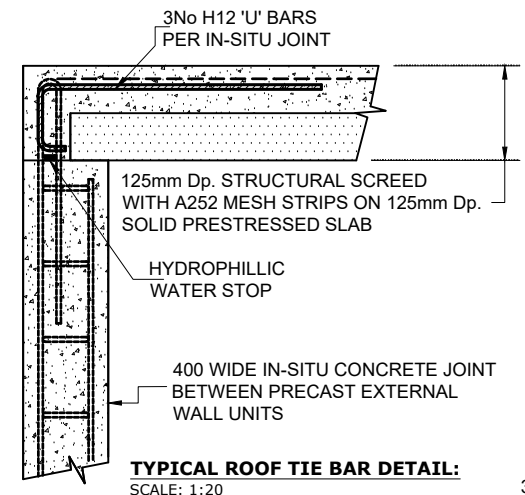
**PIPE CONNECTION SECTION**  
SCALE: 1:20



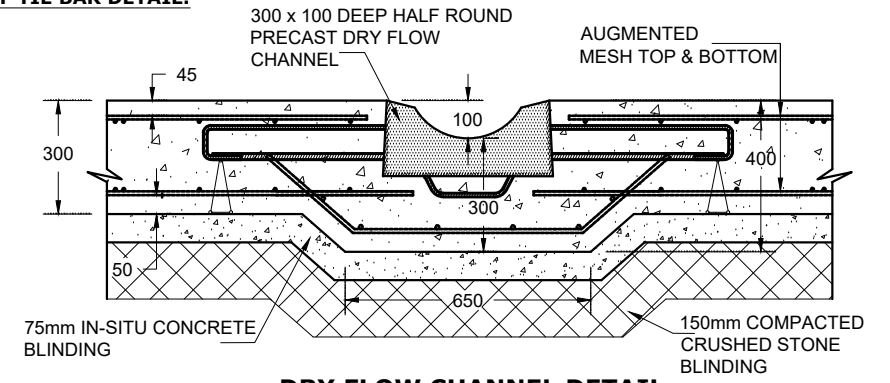
**PERIMETER WALL - TEMPORARY STABILITY FOOTING DETAIL:**  
SCALE: 1:20



**CONSTRUCTION JOINT DETAIL:**  
**(AS REQUIRED)**  
SCALE: 1:20



**TYPICAL ROOF TIE BAR DETAIL:**  
SCALE: 1:20



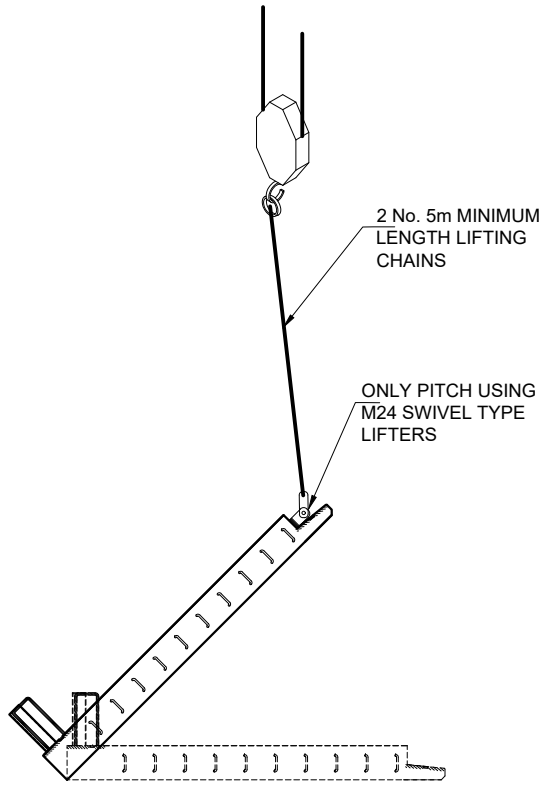
**DRY FLOW CHANNEL DETAIL:**  
SCALE: 1:20

**ISSUED FOR APPROVAL**

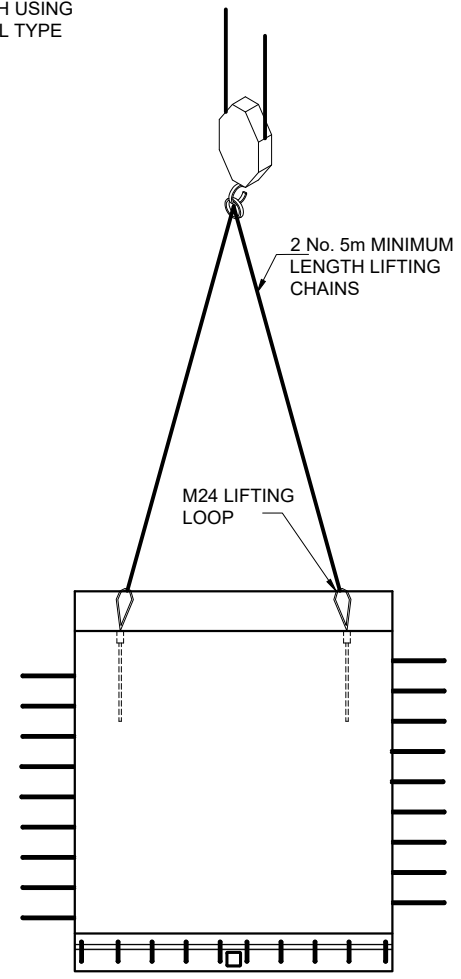
Drawn By:	TH	Rev.	Date.	Comments.
Chkd By:	PL	A	30-10-25	INVERT AND SURFACE LEVELS REVISED
Date:	05-06-25	B	04-11-25	PLAN DIMENSIONS REVISED. EXTRA LINE OF INTERNAL WALLS ADDED
Drg No.:	STS4219-006	C	06-11-25	TURRET DETAILS ADDED

**DRAWING TITLE:** NEWETT HOMES  
YEW TREE ROAD, BIRCHENCLIFFE  
2.0m DEEP ATTENUATION TANK  
LIFTING DETAILS

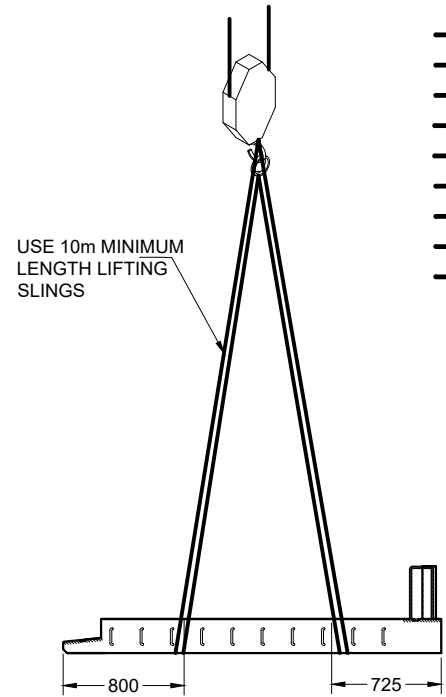
ALL ADOPTABLE SEWER WORKS AND MATERIAL TO BE IN ACCORDANCE WITH SEWERAGE SECTOR GUIDANCE DESIGN AND CONSTRUCTION GUIDANCE [CODE FOR ADOPTION]. THE RELEVANT BRITISH/EUROPEAN AND YORKSHIRE WATER'S STANDARDS/REQUIREMENTS/LOCAL PRACTICE FOR THE ADOPTION OF SMALL SUBMERSIBLE FOUL AND SURFACE WATER PUMPING STATIONS AND KITEMARKED



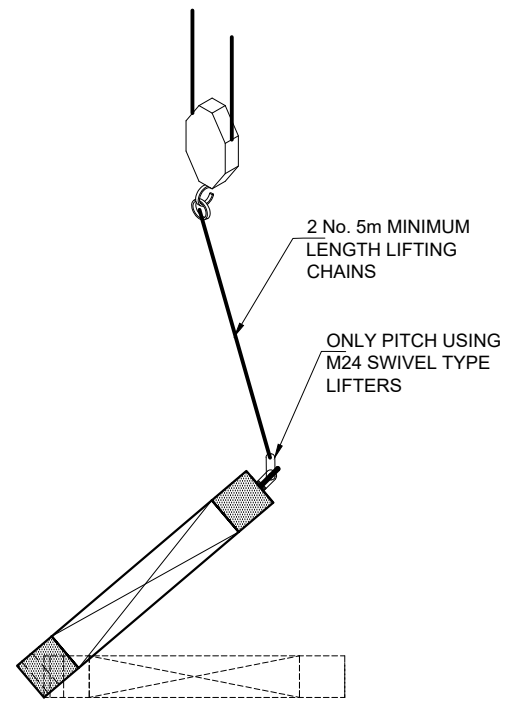
**EXTERNAL WALL LIFTING ARRANGEMENT - PITCHING UNIT:**



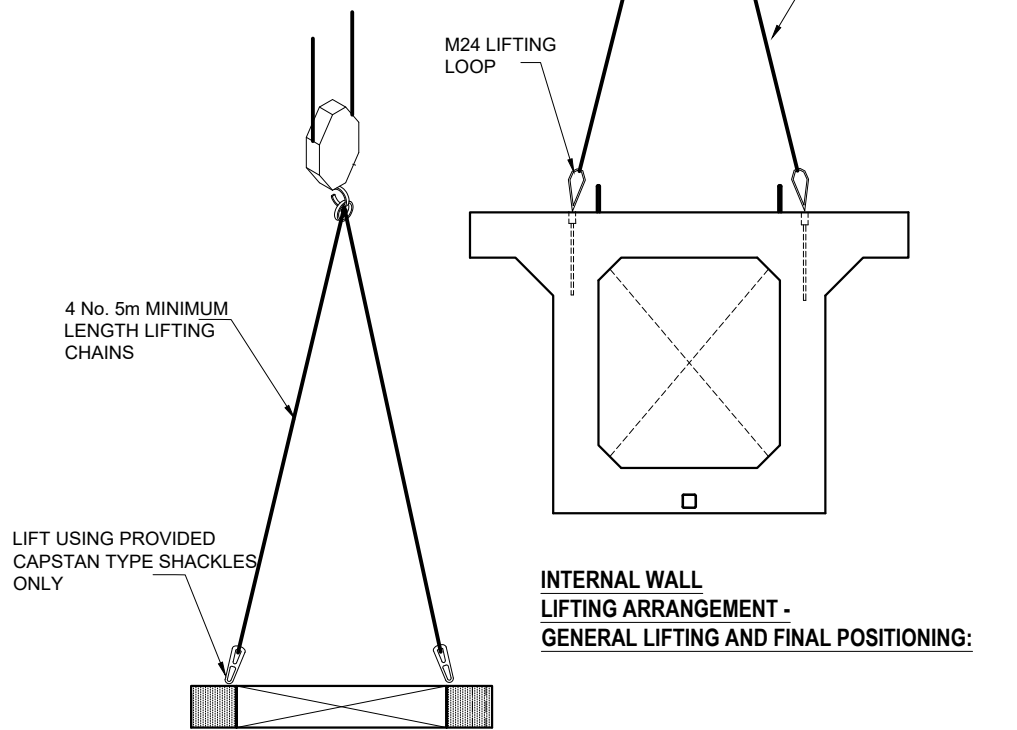
**EXTERNAL WALL LIFTING ARRANGEMENT - GENERAL LIFTING AND FINAL POSITIONING:**



**EXTERNAL WALL LIFTING ARRANGEMENT - HORIZONTAL LIFTING:**



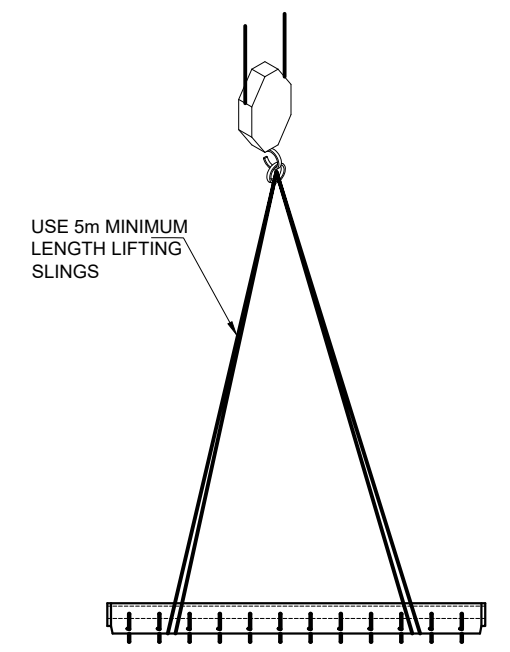
**INTERNAL WALL LIFTING ARRANGEMENT - PITCHING UNIT:**



**INTERNAL WALL LIFTING ARRANGEMENT - GENERAL LIFTING AND FINAL POSITIONING:**

**INTERNAL WALL LIFTING ARRANGEMENT - HORIZONTAL LIFTING:**

**ISSUED FOR APPROVAL**

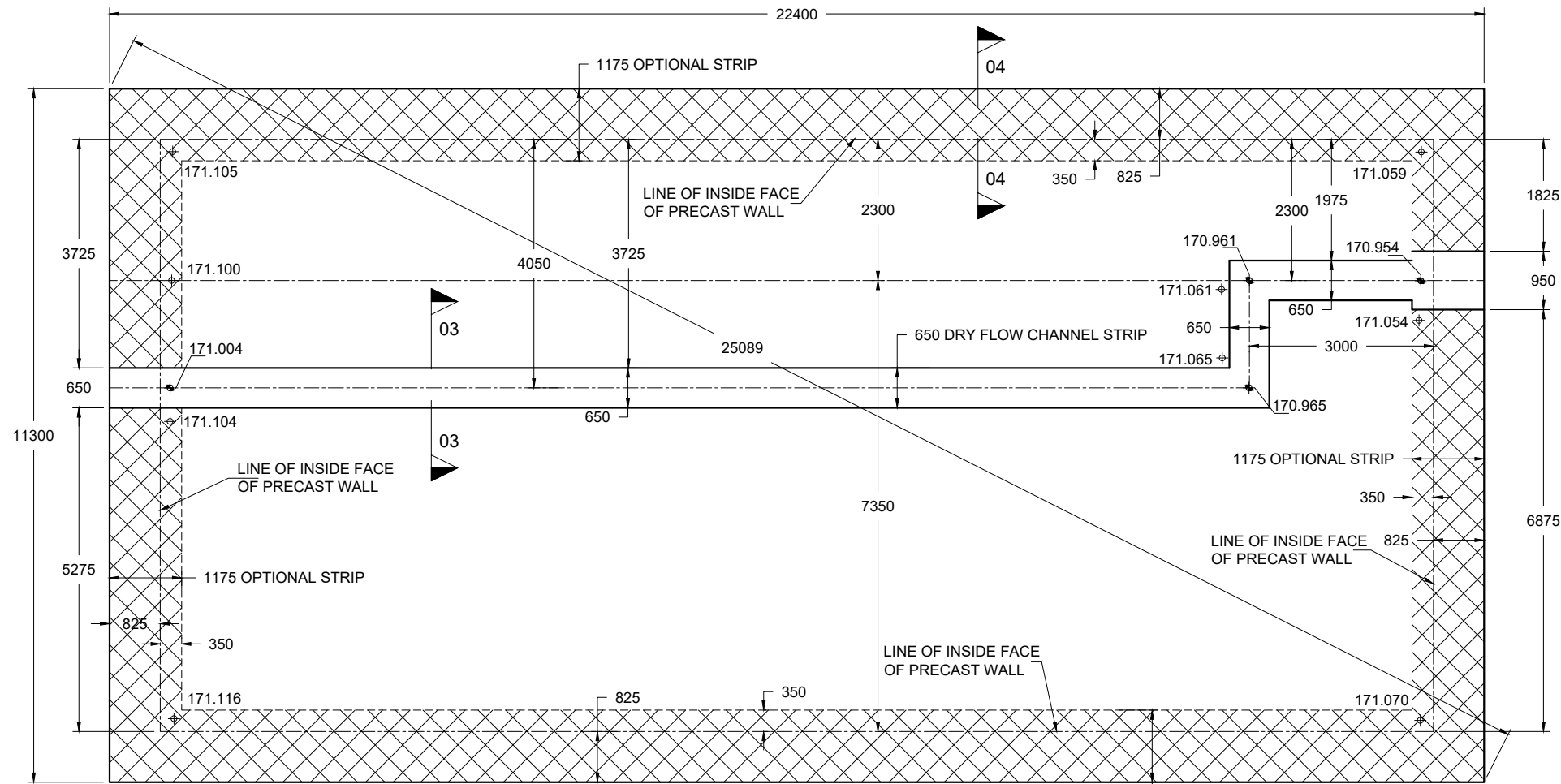


**PRECAST DRY FLOW CHANNEL LIFTING ARRANGEMENT - GENERAL LIFTING AND FINAL POSITIONING:**

Drawn By:	TH	Rev.	Date.	Comments.
Chkd By:	PL	A	30-10-25	INVERT AND SURFACE LEVELS REVISED
Date:	05-06-25	B	04-11-25	PLAN DIMENSIONS REVISED. EXTRA LINE OF INTERNAL WALLS ADDED
Drg No.:	STS4219-007	C	06-11-25	TURRET DETAILS ADDED

ALL ADOPTABLE SEWER WORKS AND MATERIAL TO BE IN ACCORDANCE WITH SEWERAGE SECTOR GUIDANCE DESIGN AND CONSTRUCTION GUIDANCE [CODE FOR ADOPTION]. THE RELEVANT BRITISH/EUROPEAN AND YORKSHIRE WATER'S STANDARDS/REQUIREMENTS/LOCAL PRACTICE FOR THE ADOPTION OF SMALL SUBMERSIBLE FOUL AND SURFACE WATER PUMPING STATIONS AND KITEMARKED

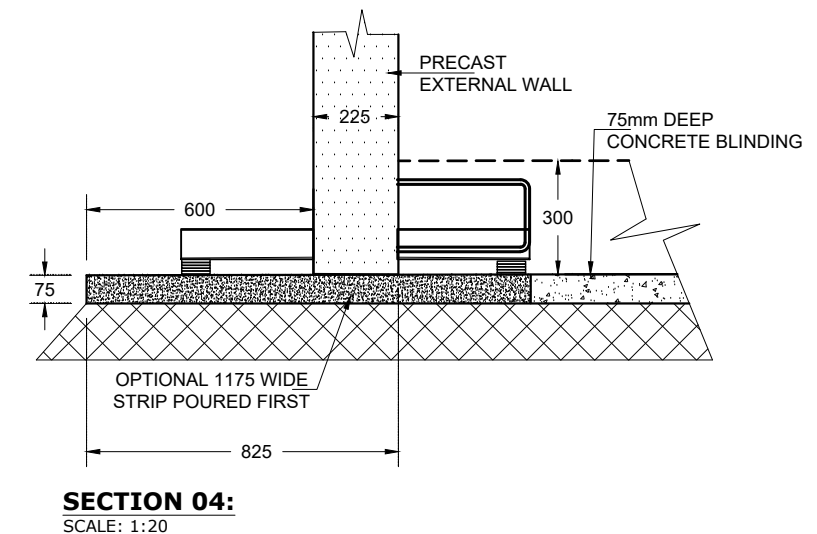
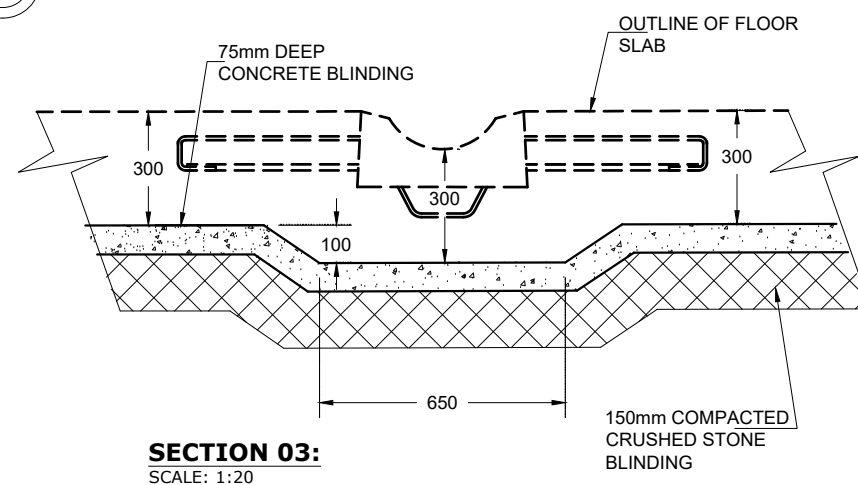
**DRAWING TITLE:** NEWETT HOMES  
YEW TREE ROAD, BIRCHENCLIFFE  
2.0m DEEP ATTENUATION TANK  
BLINDING LAYOUT



**BLINDING SETTING OUT PLAN:**  
Scale: 1:100

**NOTE:**  
ALL LEVELS ARE TOP OF BLINDING LAYER LEVEL

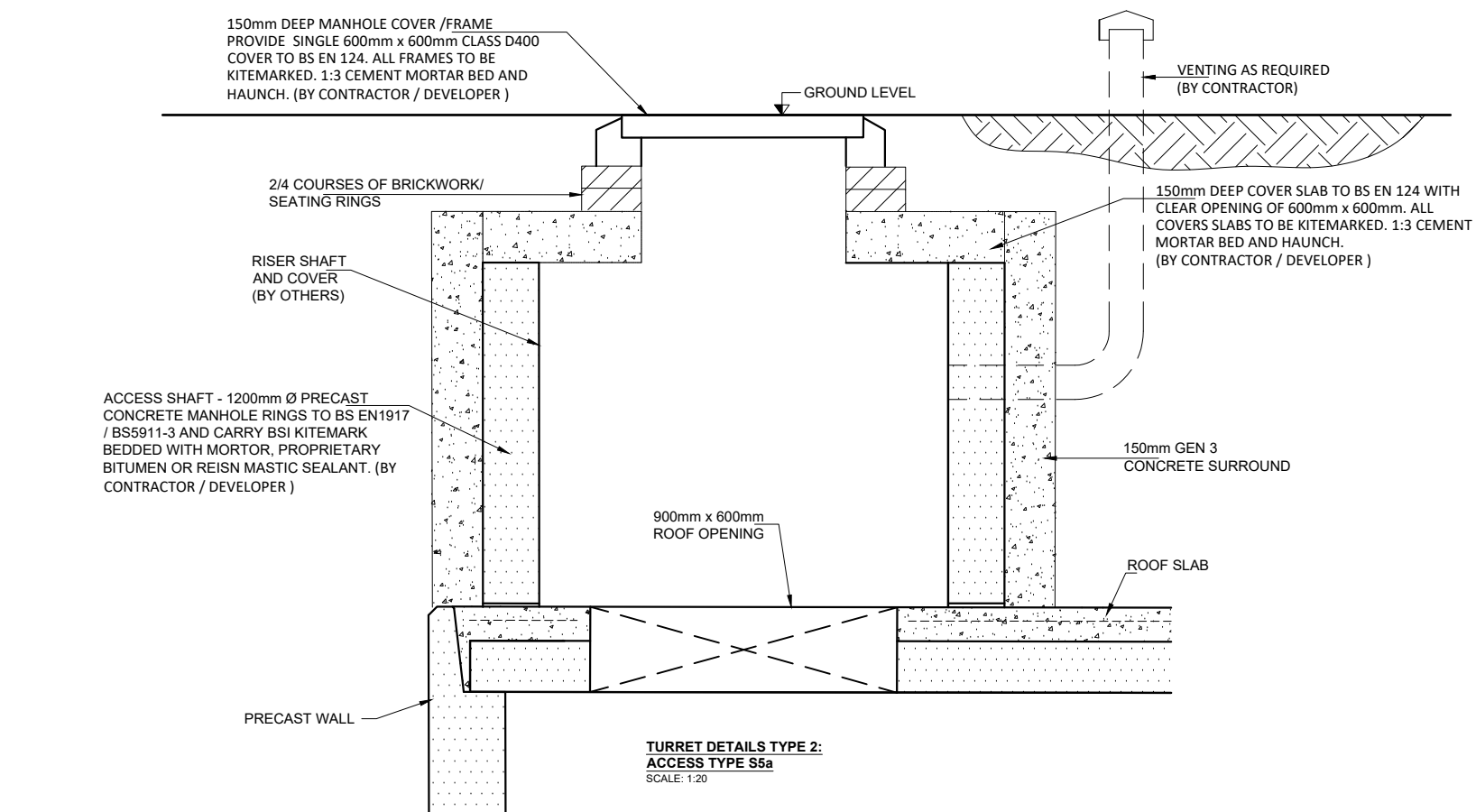
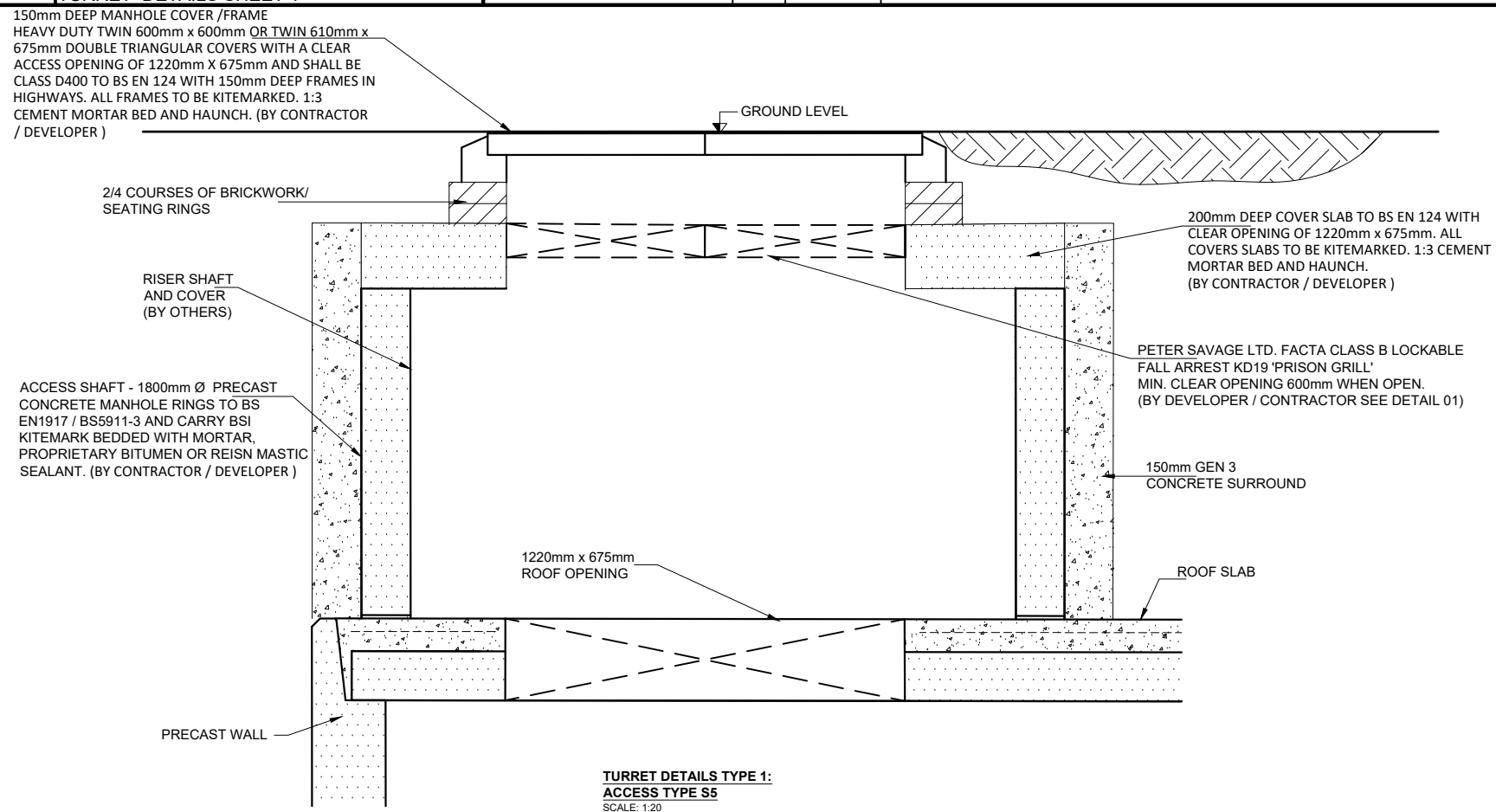
**ISSUED FOR APPROVAL**



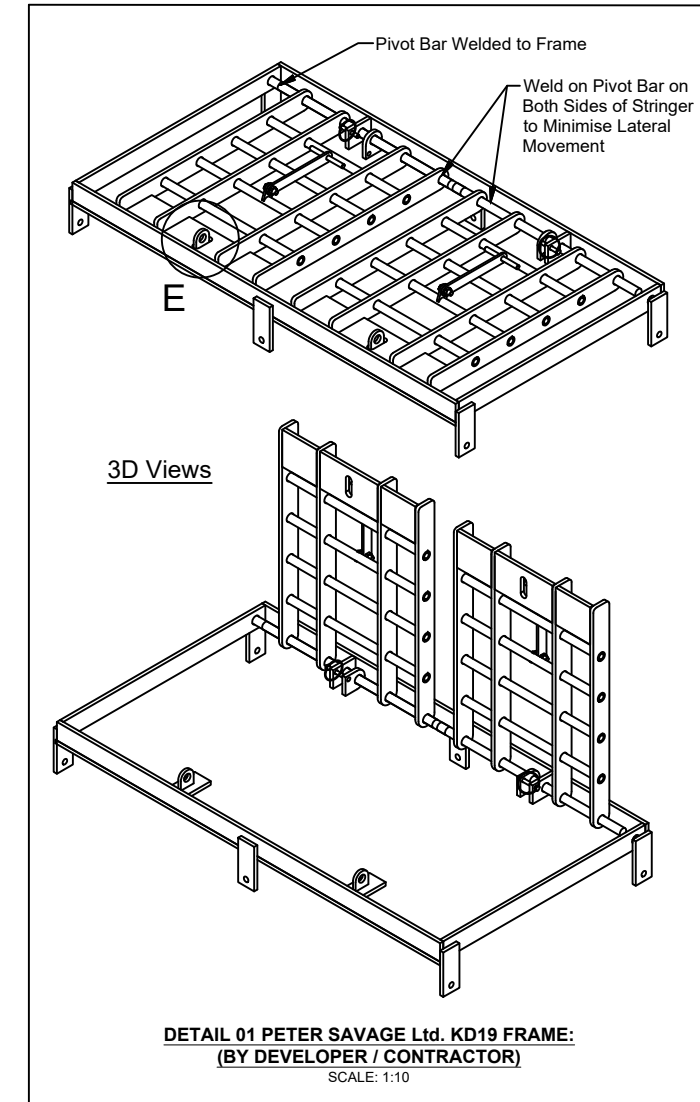
Drawn By:	TH	Rev.	Date.	Comments.
Chkd By:	PL	A	30-10-25	INVERT AND SURFACE LEVELS REVISED
Date:	05-06-25	B	04-11-25	PLAN DIMENSIONS REVISED. EXTRA LINE OF INTERNAL WALLS ADDED
Drg No.:	STS4219-008	C	06-11-25	TURRET DETAILS ADDED

**DRAWING TITLE:** NEWETT HOMES  
YEW TREE ROAD, BIRCHENCLIFFE  
2.0m DEEP ATTENUATION TANK  
**TURRET DETAILS SHEET 1**

ALL ADOPTABLE SEWER WORKS AND MATERIAL TO BE IN ACCORDANCE WITH SEWERAGE SECTOR GUIDANCE DESIGN AND CONSTRUCTION GUIDANCE [CODE FOR ADOPTION]. THE RELEVANT BRITISH/EUROPEAN AND YORKSHIRE WATER'S STANDARDS/REQUIREMENTS/LOCAL PRACTICE FOR THE ADOPTION OF SMALL SUBMERSIBLE FOUL AND SURFACE WATER PUMPING STATIONS AND KITEMARKED



**ISSUED FOR APPROVAL**



Drawn By:	TH	Rev.	Date.	Comments.
Chkd By:	PL	A	30-10-25	INVERT AND SURFACE LEVELS REVISED
Date:	05-06-25	B	04-11-25	PLAN DIMENSIONS REVISED. EXTRA LINE OF INTERNAL WALLS ADDED
Drg No.:	STS4219-009	C	06-11-25	TURRET DETAILS ADDED

**DRAWING TITLE:** NEWETT HOMES  
YEW TREE ROAD, BIRCHENCLIFFE  
2.0m DEEP ATTENUATION TANK  
TURRET DETAILS SHEET 2

ALL ADOPTABLE SEWER WORKS AND MATERIAL TO BE IN ACCORDANCE WITH SEWERAGE SECTOR GUIDANCE DESIGN AND CONSTRUCTION GUIDANCE [CODE FOR ADOPTION]. THE RELEVANT BRITISH/EUROPEAN AND YORKSHIRE WATER'S STANDARDS/REQUIREMENTS/LOCAL PRACTICE FOR THE ADOPTION OF SMALL SUBMERSIBLE FOUL AND SURFACE WATER PUMPING STATIONS AND KITEMARKED

**ISSUED FOR APPROVAL**

150mm DEEP MANHOLE COVER /FRAME  
HEAVY DUTY TWIN 600mm x 600mm OR TWIN 610mm x 675mm DOUBLE TRIANGULAR COVERS WITH A CLEAR ACCESS OPENING OF 1220mm X 675mm AND SHALL BE CLASS D400 TO BS EN 124 WITH 150mm DEEP FRAMES IN HIGHWAYS. ALL FRAMES TO BE KITEMARKED. 1:3 CEMENT MORTAR BED AND HAUNCH. (BY CONTRACTOR / DEVELOPER )

2/4 COURSES OF BRICKWORK/  
SEATING RINGS

RISER SHAFT  
AND COVER  
(BY OTHERS)

ACCESS SHAFT - 1220mm x 750mm  
PRECAST CONCRETE RECTANGULAR  
SECTIONS TO BS EN1917 / BS5911-3 AND  
CARRY BSI KITEMARK BEDDED WITH MORTAR,  
PROPRIETARY BITUMEN OR REISN MASTIC  
SEALANT. (BY CONTRACTOR / DEVELOPER )

1220mm x 675mm  
ROOF OPENING

PRECAST WALL

GROUND LEVEL

200mm DEEP COVER SLAB TO BS EN 124 WITH  
CLEAR OPENING OF 1220mm x 675mm. ALL  
COVERS SLABS TO BE KITEMARKED. 1:3 CEMENT  
MORTAR BED AND HAUNCH.  
(BY CONTRACTOR / DEVELOPER )

PETER SAVAGE LTD. FACTA CLASS B LOCKABLE  
FALL ARREST KD19 'PRISON GRILL'  
MIN. CLEAR OPENING 600mm WHEN OPEN.  
(BY DEVELOPER / CONTRACTOR SEE DETAIL 01)

150mm GEN 3  
CONCRETE SURROUND

ROOF SLAB

**TURRET DETAILS TYPE 3:  
ACCESS TYPE S6**  
SCALE: 1:20

150mm DEEP MANHOLE COVER /FRAME  
PROVIDE SINGLE 600mm x 600mm CLASS D400  
COVER TO BS EN 124. ALL FRAMES TO BE  
KITEMARKED. 1:3 CEMENT MORTAR BED AND  
HAUNCH. (BY CONTRACTOR / DEVELOPER )

2/4 COURSES OF BRICKWORK/  
SEATING RINGS

RISER SHAFT  
AND COVER  
(BY OTHERS)

ACCESS SHAFT - 1220mm x 750mm  
PRECAST CONCRETE RECTANGULAR  
SECTIONS TO BS EN1917 / BS5911-3 AND  
CARRY BSI KITEMARK BEDDED WITH MORTAR,  
PROPRIETARY BITUMEN OR REISN MASTIC  
SEALANT. (BY CONTRACTOR / DEVELOPER )

900mm x 600mm  
ROOF OPENING

PRECAST WALL

GROUND LEVEL

150mm DEEP COVER SLAB TO BS EN 124 WITH  
CLEAR OPENING OF 600mm x 600mm. ALL  
COVERS SLABS TO BE KITEMARKED. 1:3 CEMENT  
MORTAR BED AND HAUNCH.  
(BY CONTRACTOR / DEVELOPER )

150mm GEN 3  
CONCRETE SURROUND

ROOF SLAB

**TURRET DETAILS TYPE 4:  
ACCESS TYPE S6a**  
SCALE: 1:20