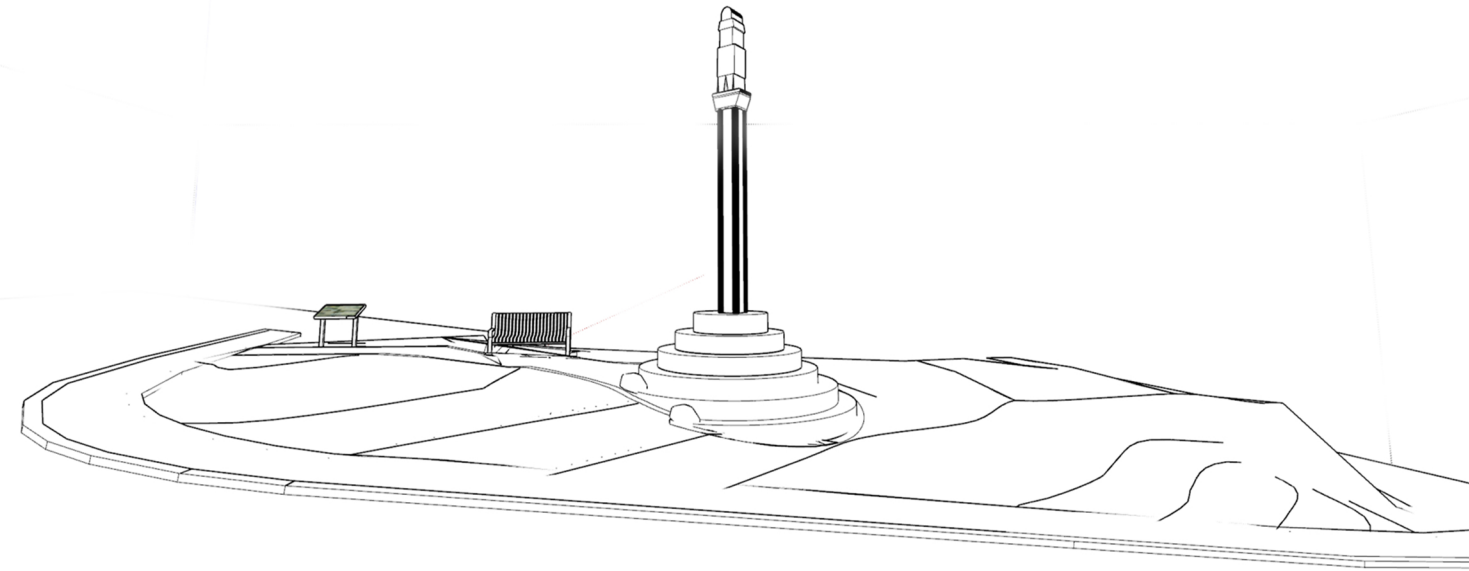
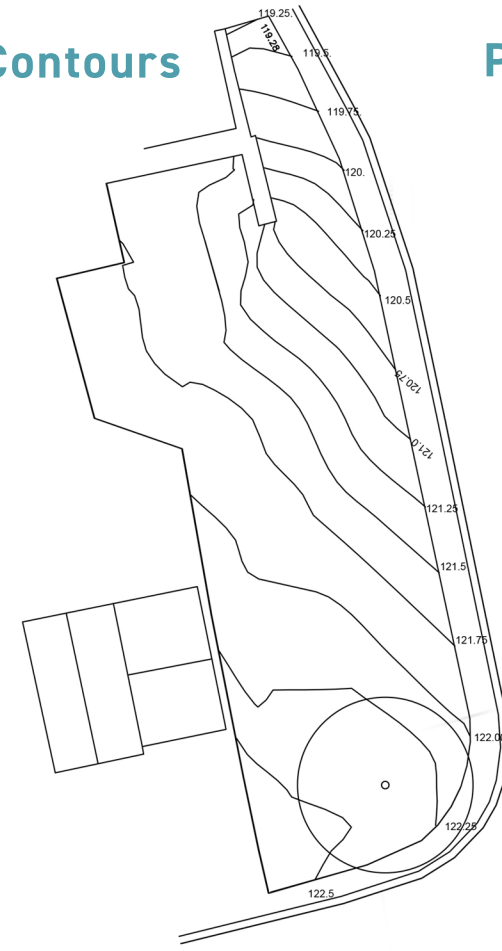


LAD699 OAKENSHAW CROSS

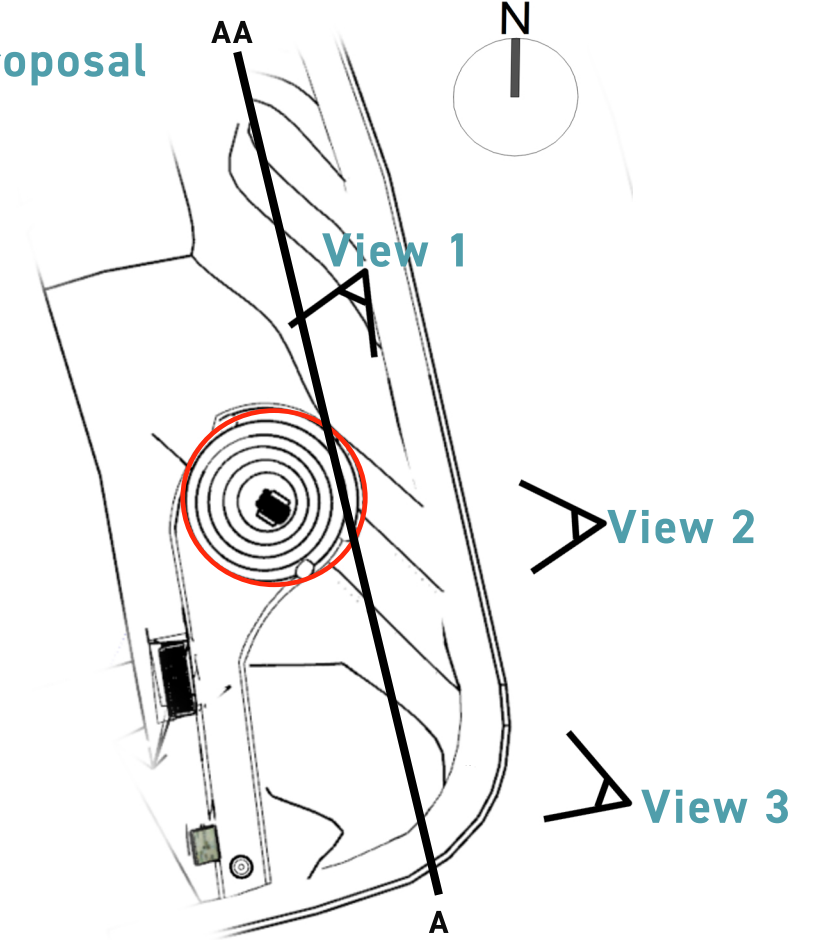
Sketch details



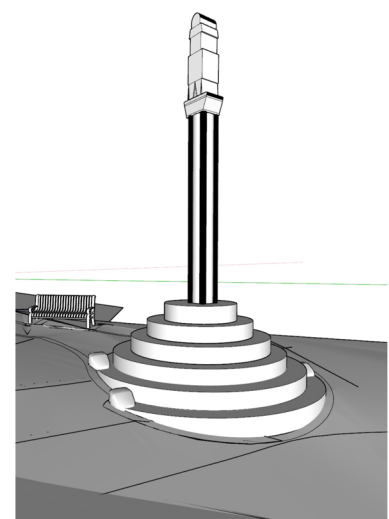
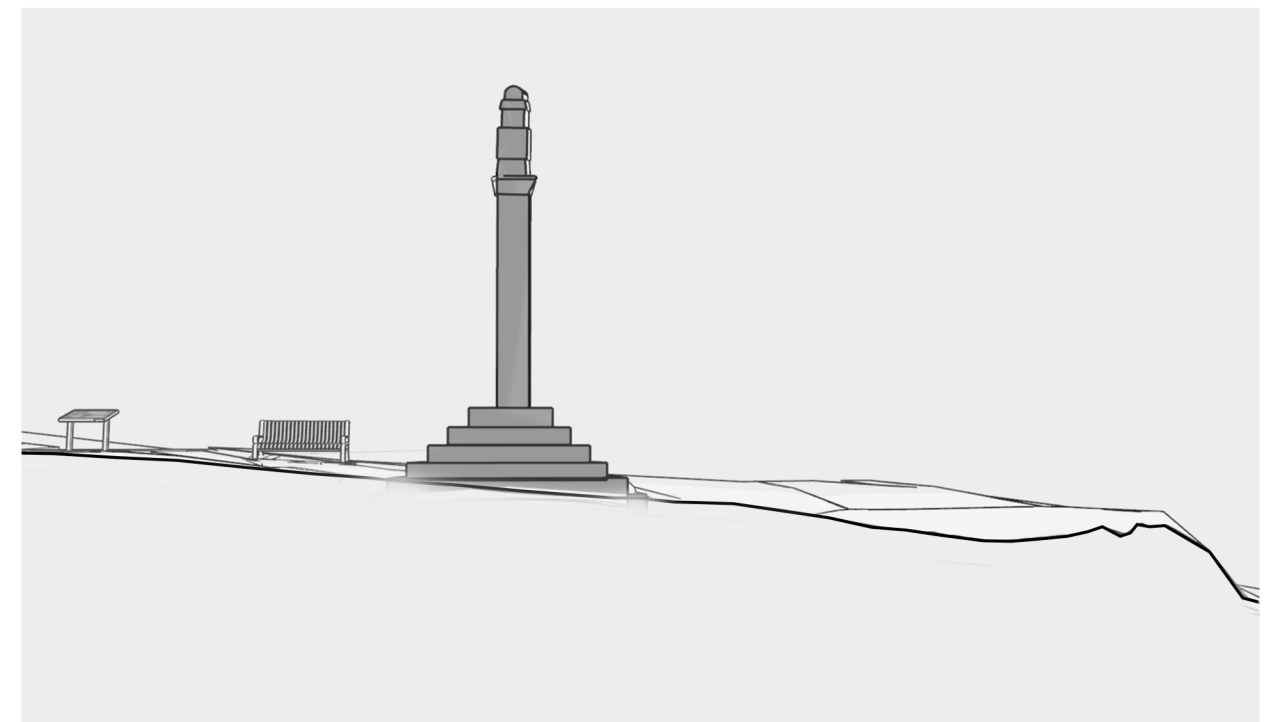
Existing Contours



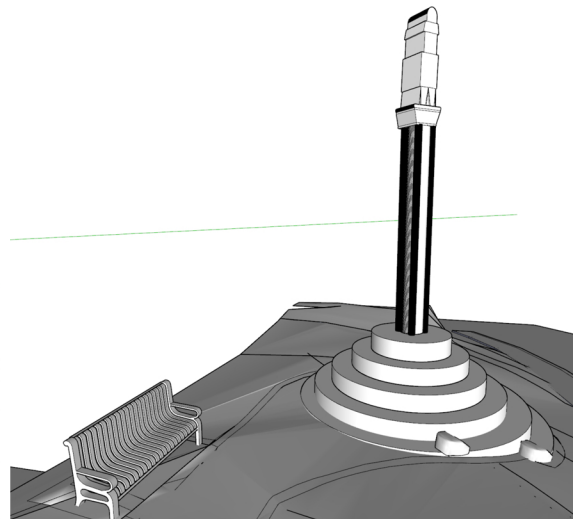
Proposal



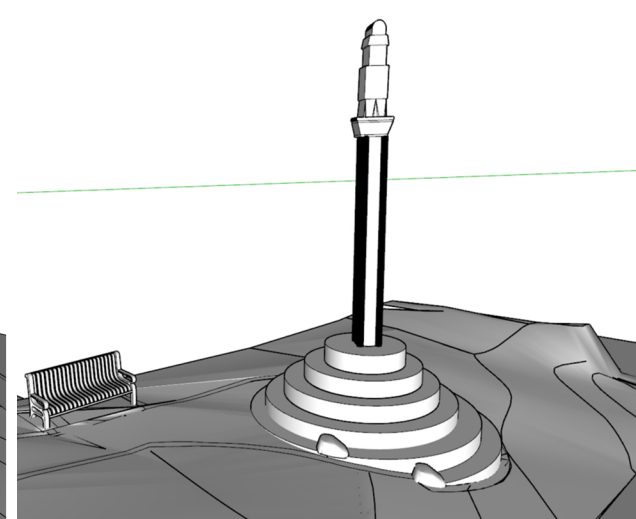
Indicative Cross-sections



View 1



View 2



View 3

Section A-AA