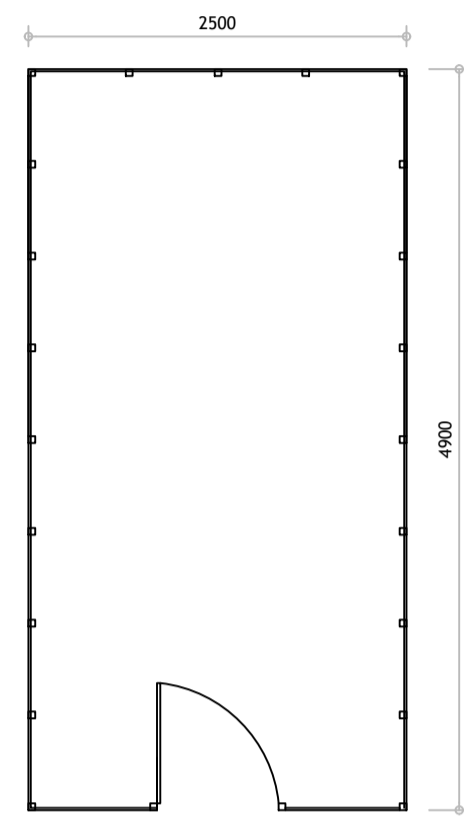


SOUTH ELEVATIONS

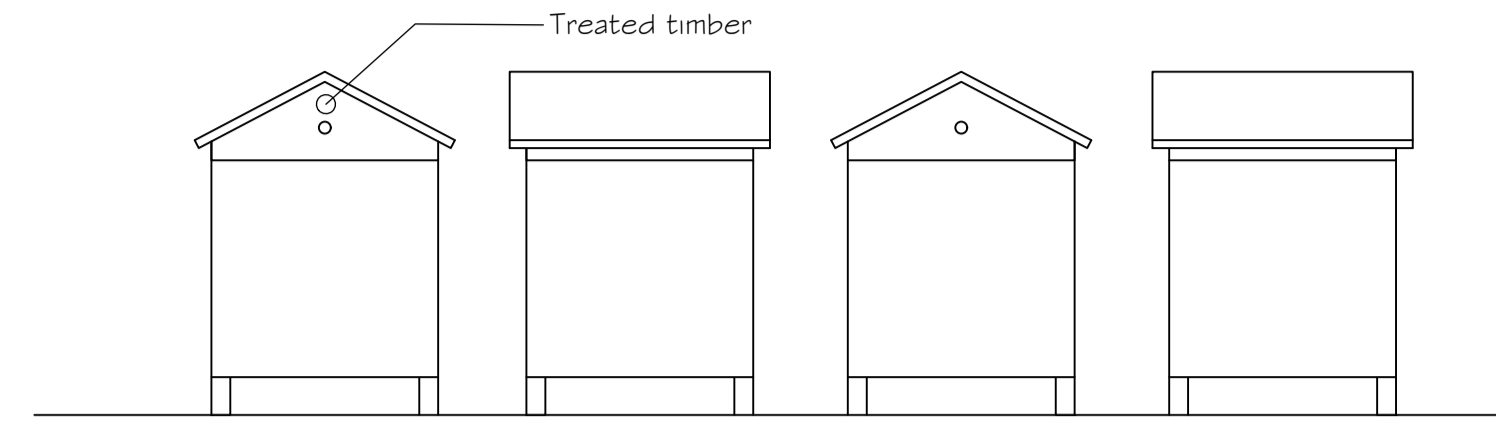
EAST

NORTH

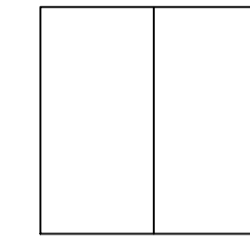
WEST



PLAN GREENHOUSE SCALE 1:50



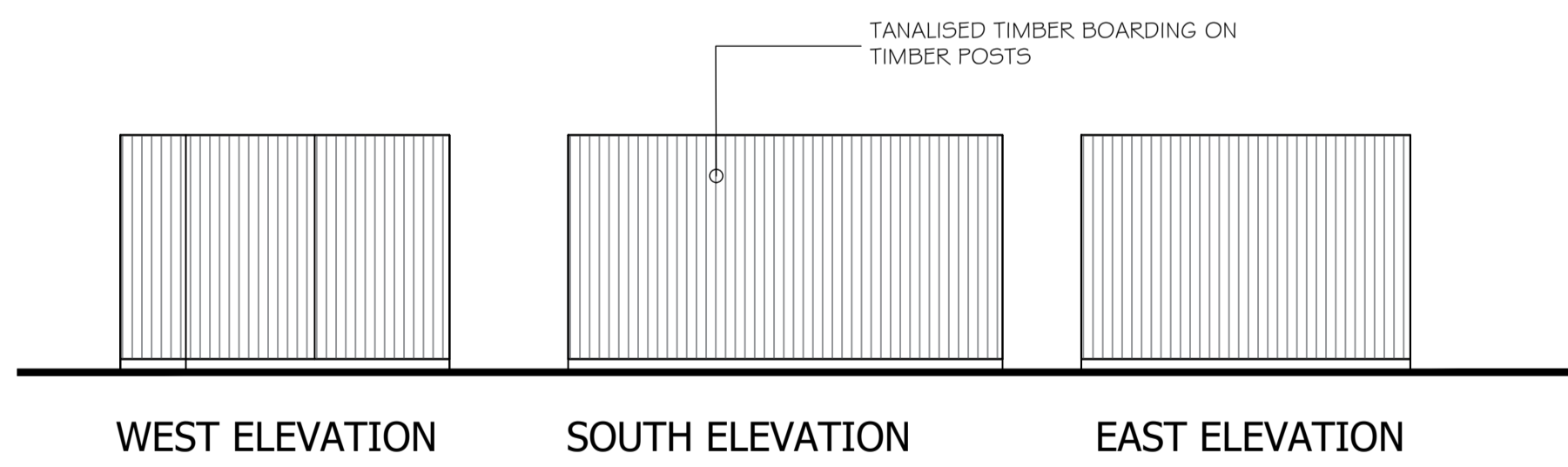
ELEVATIONS



PLAN

BEEHIVE

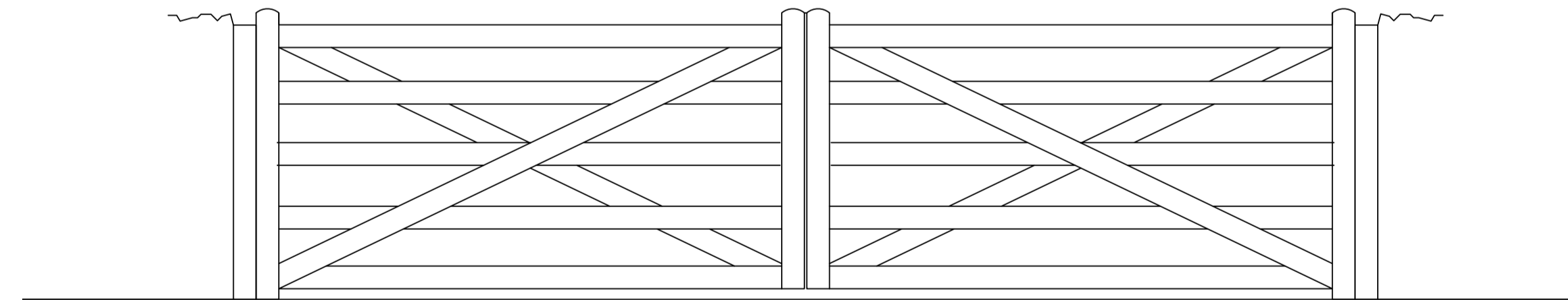
SCALE 1:20



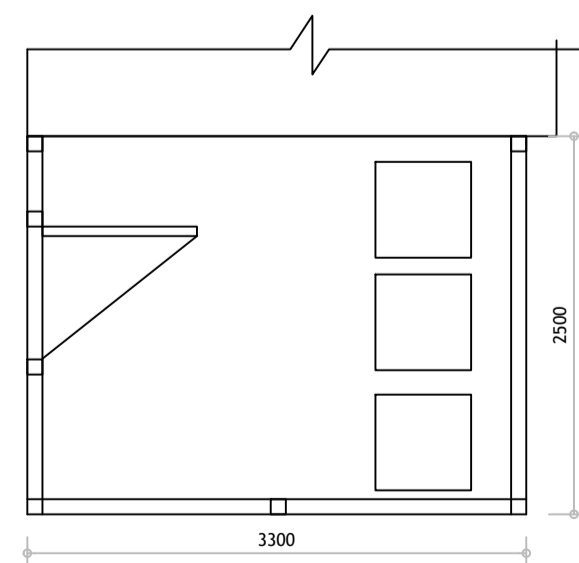
WEST ELEVATION

SOUTH ELEVATION

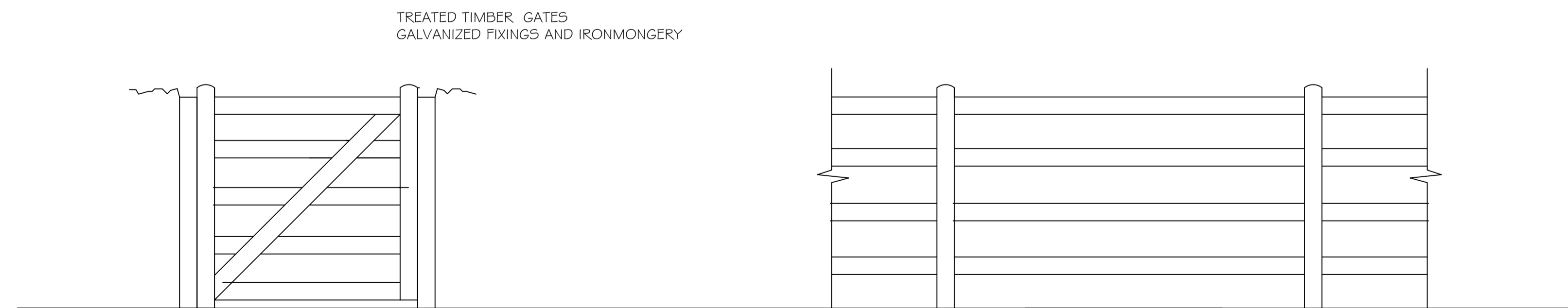
EAST ELEVATION



ENTRANCE GATES



BIN STORE FLOOR PLAN SCALE 1:50



PERSONNEL GATE

POST AND RAIL FENCE SCALE 1:20

CLIENT	SALLY MARSHALL
PROJECT TITLE	PROPOSED RURAL CRATS AND BOTHY
DRAWING TITLE	MISCELLANEOUS BOUNDARY AND CARTILAGE BUILDINGS AND FENCING
SCALE	AS SHOWN
DRAWING NO.	03
REV.	00