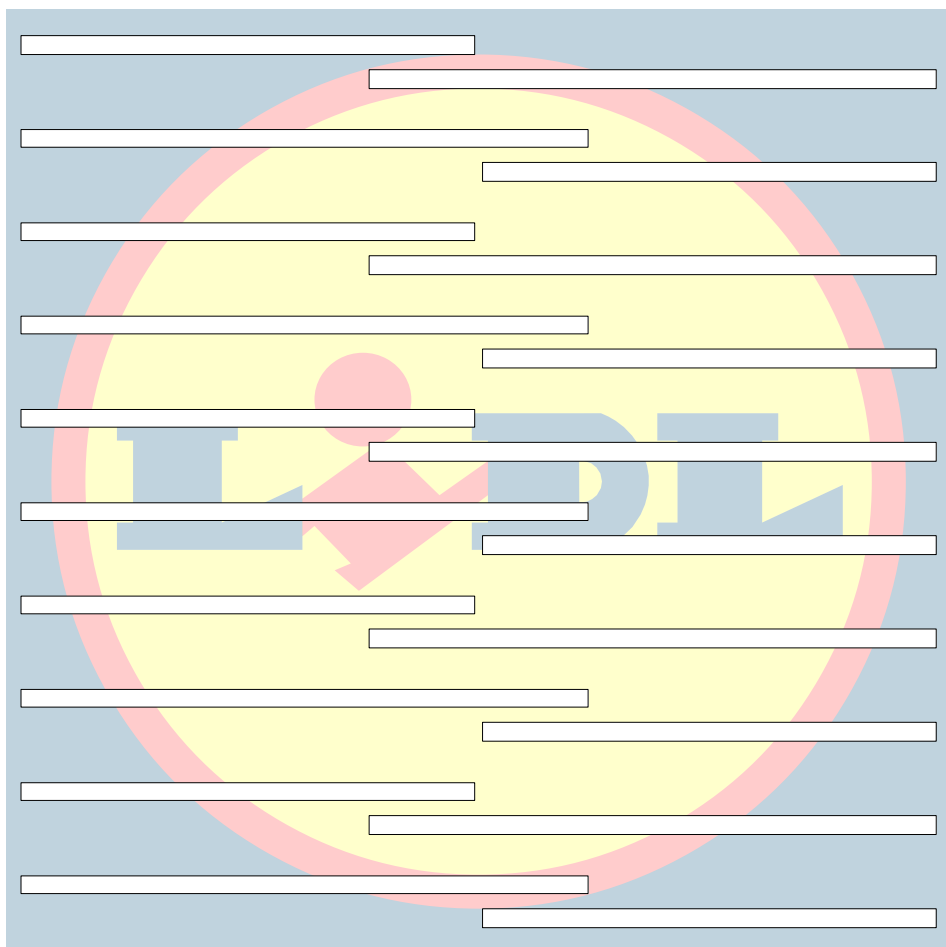


LIDL LOGO SIGN
1:20



LIDL LOGO SIGN ILLUMINATION
1:20

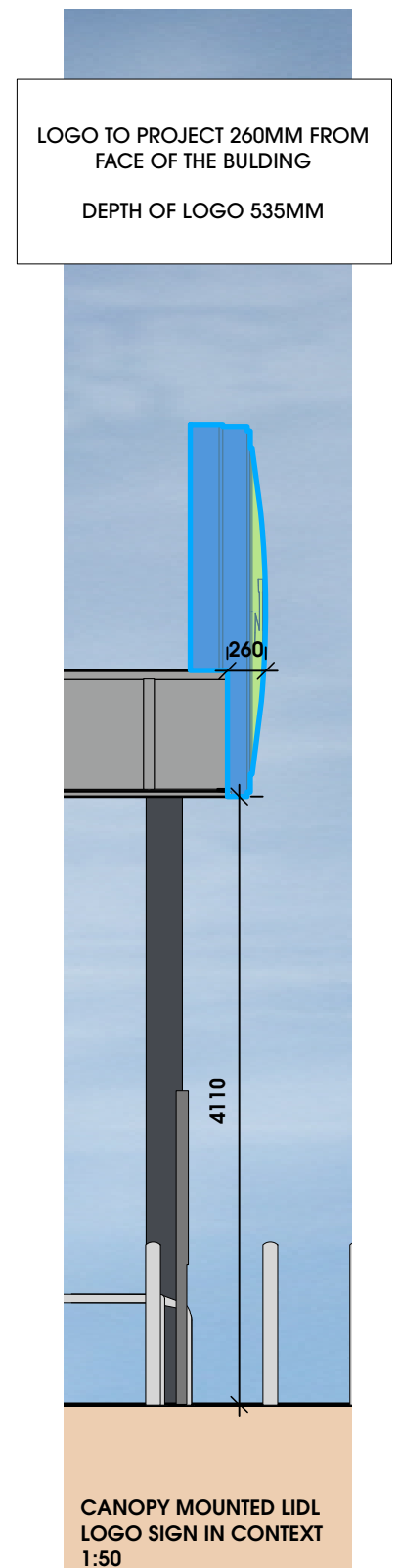
LIDL LOGO SIGN
ALUMINIUM DOUBLE SIDED LIGHT BOX. INTERNALLY ILLUMINATED WITH WHITE FLUORESCENT TUBES. FACE PANEL CONSTRUCTED OF 5mm OPAL ACRYLIC 40% LIGHT TRANSMISSION WITH LIDL BUBBLE SIGNAGE LOGO GRAPHIC APPLIED TO BOTH FACES.
COLOURS; BLUE RAL 5010, RED RAL 3020, YELLOW RAL 1021.

LIGHTING SPECIFICATION
LUMINANCE (CANDELA / m² = cd/m²) OF THE ILLUMINATED SIGN FOR THE DIFFERENT COLOURS;

- BLUE SURFACE = 12-15 cd/m²
- BLUE TYPEFACE = 12-15 cd/m²
- YELLOW SURFACE = 550 cd/m²
- RED SURFACE = 85 cd/m²



CANOPY MOUNTED LIDL LOGO SIGN IN CONTEXT
1:50



CANOPY MOUNTED LIDL LOGO SIGN IN CONTEXT
1:50

Rev.	Date	Description
A	22/08/2025	HEIGHTS OF LETTERS SHOWN

htcarchitects
York Place Studio
8 Britannia Street
Leeds
LS1 2DZ
T: (0113) 244 3457
W: www.htcarchitects.co.uk
E: info@htcarchitects.co.uk

client
Lidl GB Ltd.



project
Blackmoorfoot Road
Huddersfield
drawing title
Proposed Lidl Canopy Logo
Sign Details

date March 2025
status Planning
scale 1:20 / 50 @ A3
drawn DK checked BM
job no. 2783 dwg no. P503 rev. A