

- HEALTH & SAFETY**
1. CONTRACTOR SHOULD BE AWARE OF GENERAL CONSTRUCTION RISKS TO PREVENT SLIPS, TRIPS AND FALLS AND TAKE NECESSARY PRECAUTIONS WITHOUT SPECIAL INSTRUCTION.
 2. CONTRACTOR TO PROVIDE TRENCH SUPPORTS AS APPROPRIATE AND ENSURE THAT PLANT REMAINS A SAFE DISTANCE FROM TRENCHES PRIOR TO INSTALLING DRAINAGE
 3. THE TIME THAT EXCAVATIONS ARE OPEN ON SITE SHOULD BE KEPT TO A MINIMUM AND ALL TRENCHES SHOULD BE SURROUNDED BY A BARRIER
 4. CONNECTIONS TO EXISTING SEWERS TO BE MADE BY YORKSHIRE WATER APPROVED CONTRACTOR ONLY.
 5. CONTRACTOR TO MAKE OPERATIVES AWARE OF ASSOCIATED DANGERS TO HEALTH SUCH AS LEPTOSPIROSIS (WELLS DISEASE) AND RECOMMENDED PRECAUTIONS, ADEQUATE WELFARE FACILITIES AND PROTECTIVE CLOTHING TO BE PROVIDED AS REQUIRED.
 6. UNFINISHED MANHOLES MUST BE COVERED WITH LOAD BEARING MATERIALS AND SURROUNDED WITH BARRIER.
 7. SERVICE RECORDS TO BE REFERRED TO PRIOR TO WORK COMMENCING. CONTRACTOR TO PROCEED WITH CAUTION AND SERVICES TO BE LOCATED BY HAND DIG AND PROTECTED ACCORDINGLY.
- EXCAVATION/FILL**
8. CONTRACTOR TO ENSURE RELEVANT MEASURES ARE TAKEN TO KEEP PLANT AND PEOPLE A SAFE DISTANCE FROM STEEP SLOPES DURING THE WORKS.
 9. CONTRACTOR TO ENSURE THAT PROCEDURES ARE IN PLACE TO KEEP PEOPLE A SAFE DISTANCE FROM WORKING PLANT WHERE NECESSARY.
 10. CONTRACTOR TO REFER TO GROUND INVESTIGATION REPORT FOR CONTAMINATION TESTS AND TO PROVIDE ADEQUATE WELFARE FACILITIES AND PROTECTIVE CLOTHING AS REQUIRED.

P01 PRELIMINARY ISSUE	JF	MP	10.12.2025
Issued/Revision	By	Appd	DD.MM.YYYY
	JF	MP	10.12.2025
	Dwn.	Chkd.	DD.MM.YYYY

Issue Status
S2 - FOR INFORMATION

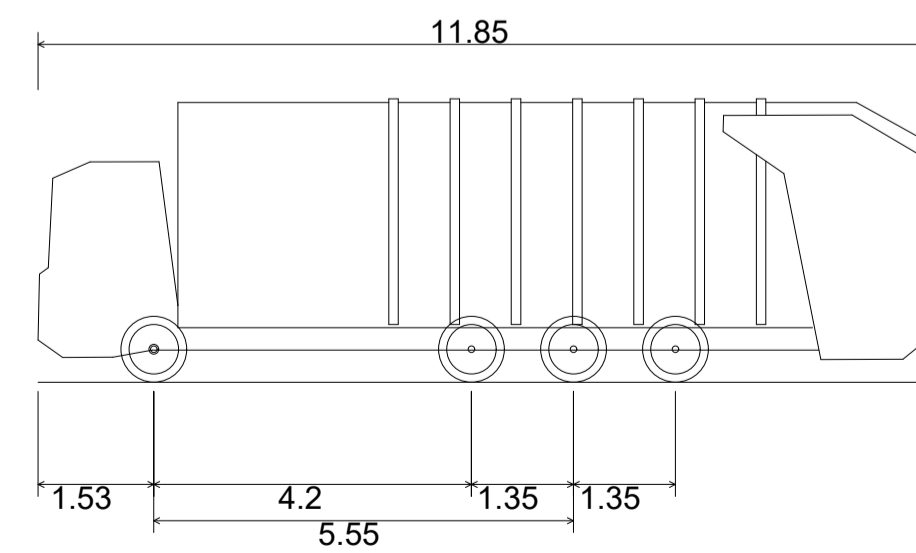
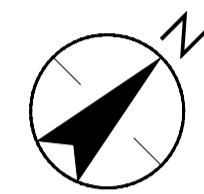
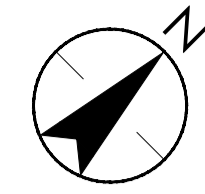
This document is suitable only for the purpose noted above. Use of this document for any other purpose is not permitted.



Client/Project
THIRTEEN GROUP
 HIGHMOOR LANE, CLECKHEATON

Title
VEHICLE TRACKING
KIRKLEES COUNCIL REFUSE

Project No.	A1 Scale
39134	1:500
Revision	Drawing No.
P1	BC0942-STA-XX-XX-D-C-7000



Kirklees Council Refuse Vehicle
 Overall Length 11.850m
 Overall Width 2.500m
 Overall Body Height 3.749m
 Min Body Ground Clearance 0.302m
 Track Width 2.490m
 Lock to lock time 6.00s
 Wall to Wall Turning Radius 11.000m

