

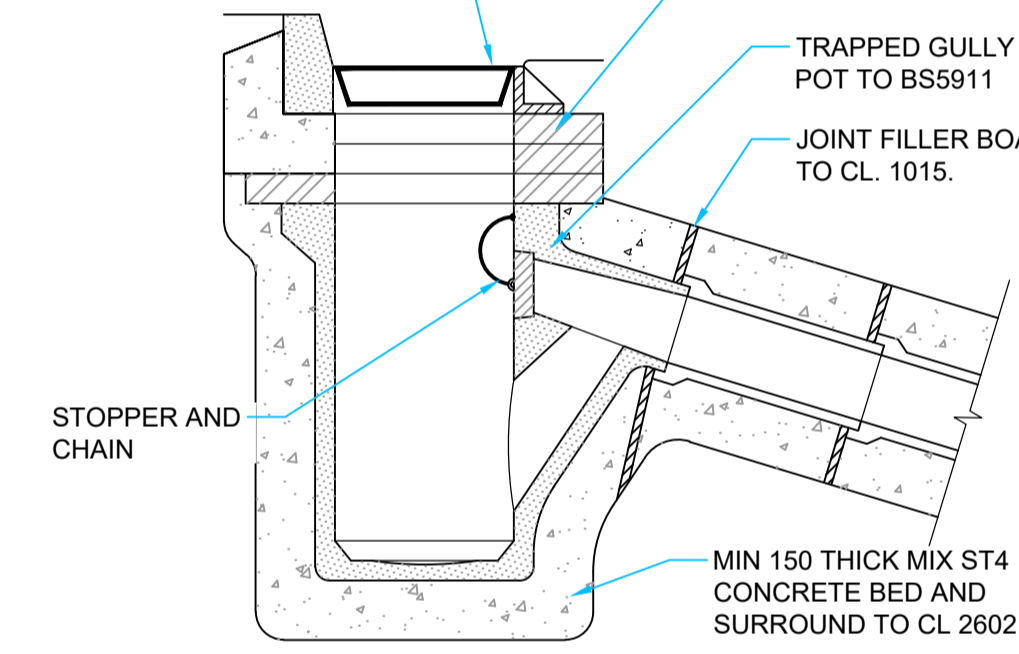
- NOTES**
1. This drawing is to be read in conjunction with all relevant architect's and engineer's drawings.
 2. It is assumed that all works will be carried out by a competent contractor working, where appropriate, to an approved method statement.
 3. See Drawing AMA-40093-D-703 for Construction details

- KEY**
- Planning boundary
 - Minor Contour (50mm Intervals)
 - Major Contour (250mm Intervals)
 - - - Proposed Gully & Lead
 - - - Existing gullies to be removed and lead retained for new connection
 - ex.G Existing gullies to be retained
 - - - Existing Highway Drainage

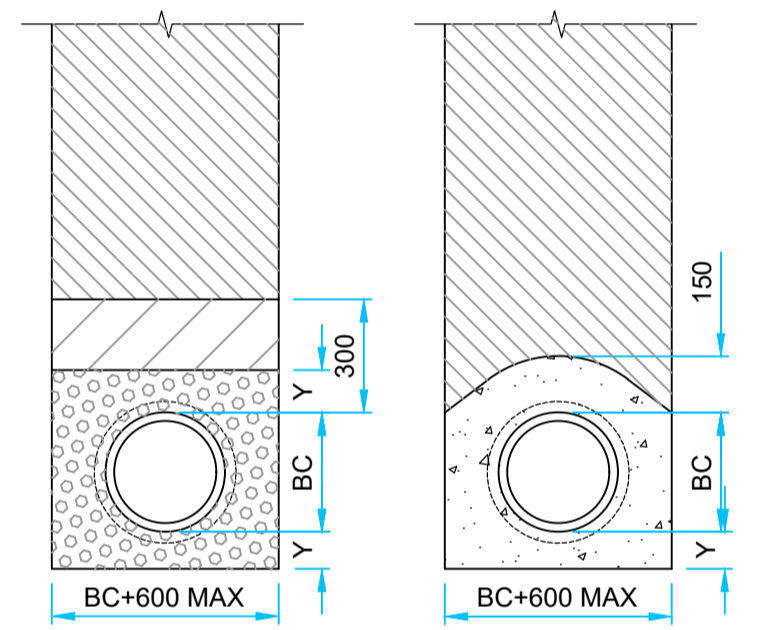
CLASS D400 GULLY GRATING AND FRAME TO BS EN124. GULLY FRAME TO BE MIN 650cm² WATERWAY AREA

2-4 COURSES OF ENGINEERING BRICKWORK TO CL.507 (VERTICAL JOINTS LEFT OPEN)

TRAPPED GULLY POT TO BS9911
JOINT FILLER BOARD TO CL. 1015.



TRAPPED CONCRETE GULLY WITH SPIGOT OUTLET (450x900)
SCALE - 1:20



PIPE BEDDING DETAILS
SCALE - 1:20

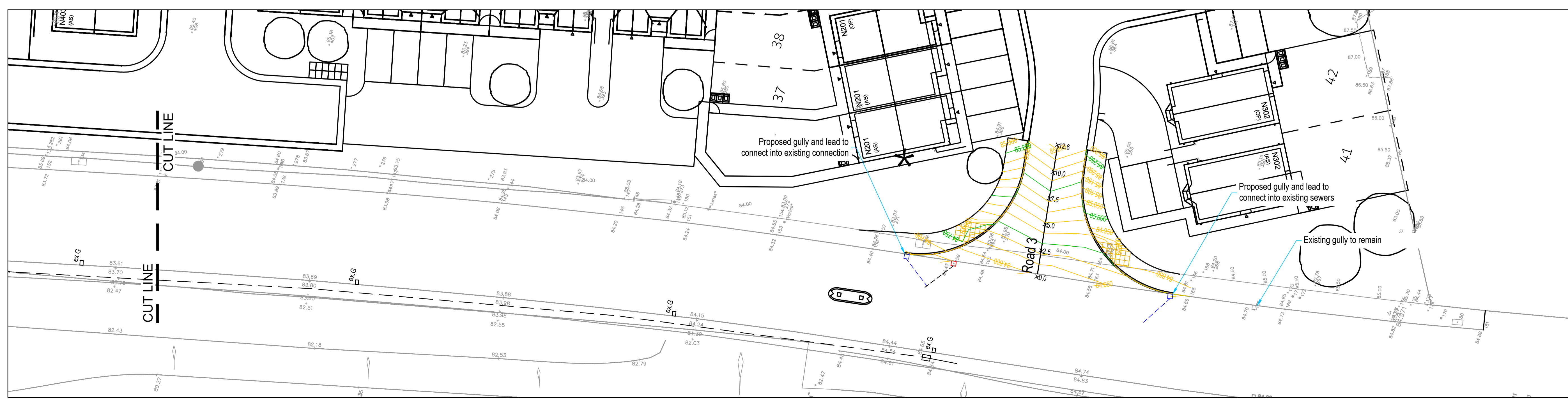
BC = OUTSIDE DIAMETER OF PIPE.
DIMENSION Y:

| CLASS | MACHINE DUG UNIFORM SOIL | ROCK OR MIXED SOILS |
|-------|--------------------------|---------------------|
| S | NOTE (i) | NOTE (ii) |
| Z | NOTE (ii) | NOTE (ii) |

(i) Y=BC/6, WITH MIN 100 UNDER BARRELS (50 FOR SLEEVE JOINTED) AND MIN 50 UNDER SOCKETS, WHICHEVER IS THE GREATER, WITH MAX OF 400.

(ii) Y=BC/4, WITH MIN 200 UNDER BARRELS (150 FOR SLEEVE JOINTED) AND MIN 150 UNDER SOCKETS, WHICHEVER IS THE GREATER, WITH A MAX OF 400.

PIPE BEDDING CLASSIFICATIONS ARE DERIVED FROM T.R.R.L. DOCUMENT 'SIMPLIFIED TABLES OF EXTERNAL LOADS ON BURIED PIPELINES.'



| REV | DESCRIPTION | DATE | BY |
|-----|---|----------|-----|
| P3 | Updated to combine Phase 1 - 2 junctions | 24/05/26 | AJA |
| P2 | Existing gully drainage shown and new gully connecting to highway drain | 14/05/23 | AJA |
| P1 | Preliminary - Initial Issue | 10/05/23 | AJA |



| | |
|--------------|------------------------------------|
| Project: | FENAY BRIDGE |
| Client: | NEWETT HOMES |
| Drawing: | S278 WORKS DRAINAGE & IRONWORKS |
| Drawn By: | AJA |
| Date: | MAY 2023 |
| Checked: | GS |
| Scale: | 1:200 |
| Drawing No.: | AMA/21312/D/500 |
| Rev: | P3 |