



NOTES

1. This drawing is to be read in conjunction with all relevant architect's and engineer's drawings.
2. It is assumed that all works will be carried out by a competent contractor working, where appropriate, to an approved method statement.
3. Where Kerbs are proposed and existing dropped kerbs are to be replaced with full height half battered kerbs please see Overbreak detail on the construction details

KEY

- Planning boundary
- Minor Contour (50mm Intervals)
- Major Contour (250mm Intervals)
- Proposed Gully & Lead

CLASS D400 GULLY GRATING AND FRAME TO BS EN124. GULLY FRAME TO BE MIN 650cm² WATERWAY AREA

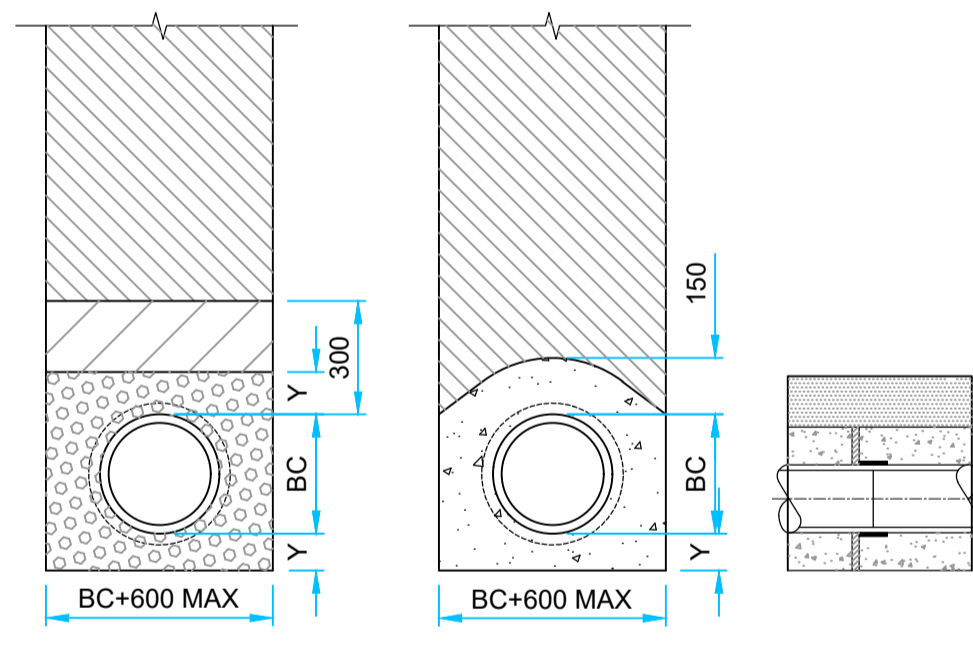
2-4 COURSES OF ENGINEERING BRICKWORK TO CL.507 (VERTICAL JOINTS LEFT OPEN)

TRAPPED GULLY POT TO BS5911
JOINT FILLER BOARD TO CL. 1015.

STOPPER AND CHAIN

MIN 150 THICK MIX ST4 CONCRETE BED AND SURROUND TO CL. 2602

TRAPPED CONCRETE GULLY WITH SPIGOT OUTLET (450x900)
SCALE - 1:20



GRANULAR BED AND SURROUND CLASS 'S' >1.2m COVER

CONCRETE BED AND SURROUND CLASS 'Z' <1.2m COVER

PIPE BEDDING DETAILS
SCALE - 1:20

BC = OUTSIDE DIAMETER OF PIPE.
DIMENSION Y:

CLASS	MACHINE DUG UNIFORM SOIL	ROCK OR MIXED SOILS
S	NOTE (i)	NOTE (ii)
Z	NOTE (ii)	NOTE (ii)

(i) Y=BC/6, WITH MIN 100 UNDER BARRELS (50 FOR SLEEVE JOINTED) AND MIN 50 UNDER SOCKETS, WHICHEVER IS THE GREATER, WITH MAX OF 400.

(ii) Y=BC/4, WITH MIN 200 UNDER BARRELS (150 FOR SLEEVE JOINTED) AND MIN 150 UNDER SOCKETS, WHICHEVER IS THE GREATER, WITH A MAX OF 400.

PIPE BEDDING CLASSIFICATIONS ARE DERIVED FROM T.R.R.L. DOCUMENT 'SIMPLIFIED TABLES OF EXTERNAL LOADS ON BURIED PIPELINES.'

Primary - Initial Issue	24/02/23	AJA
REV	DESCRIPTION	DATE BY
Project: FENAY BRIDGE		
Client: NEWETT HOMES		
Drawing: S278 WORKS DRAINAGE & IRONWORKS		
Drawn By: AJA	Date: AUG 2023	
Checked: GS	Scale: 1:200	A1
Drawing No: AMA/21312/D/500	Rev: -	