

Bryan G Hall Ltd. Registered in England & Wales Co No. 4104802

This drawing is copyright and shall not be reproduced or used for any other purpose without the written permission of the Bryan G Hall Ltd. This drawing must be read in conjunction with all other related drawings and documentation.

It is the contractor's responsibility to ensure full compliance with the Building Regulations. Do not scale from this drawing, use figured dimensions only. It is the contractor's responsibility to check and verify all dimensions on site. Any discrepancies to be reported immediately.

**IF IN DOUBT ASK**

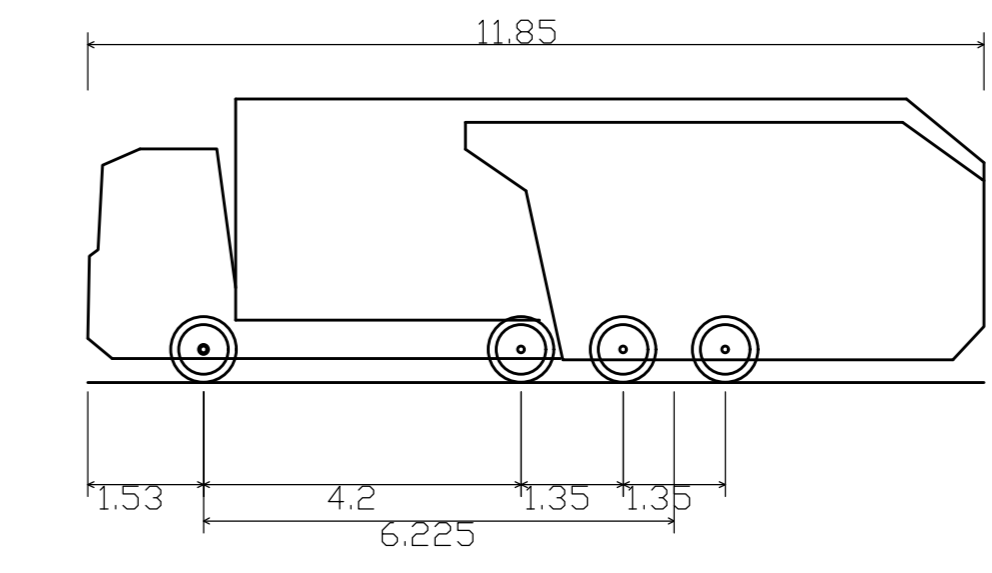
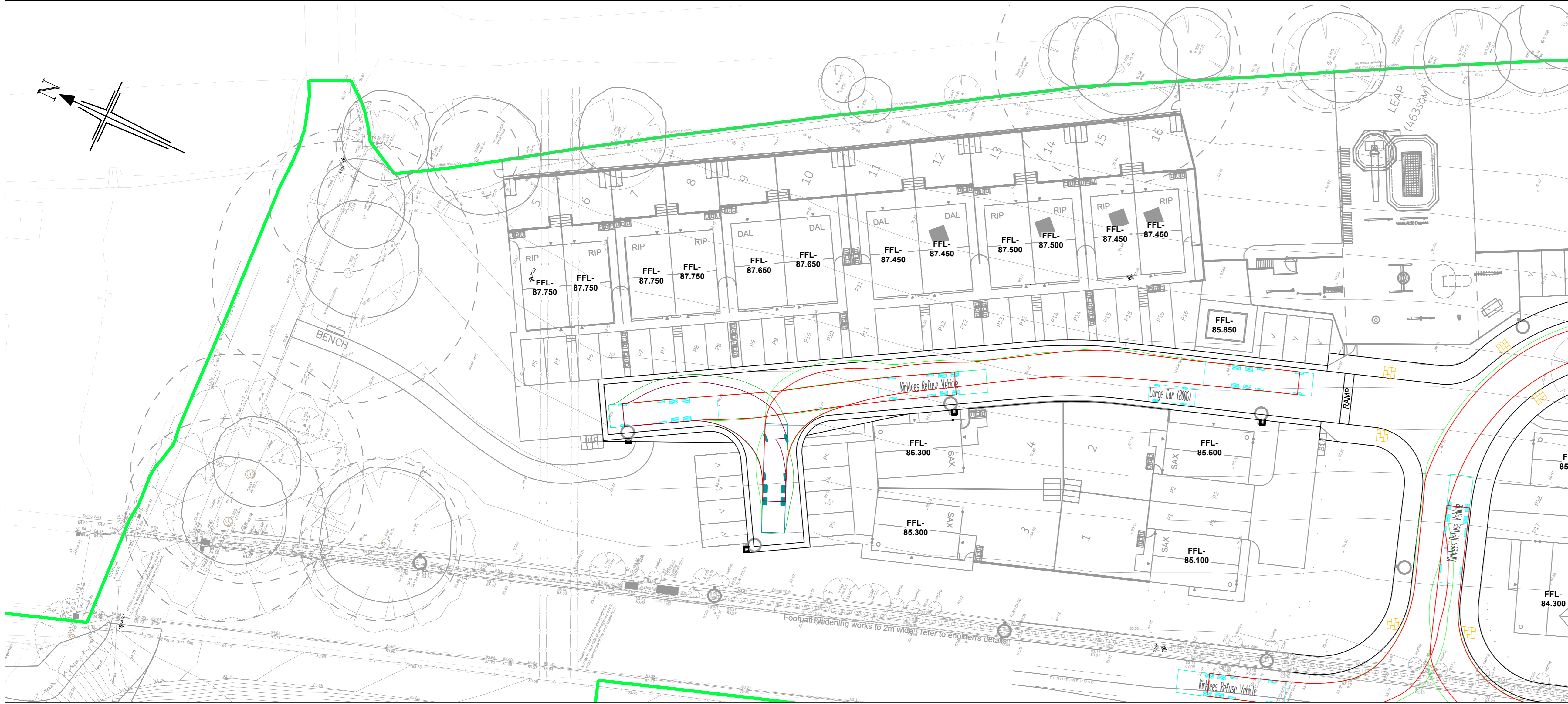
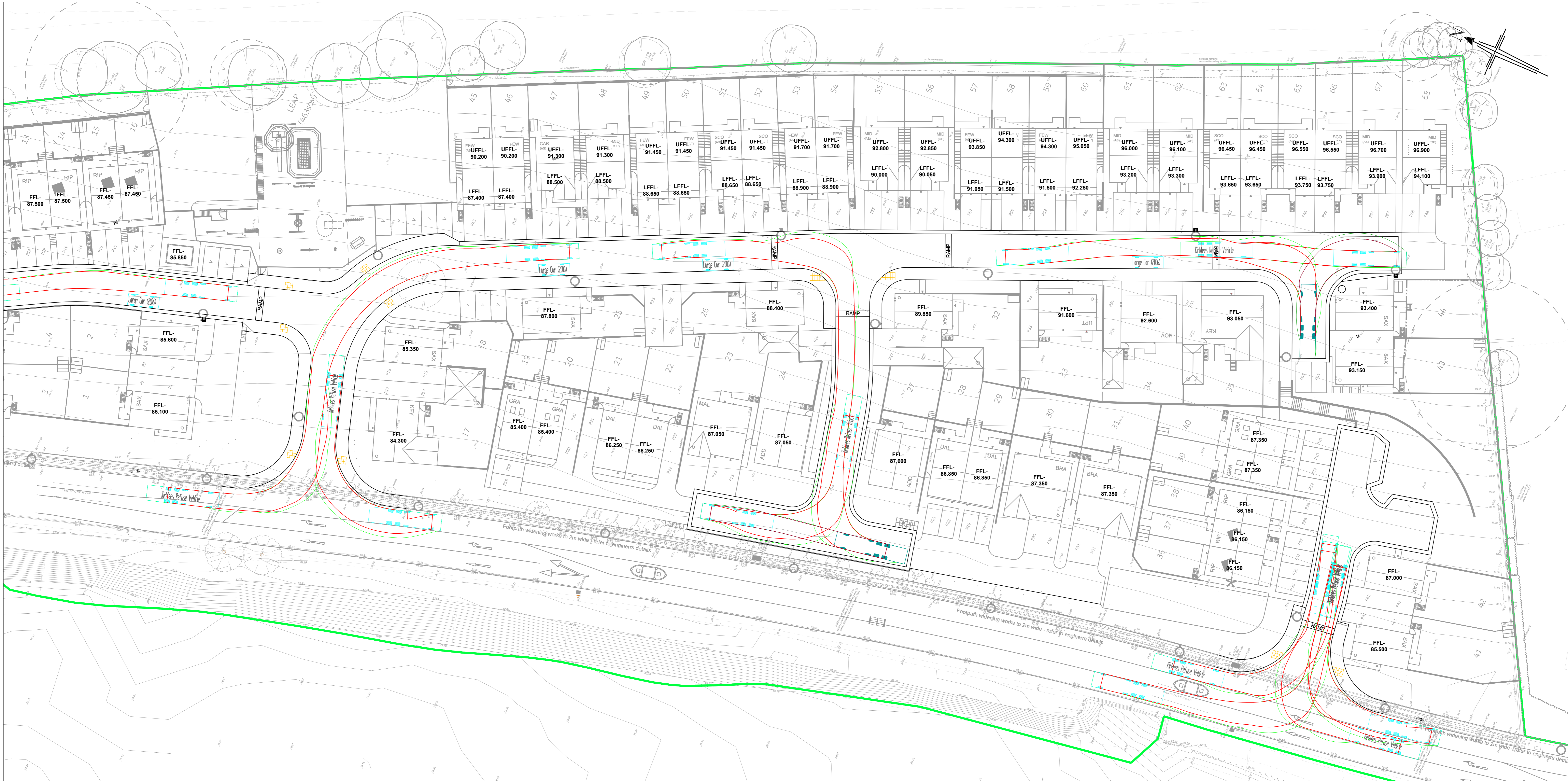
Materials not in conformity with relevant British or European Standards/Codes of practice or materials known to be deleterious to health & safety must not be used or specified on this project.

Bryan G Hall Limited has not checked or verified, and shall therefore not be liable for any inaccuracies which may be attributable to any base plan(s) reports, data or information provided by the client, or purchased by the consultant on the client's behalf, that may have been utilised within this drawing.

Bryan G Hall Limited shall not be liable for the use of this or any associated documents, for any purpose, by any person other than that for which they were provided.

It remains the client's and/or its appointed contractor's responsibility to check for any discrepancies. Any anomalies discovered must be reported immediately to Bryan G Hall Limited for verification.

The locations of utilities apparatus, if shown, have been reproduced from plans supplied to Bryan G Hall Limited. Although care has been taken when duplicating this information, these locations are approximate only. No guarantee can be given by Bryan G Hall Limited for their accuracy. It is the client or its appointed agent/contractor's responsibility to verify the exact locations on site by appropriate means prior to mechanical excavation.



Kirklees Refuse Vehicle  
 Overall Length 11.850m  
 Overall Width 2.500m  
 Overall Body Height 3.749m  
 Min Body Ground Clearance 0.302m  
 Track Width 2.490m  
 Lock to lock time 6.00s  
 Wall to Wall Turning Radius 11.000m

C	19.08.25	New site layout 2018-001 Rev T received 13.08.25 and incorporated into layout and associated details updated.	JR	NB	IE
B	28.05.25	New site layout Rev S received 28.05.25 and associated details updated.	NB	IE	
A	01.11.24	Updated following KC comments dated 25.10.24	NB	IE	
Rev:	Date:	Annotation:	DRN	CHK	APR

**BRYAN G HALL**  
 CONSULTING CIVIL & TRANSPORTATION PLANNING ENGINEERS

LEEDS | 0113 246 1355 | LONDON | 0203 5523236

Suite E15 | Josephs Well | www.bryanhall.co.uk  
 Hanover Walk | LEEDS | LS3 1AB | transport@bryanhall.co.uk

Client: Newett Homes

Status:  Approved  Issued  For Construction

Scale: 1:250  
 Size: A0 - 1189 x 841 | Drawn: JH | Check: NB | Appr: IE

Project: Residential Development  
 Penistone Road, Fenay Bridge

Title: Swept Path Analysis of Refuse Vehicle

Drawing No: 22/49/1100/004 | Revision: C  
 Job No: 22-491 | Date: 14.10.24

smas | CHAS | twitter.com/Bryanhall | Bryan G Hall  
 Copyright Reserved Bryan G Hall Ltd.