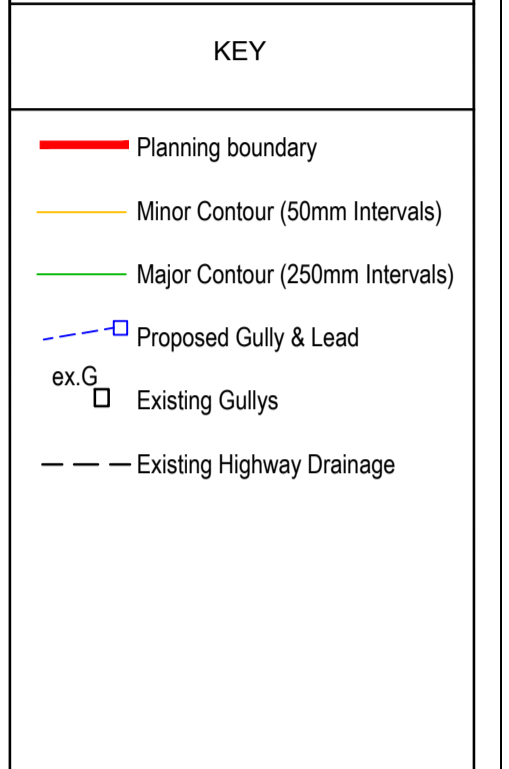


NOTES

1. This drawing is to be read in conjunction with all relevant architect's and engineer's drawings.
2. It is assumed that all works will be carried out by a competent contractor working, where appropriate, to an approved method statement.
3. See Drawing AMA-40093-D-703 for Construction details



CLASS D400 GULLY GRATING AND FRAME TO BS EN124. GULLY FRAME TO BE MIN 650cm² WATERWAY AREA

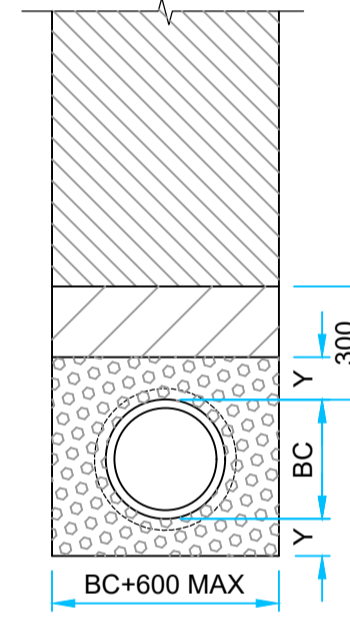
2-4 COURSES OF ENGINEERING BRICKWORK TO CL.507 (VERTICAL JOINTS LEFT OPEN)

TRAPPED GULLY POT TO BS9911
JOINT FILLER BOARD TO CL. 1015.

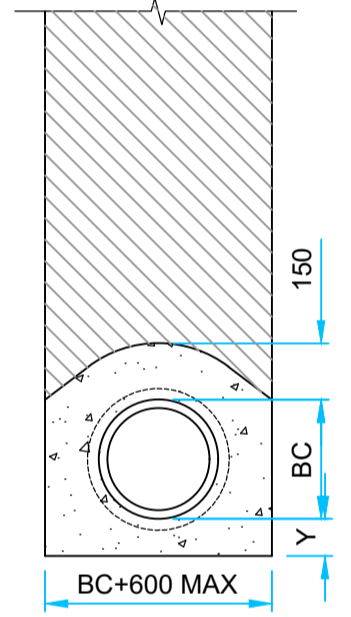
STOPPER AND CHAIN

MIN 150 THICK MIX ST4 CONCRETE BED AND SURROUND TO CL 2602

TRAPPED CONCRETE GULLY WITH SPIGOT OUTLET (450x900)
SCALE - 1:20



GRANULAR BED AND SURROUND CLASS 'S' >1.2m COVER



CONCRETE BED AND SURROUND CLASS 'Z' <1.2m COVER

PIPE BEDDING DETAILS
SCALE - 1:20

BC = OUTSIDE DIAMETER OF PIPE.
DIMENSION Y:

CLASS	MACHINE DUG UNIFORM SOIL	ROCK OR MIXED SOILS
S	NOTE (i)	NOTE (ii)
Z	NOTE (ii)	NOTE (ii)

(i) Y=BC/6, WITH MIN 100 UNDER BARRELS (50 FOR SLEEVE JOINTED) AND MIN 50 UNDER SOCKETS, WHICHEVER IS THE GREATER, WITH MAX OF 400.

(ii) Y=BC/4, WITH MIN 200 UNDER BARRELS (150 FOR SLEEVE JOINTED) AND MIN 150 UNDER SOCKETS, WHICHEVER IS THE GREATER, WITH A MAX OF 400.

PIPE BEDDING CLASSIFICATIONS ARE DERIVED FROM T.R.R.L. DOCUMENT 'SIMPLIFIED TABLES OF EXTERNAL LOADS ON BURIED PIPELINES.'

REV	DESCRIPTION	DATE	BY
P2	Access gradient changed to 1:25	09/04/24	AJA
P1	Existing highway drainage shown and new gully connected to 102m spot	14/09/23	AJA
-	Preliminary - Initial Issue	10/02/23	AJA



Project: **FENAY BRIDGE**

Client: **NEWETT HOMES**

Drawing: **S278 WORKS DRAINAGE & IRONWORKS**

Drawn By: **AJA** Date: **MAY 2023**

Checked: **GS** Scale: **1:200** A1

Drawing No: **AMA/21312/D/500** Rev: **P2**