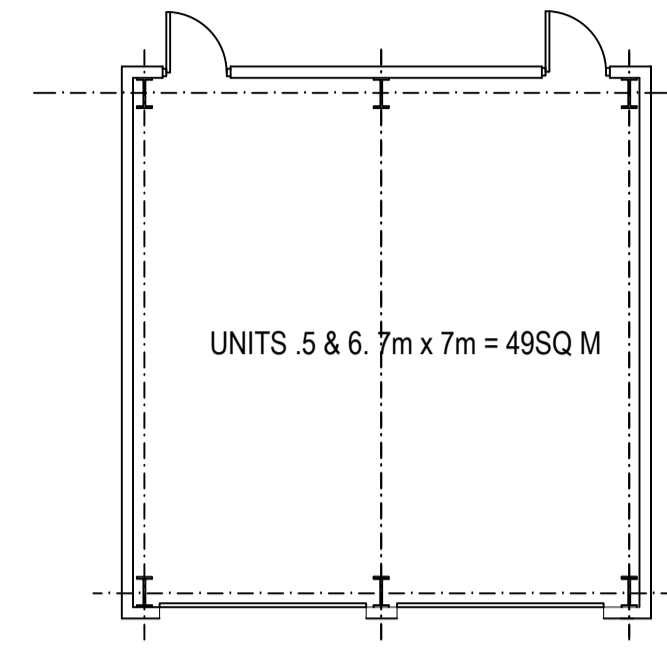
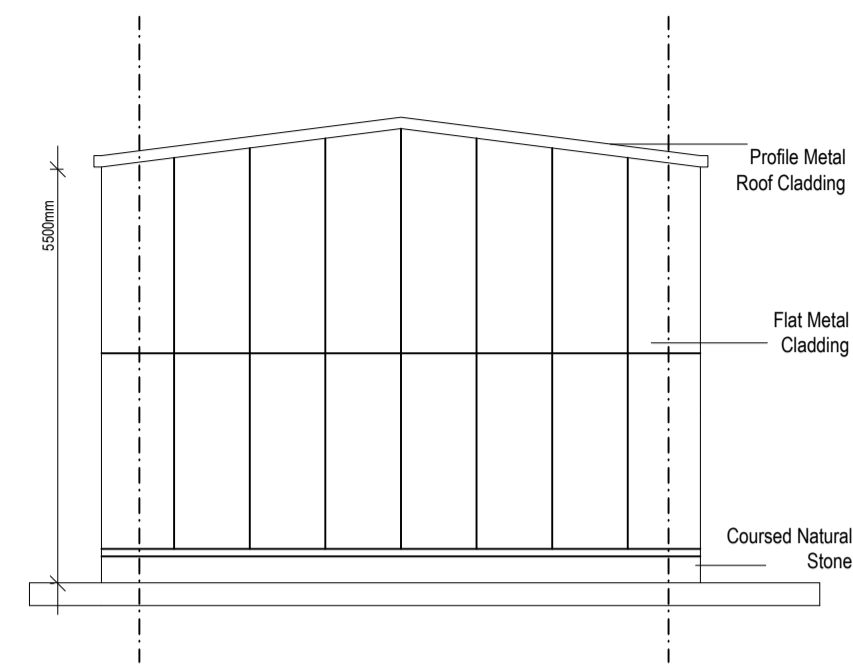


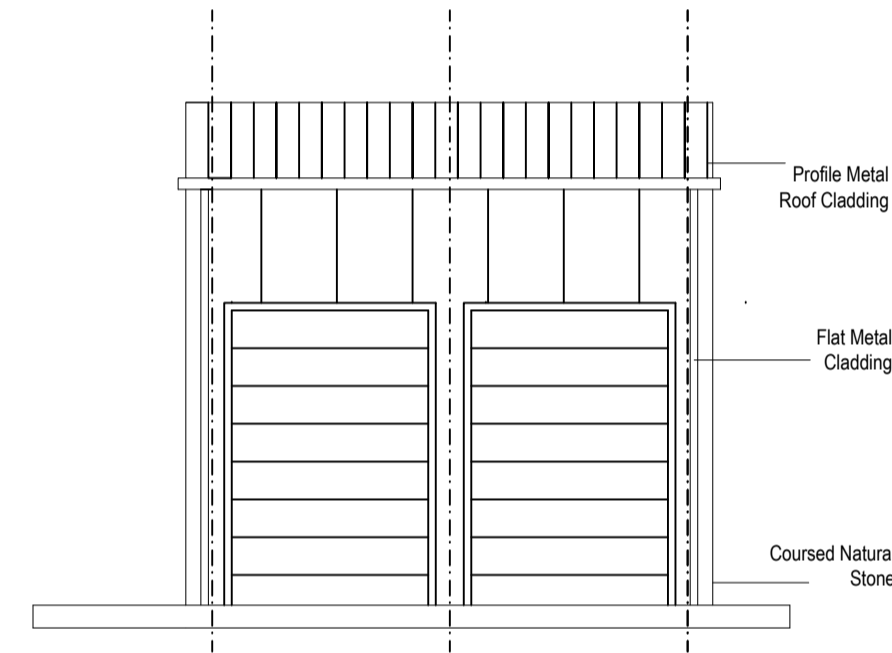
IF IN ANY DOUBT PLEASE ASK THE ARCHITECT FOR CLARIFICATION.
 DO NOT SCALE FROM DRAWING. ALL DIMENSIONS TO BE CHECKED ON SITE.
 THE COPYRIGHT FOR THESE DRAWINGS REMAINS THE PROPERTY OF THE ARCHITECT.
 THEY MUST NOT BE REPRODUCED IN ANY WAY WITHOUT THE ARCHITECT'S PRIOR
 WRITTEN CONSENT.



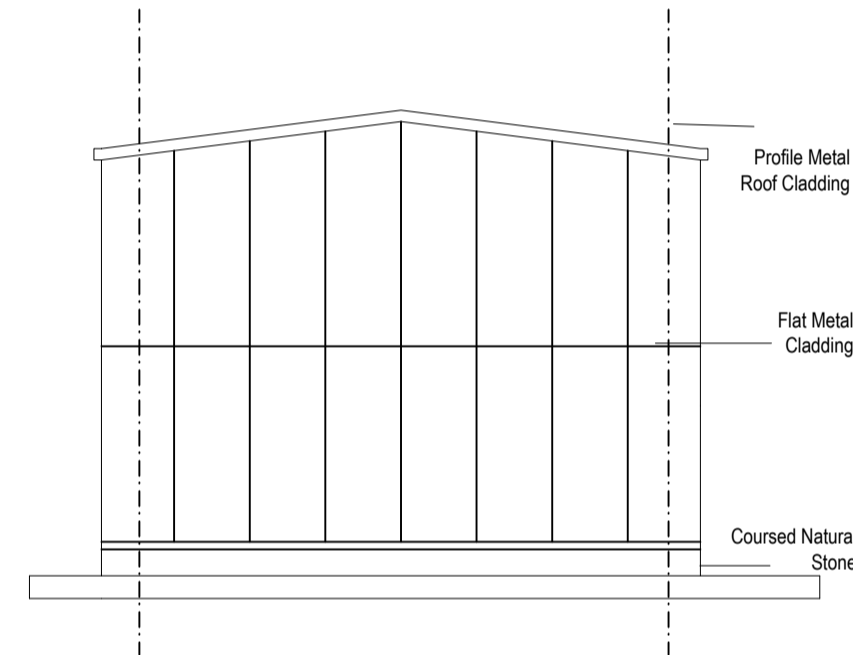
PROPOSED FLOOR PLAN



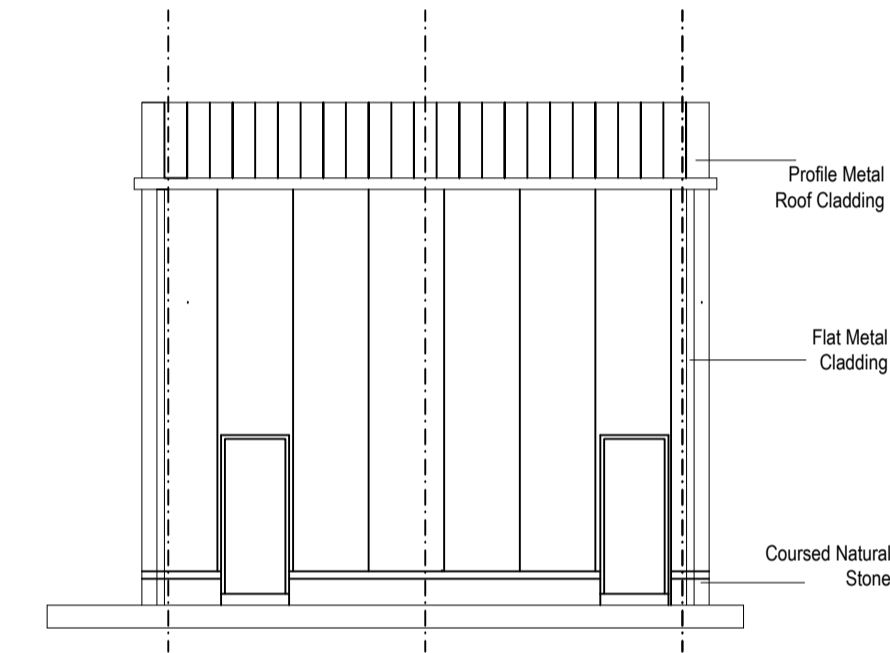
PROPOSED GABLE ELEVATION



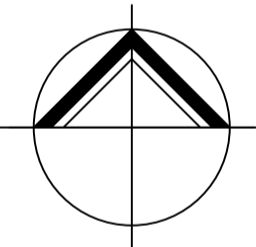
PROPOSED FRONT ELEVATION



PROPOSED GABLE ELEVATION



PROPOSED REAR ELEVATION



**NORTHERN
 DESIGN**

(OLDHAM)
 CHARTED ARCHITECTS

NORTHERN DESIGN
 17 STATION LANE
 GROTTON
 OLDHAM
 OL4 5GY
 TELEPHONE : 07753 859616

CLIENT
 PORTFOLIO PARTNERS

PROJECT
 PROPOSED DEVELOPMENT
 THE OLD BAKEHOUSE
 NABS LANE SLAITHWAITE

DRAWING TITLE
 PROPOSED PLANS AND ELEVATIONS

Rev.	Notes	Date	Drawn
*	*	*	*

SCALE 1:100 AT A1 04.24 AD

PROJECT No.	DRAWING No.	Rev.
2413	07	-