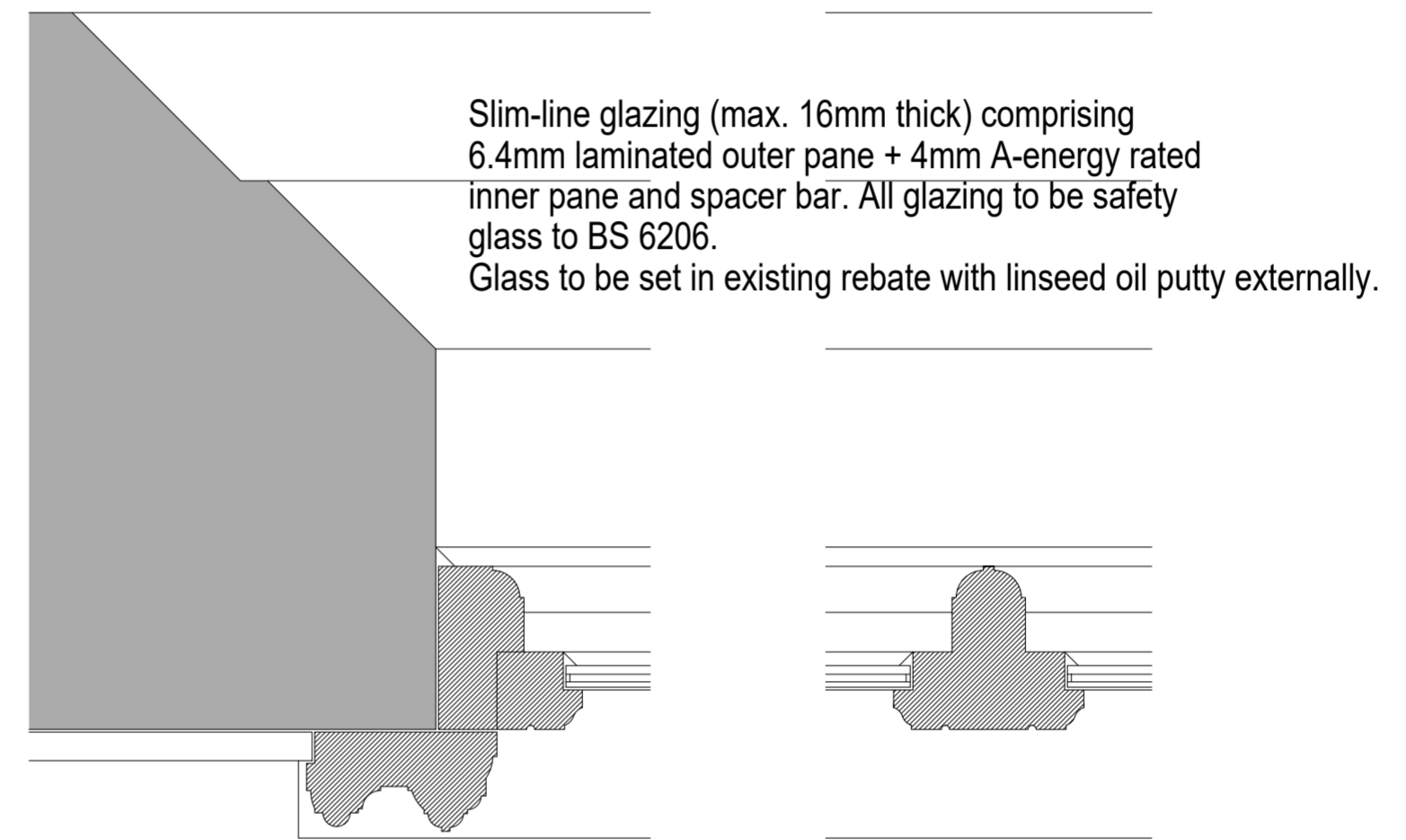


Typical Window (All Fixed Lights)
Horizontal Section 1:5 - Existing



Typical Window (All Fixed Lights)
Horizontal Section 1:5 - Proposed

PROJECT Replacement Glazing to West Riding Refreshment Rooms, Dewsbury			
CLIENT Beerhouses			
SUBJECT Window Details			
SCALE 1:5 @ A2	DRAWN SB	DRAWING NO. 23-016-02	REV. -
DATE 15-01-2024			

SBP
ARCHITECT

46 Jenkin Road
Horbury
Wakefield
West Yorkshire
WF4 6DT
TEL: (01924) 277356
designs@sbp-architects.co.uk